

Datasheet

SMA Antenna 4dBi 868 MHz

Part No: 200151



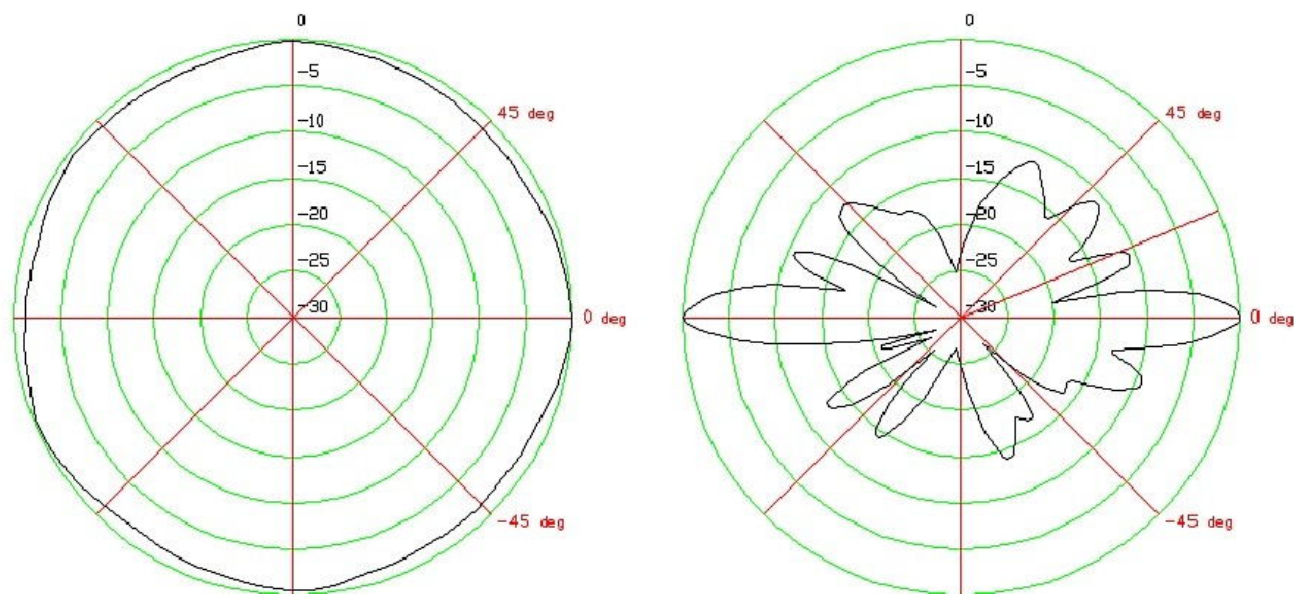
Electrical Specifications

Frequency Range	865...924 MHz
Horizontal Beamwidth	360°
Vertical Beamwidth	30°
Impedance	50 Ω
Gain	4 dBi
VSWR	<1.5
Maximum input power	20 W

Mechanical Specifications

Connector	SMA
Antenna Height	170mm
Weight	20g
Color	Black
Operating temperature	-40°C~+80°C

Radiation Pattern



Published by
Loxone Electronics GmbH
Smart Home 1
4154 Kollerschlag
Austria
Tel: +43 7287 7070-0
loxone.com

Loxone UK
The Forum
Station Road
Theale, RG7 4RA
United Kingdom