

PRODUCT DATA SHEET

A) SPECIFICATIONS

- 1 SEB calibrated double saddle
P.P. black +20% GF
- 2 Threaded bar - BFI M8 (SS)
- 3 Washers (SS)
- 4 Hexagonal Nuts M8 (SS)
- 5 Compact Clamp MIM 8/25 (SS)

B) RESISTANCE TESTS

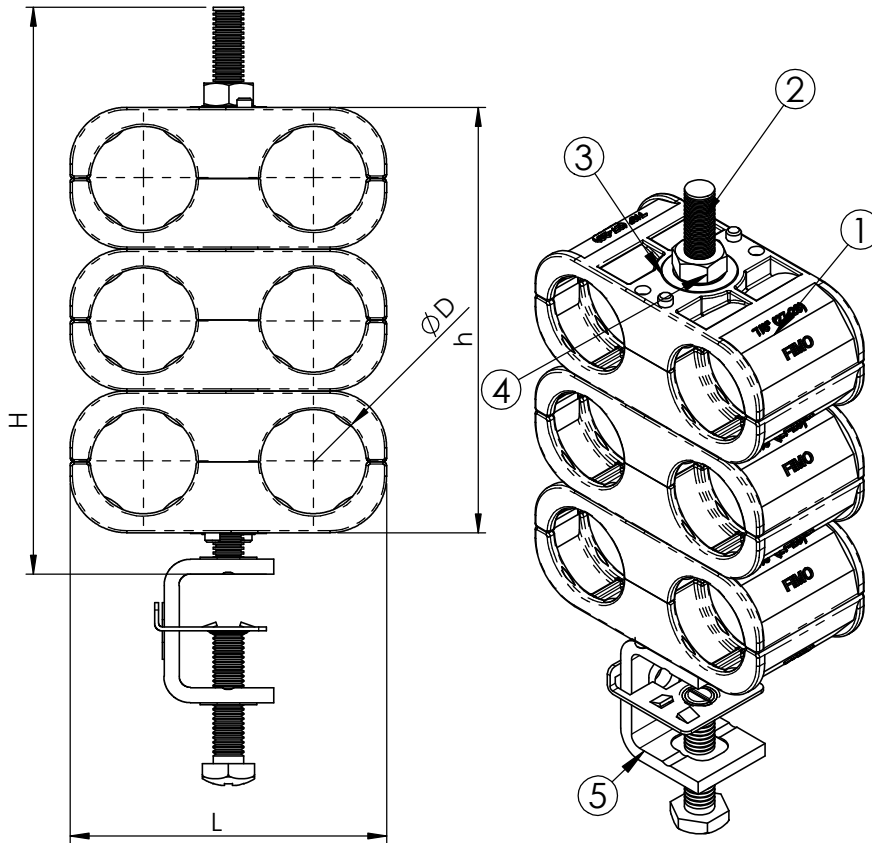
- UV Test BS-ISO 105-B06
Vibration test conforming to UNI 60068-2-6
Operating temperature: -40°C +85°C

C DELIVERY MODALITIES

- Packing in boxes.
Label indicating:
product code, article, quantity,
production batch,
FIMO logo and figure.
(Customer code on request).



D) MOUNTING INSTRUCTIONS

- on request



CODE	ARTICLE	ø D	L	h	H	BOX	WEIGHT
61 1566 0608	UMC 6x8	7 - 8	51	60	100	20	199
61 1566 0609	UMC 6x9	8 - 9	51	60	100	20	199
61 1566 0611	UMC 6x11	10 - 11	51	60	100	20	199
61 1566 0613	UMC 6x13	12 - 13	60	81	125	20	240
61 1566 0614*	UMC 6x1/2"S*	13 - 14	60	81	125	20	240
61 1566 0612	UMC 6x1/2" (17)	16 - 17	60	81	125	20	240
61 1566 0658	UMC 6x5/8" (23)	21 - 23	84	111	150	20	325
61 1566 0678	UMC 6x7/8" (28)	27 - 28	84	111	150	20	325
61 1566 6114	UMC 6x1.1/4" (40)	39 - 40	108	162	200	20	393
61 1566 6158	UMC 6x1.5/8" (52)	50 - 52	133	198	250	20	474

article	UMC 6
---------	--------------

RI	DATE	DR	DATE	AP	Description:
02					Universal cable clamps with MIM 8/25 compact clamp. For 6 coaxial cables, complete with 2 calibrated saddles. For articles see schedule.
01					
00	31/03/16	G.S.	31/03/16	A.V.	
1 ST EMISSION					
					
Use:					Fastening of 6 coaxial cables on flat, round, angular