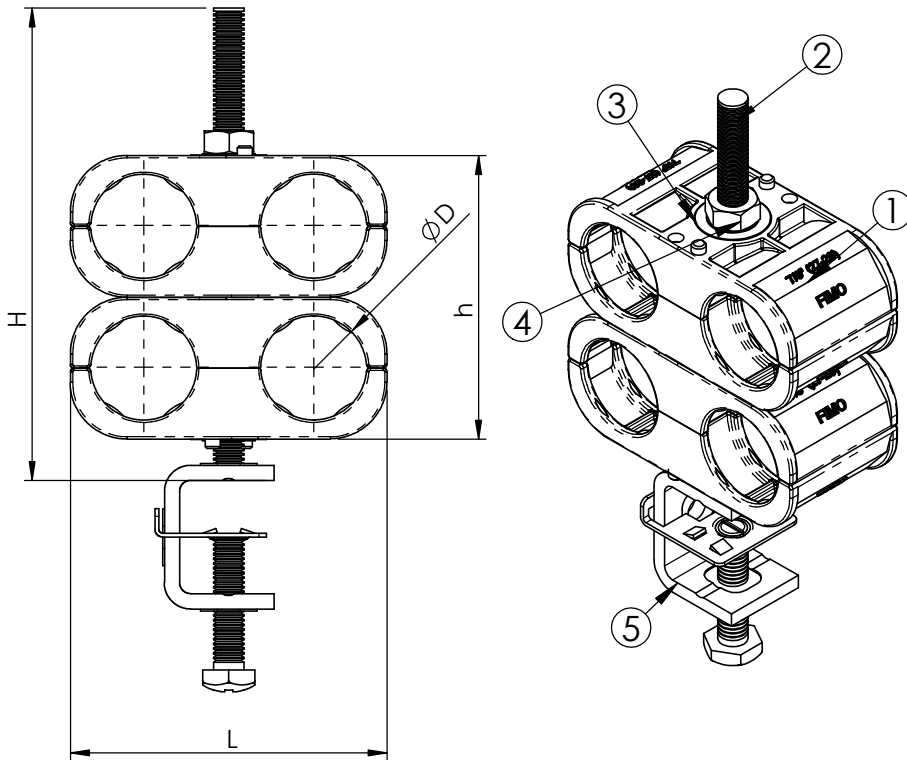


PRODUCT DATA SHEET



A) SPECIFICATIONS

- 1 SEB calibrated double saddle
P.P. black
- 2 Threaded bar - BFI M8 (SS)
- 3 Washers (SS)
- 4 Hexagonal Nuts M8 (SS)
- 5 Compact Clamp MIM 8/25 (SS)

B) RESISTANCE TESTS

- UV Test BS-ISO 105-B06
- Vibration test conforming to UNI 60068-2-6
- Operating temperature: -40°C +85°C

C DELIVERY MODALITIES

- Packing in boxes.
- Label indicating:
product code, article, quantity,
production batch,
FIMO logo and figure.
(Customer code on request).

D) MOUNTING INSTRUCTIONS

on request

CODE	ARTICLE	ø D	L	h	H	BOX	WEIGHT
61 1566 0408	UMC 4x8	7 - 8	51	40	75	20	168
61 1566 0409	UMC 4x9	8 - 9	51	40	75	20	168
61 1566 0411	UMC 4x11	10 - 11	51	40	75	20	168
61 1566 0413	UMC 4x13	12 - 13	60	54	100	20	195
61 1566 0414*	UMC 4x1/2"S*	13 - 14	60	54	100	20	195
61 1566 0412	UMC 4x1/2" (17)	16 - 17	60	54	100	20	195
61 1566 0458	UMC 4x5/8" (23)	21 - 23	84	74	125	20	195
61 1566 0478	UMC 4x7/8" (28)	27 - 28	84	74	125	20	267
61 1566 4114	UMC 4x1.1/4" (40)	39 - 40	108	108	150	20	312
61 1566 4158	UMC 4x1.5/8" (52)	50 - 52	133	132	200	20	312

article

UMC 4

RI	DATE	DR	DATE	AP	Description:
02					Universal cable clamps with MIM 8/25 compact clamp. For 4 coaxial cables, complete with 2 calibrated saddles. For articles see schedule.
01					
00	31/03/16	G.S.	31/03/16	A.V.	
1 ST EMISSION					
Use:					Fastening of 4 coaxial cables on flat, round, angular

FI.MO.TEC. S.p.a. reserves the right to modify the technical specifications without prior notice, according to the technical progress
Copyright FI.MO.TEC. S.p.a. All rights reserved.