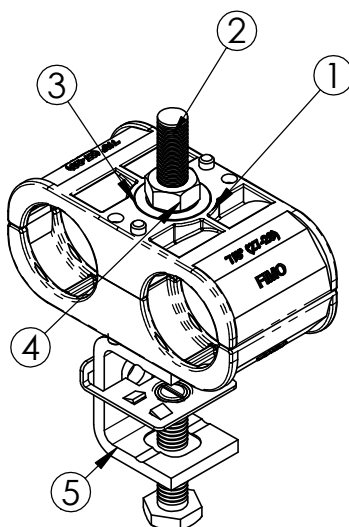
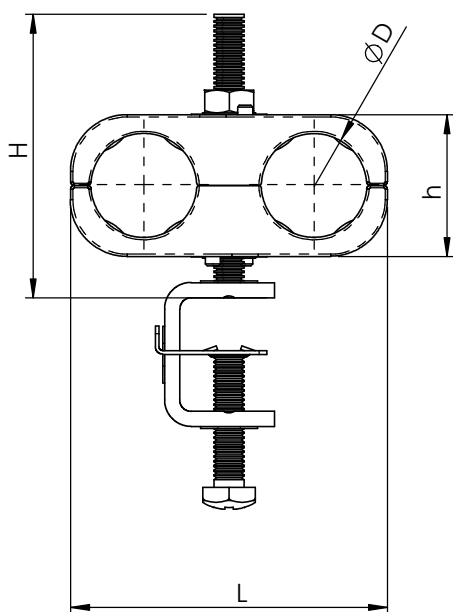


PRODUCT DATA SHEET



A) SPECIFICATIONS

- 1 SEB calibrated double saddle
P.P. black
- 2 Threaded bar - BFI M8 (SS)
- 3 Washers (SS)
- 4 Hexagonal Nuts M8 (SS)
- 5 Compact Clamp MIM 8/25 (SS)

B) RESISTANCE TESTS

UV Test BS-ISO 105-B06
Vibration test conforming to UNI 60068-2-6
Operating temperature: -40°C +85°C

C) DELIVERY MODALITIES

Packing in boxes.
Label indicating:
product code, article, quantity,
production batch,
FIMO logo and figure.
(Customer code on request).

D) MOUNTING INSTRUCTIONS

on request

CODE	ARTICLE	ø D	L	h	H	BOX	WEIGHT
61 1566 0208	UMC 2x8	7 - 8	51	20	50	20	145
61 1566 0209	UMC 2x9	8 - 9	51	20	50	20	145
61 1566 0211	UMC 2x11	10 - 11	51	20	50	20	145
61 1566 0213	UMC 2x13	12 - 13	60	27	75	20	158
61 1566 0214*	UMC 2x1/2"S*	13 - 14	60	27	75	20	158
61 1566 0212	UMC 2x1/2" (17)	16 - 17	60	27	75	20	158
61 1566 0258	UMC 2x5/8" (23)	21 - 23	84	37	75	20	199
61 1566 0278	UMC 2x7/8" (28)	27 - 28	84	37	75	20	199
61 1566 2114	UMC 2x1.1/4" (40)	39 - 40	108	54	100	20	231
61 1566 2158	UMC 2x1.5/8" (52)	50 - 52	133	66	100	20	240

article **UMC 2**

RI	DATE	DR	DATE	AP	Description:
02					Universal cable clamps with MIM 8/25 compact clamp. For 2 coaxial cables, complete with 2 calibrated saddles. For articles see schedule.
01					
00	31/03/16	G.S.	31/03/16	A.V.	
1 ST EMISSION					
Use:					Fastening of 2 coaxial cables on flat, round, angular