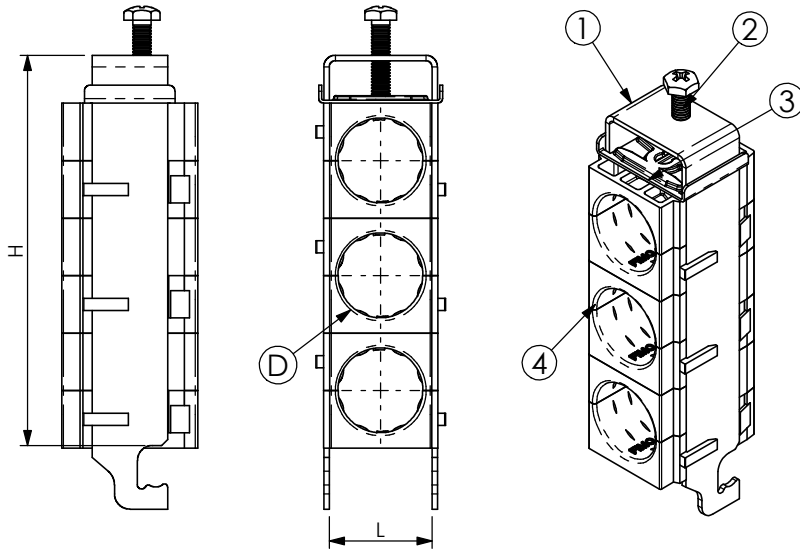


PRODUCT DATA SHEET



A) SPECIFICATIONS

- 1 Stainless steel bow
Hooking onsection 40x22,
flat and round 3-12mm
- 2 Self-locking pressure screw M6
- 3 Stainless steel sliding pressure plate.
- 4 SAS black P.A. fiberglass saddles

B) RESISTANCE TESTS

UV Test BS-ISO 105-B06
Vibration test conforming to UNI 60068-2-6
Operating temperature: -30°C +120°C



C) PACKAGING INFORMATION

Packing in boxes.
Label indicating:
product code, article, quantity,
production batch,
FIMO logo and figure.
(Customer code on request).

D) MOUNTING INSTRUCTIONS

IST026

CODE	ARTICLE	ø D	L	H	BOX	WEIGHT
61 1558 0306	sRF E/ 3x6	5 - 6	12	49	50	75
61 1558 0307	sRF E/ 3x7	6 - 7	12	49	50	75
61 1558 0308	sRF E/ 3x8	7 - 8	12	49	50	75
61 1558 0309	sRF E/ 3x9	8 - 9	12	49	50	75
61 1558 0391	sRF E/ 3x9 M	9 - 10	12	49	50	75
61 1558 0310	sRF E/ 3x10	10 - 11	12	49	50	75
61 1558 0311	sRF E/ 3x11	10 - 11	22	91	50	137
61 1558 0312	sRF E/ 3x12	11 - 12	22	91	50	137
61 1558 0313	sRF E/ 3x13	12 - 13	22	91	50	130
61 1558 0314	sRF E/ 3x1 1/2" S (14)	13 - 14	22	91	50	140
61 1558 0338	sRF E/ 3x3 3/8" (16)	15 - 16	22	91	50	131
61 1558 0312	sRF E/ 3x1 1/2" (17)	16 - 17	22	91	50	130
61 1558 0358	sRF E/ 3x5 3/8" (23)	21 - 23	34	128	50	276
61 1558 0327	sRF E/ 3x7 3/8" S (27)	26 - 27	34	128	50	231
61 1558 0378	sRF E/ 3x7 3/8" (28)	27 - 28	34	128	50	231
61 1558 3178	sRF E/ 3x7 3/8" M (30)	29 - 30	34	128	50	219
61 1558 3118	sRF E/ 3x1.1 3/8" (38)	36 - 38	46	165	50	363
61 1558 3114	sRF E/ 3x1.1 1/4" (40)	39 - 40	46	165	50	345
61 1558 3148	sRF E/ 3x1.5 3/8" S (49)	48 - 49	58	202	25	490
61 1558 3158	sRF E/ 3x1.5 3/8" (52)	50 - 52	58	202	25	487

RI	DATE	DR	DATE	AP	Description:	
02					Stainless cable clamps type sRF E For 3 coaxial cables, complete with 6 calibrated saddles. For articles see schedule.	
01						
00	05/10/15	G.S.	05/10/15	A.V.		
1 ST EMISSION						
						Use: Hooking of 3 coaxial cables on section 40x22, flat and round 3-12mm.