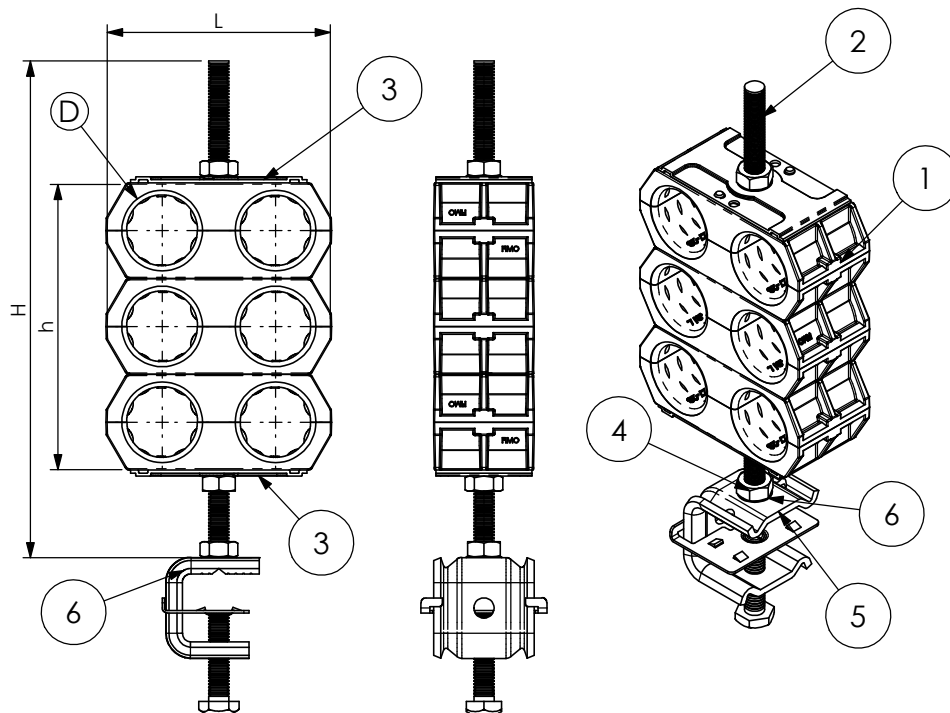


# PRODUCT DATA SHEET



## A) SPECIFICATIONS

- 1 Calibrated twin black saddles made in H.D.P.E
- 2 Stainless steel threaded bar BFI M8
- 3 Stainless steel pressure plate PRUC
- 4 Stainless steel hexagonal nut DAI 8
- 5 Stainless steel MCM 8 clamp
- 6 Stainless steel flat Washer REI 8

## B) RESISTANCE TESTS

UV Test BS-ISO 105-B06  
 Vibration test conforming to UNI 60068-2-6  
 Operating temperature: -30°C +120°C



## C) PACKAGING INFORMATION

Packing in boxes.  
 Label indicating:  
 product code, article, quantity,  
 production batch,  
 FIMO logo and figure.  
 ( Customer code on request ).

## D) MOUNTING INSTRUCTIONS

On request

| CODE         | ARTICLE              | ø D     | L   | h   | H   | BOX | WEIGHT |
|--------------|----------------------|---------|-----|-----|-----|-----|--------|
| 61 1560 0609 | UCC/ 6x9             | 8 - 9   | 56  | 125 | 63  | 20  | 265    |
| 61 1560 0611 | UCC/ 6x11            | 10 - 11 | 56  | 125 | 63  | 20  | 265    |
| 61 1560 0613 | UCC/ 6x13            | 12 - 13 | 68  | 150 | 81  | 20  | 310    |
| 61 1560 0614 | UCC/ 6x1/2" S (14)   | 13 - 14 | 68  | 150 | 81  | 20  | 310    |
| 61 1560 0638 | UCC/ 6x3/8" (16)     | 15 - 16 | 68  | 150 | 81  | 20  | 310    |
| 61 1560 0612 | UCC/ 6x1/2" (17)     | 16 - 17 | 68  | 150 | 81  | 20  | 310    |
| 61 1560 0658 | UCC/ 6x5/8" (23)     | 21 - 23 | 90  | 200 | 114 | 20  | 415    |
| 61 1560 0678 | UCC/ 6x7/8" (28)     | 27 - 28 | 90  | 200 | 114 | 20  | 415    |
| 61 1560 6114 | UCC/ 6x1.1/4" (40)   | 39 - 40 | 114 | 250 | 150 | 20  | 490    |
| 61 1560 6148 | UCC/ 6x1.5/8" S (49) | 48 - 49 | 137 | 300 | 198 | 20  | 586    |
| 61 1560 6158 | UCC/ 6x1.5/8" (52)   | 50 - 52 | 137 | 300 | 198 | 20  | 580    |

| RI   | DATE       | DR   | DATE       | AP  | Description:                      |   |
|--|------------|------|------------|---|-----------------------------------|---|
| 02   |            |      |            |   | Cable Clamp type UCC +MCM 8 Clamp |   |
| 01   |            |      |            |   |                                   |   |
| 00   | 03/11/2015 | G.S. | 03/11/2015 | A.V.  |                                   |   |
| 1 <sup>ST</sup> EMISSION   |            |      |            |   |                                   |   |
|  |            |      |            |  |                                   | Use:<br>Fastening of 6 cables on flats, rounds and angulars |