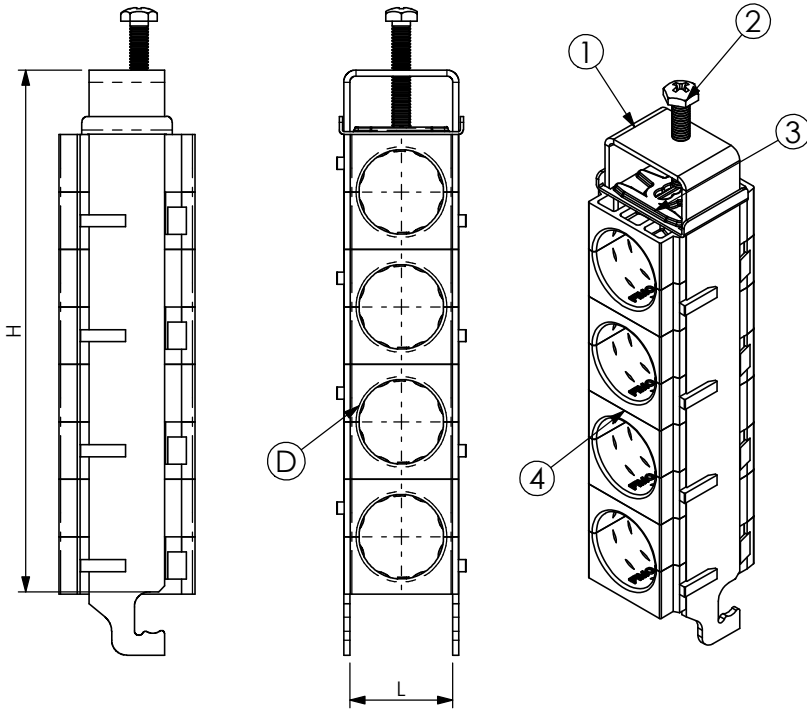


# PRODUCT DATA SHEET



**A) SPECIFICATIONS**

- 1 Stainless steel bow  
Hooking on section 40x22,  
flat and round 3-12mm
- 2 Self-locking pressure screw M6
- 3 Stainless steel sliding pressure plate.
- 4 SAS black P.A. fiberglass saddles

**B) RESISTANCE TESTS**

UV Test BS-ISO 105-B06  
Vibration test conforming to UNI 60068-2-6  
Operating temperature: -30°C +120°C

**C) PACKAGING INFORMATION**

Packing in boxes.  
Label indicating:  
product code, article, quantity,  
production batch,  
FIMO logo and figure.  
( Customer code on request ).

**D) MOUNTING INSTRUCTIONS**

IST026

CODE	ARTICLE	ø D	L	H	BOX	WEIGHT
61 1558 1411	sRF E/ 4x11	10 - 11	22	118	50	173
61 1558 1412	sRF E/ 4x1/2" (17)	16 - 17	22	118	50	166
61 1558 1478	sRF E/ 4x7/8" (28)	27 - 28	34	166	50	293

RI	DATE	DR	DATE	AP	Description:
02					Stainless cable clamps type sRF E For 4 coaxial cables, complete with 8 calibrated saddles. For articles see schedule.
01					
00	05/10/15	G.S.	05/10/15	A.V.	
1 <sup>ST</sup> EMISSION					
Use:					Hooking of 4 coaxial cables on section 40x22, flat and round 3-12mm.