



## Clamp lining for SCF12 cable

Clamp lining for SCF12 cable (usable in combination with RSB-78)

### FEATURES / BENEFITS

The clamp lining has been designed to be used in combination with the RSB-Clip RSB-78. The use of the clamp lining in combination with RSB-Clip prevents SCF12-50 Jumper cables against damage e.g. due to cable movement by wind, therefore a deterioration of the electrical properties is avoided.



### Technical Features

#### GENERAL SPECIFICATIONS

|                        |  |   |
|------------------------|--|---|
| Product Line           |  | Coaxial Cable Accessories<br>Hybrid Cable Accessories |
| Product Type           |  | Clamp Lining  |
| Transmission Line Type |  | SCF12   |
| Cable Type             |  | Superflexible Coaxial Foam Dielectric                 |

#### MECHANICAL SPECIFICATIONS

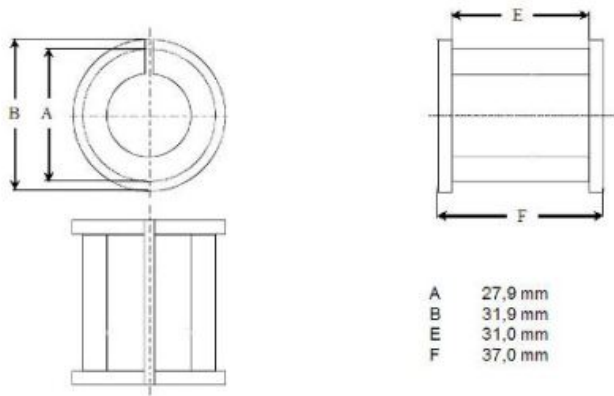
|                                  |  |             |
|----------------------------------|--|-------------|
| Cable Size                       |  | 1/2"        |
| Number of Cable / Waveguide Runs |  | 1           |
| Material                         |  | EPDM rubber |

#### ACCESSORIES

|                                 |  |  |
|---------------------------------|--|--|
| Spare Part / Useful Accessories |  | RSB-Cleat : RSB-78<br>Cleat : RSB-310<br>Anchor bar fixation : RSB-315 |
|---------------------------------|--|--|

#### PACKAGING INFORMATION

|                  |         |               |
|------------------|---------|---------------|
| Package Quantity |         | 10            |
| Weight per piece | kg (lb) | 0.019 (0.041) |
| Weight per kit   | kg (lb) | 0.19 (0.41)   |



Technical Drawing

### External Document Links

Installation Instruction  
Installation Instruction for Jumper with RSB-S12/78

### Notes

Only usable in combination with RSB-78