

A) SPECIFICATIONS

Material: EPDM
 UV resistant.
 Colour: black.

B) PACKAGING INFORMATION

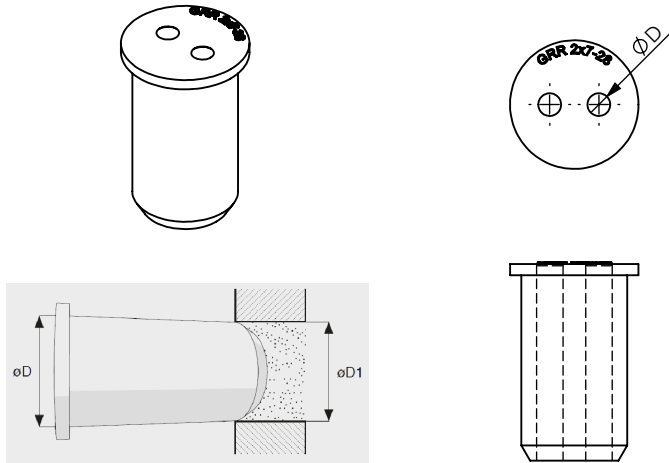
Packing in boxes.
 Label indicating:
 product code, article, quantity,
 production batch,
 FIMO logo and figure.
 (Customer code on request).

C) MOUNTING INSTRUCTIONS

On request

PLU990330	ARTICLE	ø D	ø D1	HOLES	ø d	BAG	BOX	WEIGHT
	GRR 1x 6-16	16	15÷16	1	5÷7	10	50	11
	GRR 1x 8-/11-16		15÷16	1	5÷7	10	50	11
	GRR 1x 11-16		15÷16	1	10÷12	10	50	10
	GRR 1x 13-16		15÷16	1	12÷14	10	50	9
	GRR 1x 16-28	28	26÷28	1	15÷17	10	50	40
	GRR 1x 20-28		26÷28	1	19÷21	10	50	38
	GRR 1x 22-28		26÷28	1	21÷23	10	50	37
	GRR 1x 1/4" - 40	40	38÷40	1	10÷11	10	50	61
	GRR 1x 1/2" - 40		38÷40	1	16÷17	10	50	52
	GRR 1x 7/8" - 40		38÷40	1	27÷29	10	50	30
	GRR 1x40 -50	50	48÷50	1	39÷40	10	50	40
	GRR 1x 1/4" - 62	62	60÷62	1	10÷11	10	50	100
	GRR 1x 1/2" - 62		60÷62	1	16÷17	10	50	108
	GRR 1x 7/8" - 62		60÷62	1	27÷28	10	50	142
	GRR 1x 1.1/4" - 62		60÷62	1	39÷40	10	50	100
	GRR 1x 1.5/8" - 62		60÷62	1	50÷52	10	50	54
	GRR 1x 1.1/8" - 90	90	88÷90	1	36÷38	10	50	275
	GRR 1x 1.1/4" - 90		88÷90	1	39÷40	10	50	265
	GRR 1x 1.5/8" - 90		88÷90	1	50÷52	10	50	248
	GRR 1x 2.1/4" - 90		88÷90	1	59÷60	10	50	240
	GRR 1x 62 - 90		88÷90	1	60÷62	10	50	238
	GRR 1x 3" - 90		88÷90	1	75÷77	10	50	210
	GRR 1x 62 - 100	100	89÷100	1	62	10	50	324
	GRR 1x 114 - 185	185	183÷185	1	114	10	50	-
	GRR 1x 130 - 185		183÷185	1	132	10	50	-
	GRR 1x 146 - 185		183÷185	1	146	10	50	-
	GRR 1x 169 - 185		183÷185	1	169	10	50	-

RI	DATE	DR	DATE	AP	Description:
02					GRR - Round Cushions
01					
00	07/10/2011	E.B.	07/10/2011	A.V.	
1 ST EMISSION					
					Use: Round Reduction Cushions



A) SPECIFICATIONS

Material: EPDM
UV resistant.
Colour: black.

B) PACKAGING INFORMATION

Packing in boxes.
Label indicating:
product code, article, quantity,
production batch,
FIMO logo and figure.
(Customer code on request).

C) MOUNTING INSTRUCTIONS

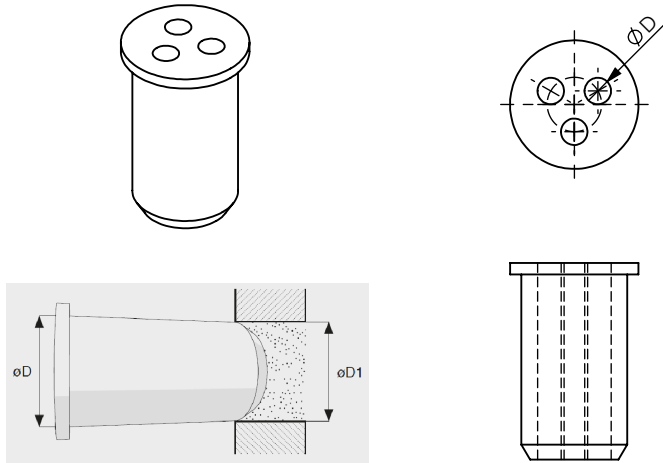
On request

	ARTICLE	ϕD	$\phi D1$	HOLES	ϕd	BAG	BOX	WEIGHT
	GRR 2x 7-28	28	26÷28	2	6÷7	10	50	37
	GRR 2x 8-28		26÷28	2	7÷8	10	50	37
	GRR 2x 11-28		26÷28	2	10÷12	10	50	35
	GRR 2x 1/4" -40	40	38÷40	2	10÷11	10	50	38
	GRR 2x 1/4" - 62	62	60÷62	2	10÷11	10	50	124
	GRR 2x 1/2" - 62		60÷62	2	16÷17	10	50	124
	GRR 2x 7/8" - 62		60÷62	2	27÷28	10	50	102

RI	DATE	DR	DATE	AP	Description:
02					GRR - Round Cushions
01					
00	18/10/17	E.B.	18/10/17	A.V.	
1 ST EMISSION					
					Use: Round Reduction Cushions

PRODUCT DATA SHEET

www.pewtronic.com



A) SPECIFICATIONS

Material: EPDM
UV resistant.
Colour: black.

B) PACKAGING INFORMATION

Packing in boxes.
Label indicating:
product code, article, quantity,
production batch,
FIMO logo and figure.
(Customer code on request).

C) MOUNTING INSTRUCTIONS

On request

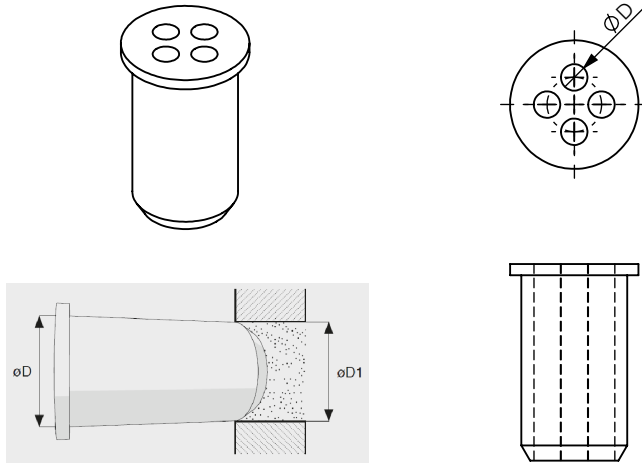
ARTICLE	ø D	ø D1	HOLES	ø d	BAG	BOX	WEIGHT
GRR 3x 1/2" - 62	62	60÷62	3	16÷17	10	50	128
GRR 3x 7/8" - 62		60÷62	3	27÷28	10	50	74

RI	DATE	DR	DATE	AP	Description:
02					GRR - Round Cushions
01					
00	07/10/2011	E.B.	07/10/2011	A.V.	
1 ST EMISSION					
					Use: Round Reduction Cushions

FI.MO.TEC. S.p.a. reserves the right to modify the technical specifications without prior notice, according to the technical progress
Copyright FI.MO.TEC. S.p.a. All rights reserved.

PRODUCT DATA SHEET

www.pewtronic.com



A) SPECIFICATIONS

Material: EPDM
UV resistant.
Colour: black.

B) PACKAGING INFORMATION

Packing in boxes.
Label indicating:
product code, article, quantity,
production batch,
FIMO logo and figure.
(Customer code on request).

C) MOUNTING INSTRUCTIONS

On request

ARTICLE	Ø D	Ø D1	HOLES	Ø d	BAG	BOX	WEIGHT
GRR 4x 1/4" - 62		60÷62	4	10÷11	10	50	142
GRR 4x 13" - 40	40	38÷40	4	12÷14	10	50	38
GRR 4x 7/8" - 90	90	88÷90	4	27÷28	10	50	218

RI	DATE	DR	DATE	AP	Description:
02					GRR - Round Cushions
01					
00	07/10/2011	E.B.	07/10/2011	A.V.	
1 ST EMISSION					
					Use: Round Reduction Cushions

FI.MO.TEC. S.p.a. reserves the right to modify the technical specifications without prior notice, according to the technical progress
Copyright FI.MO.TEC. S.p.a. All rights reserved.

www.pewtronic.com