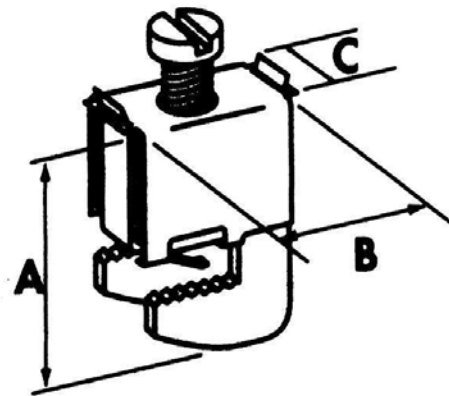
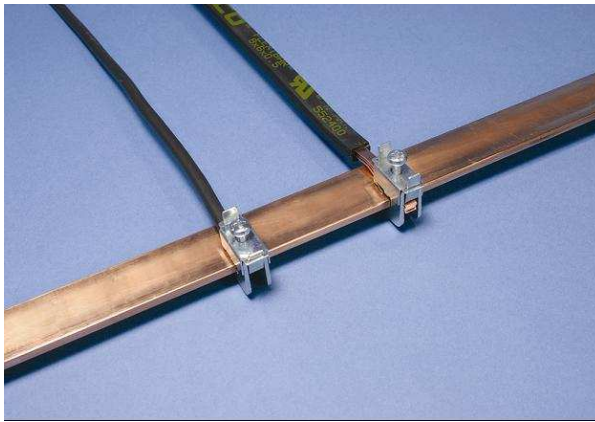


## Product Information



# FBC CONNECTORS FOR CONNECTING WITHOUT DRILLING

### □ FBC : Connectors



- The FBC connectors are mainly used for distribution of current from a plain bar. These clips can be installed on copper bars, thickness 5 or 10 mm.
- These clips allow making quick and easy connections, from 1 mm<sup>2</sup> to 185 mm<sup>2</sup>.



Connectors for busbars thickness 5 mm

Part No	Description	A (mm)	B (mm)	C (mm)	ERIFLEX FLEXIBAR Width (mm)	Torque (daN.m)	Cable size Mini – Max (mm <sup>2</sup> )		
553405	FBC 5x4	23	29	11		2	1-4	15	0,018 kg
553400	FBC 5x6	27	23	11,5	6	3	2,5-16	15	0,028 kg
553410	FBC 5x9	38	40	19	9	6-8	16-50	15	0,068 kg
553510	FBC 5x15,5	44	40	25	15,5	10-12	35-70	15	0,11 kg
553520	FBC 5x20	49	40	31	20	12-15	70-185	15	0,108 kg

Connectors for busbars thickness 10 mm

Part No	Description	A (mm)	B (mm)	C (mm)	ERIFLEX FLEXIBAR Width (mm)	Torque (daN.m)	Cable size Mini – Max (mm <sup>2</sup> )		
553505	FBC 10x4	28	29	11		2	1-4	15	0,02 kg
553430	FBC 10x6	33	23	11,5	6	3	2,5-16	15	0,03 kg
553440	FBC 10x9	42	40	19	9	6-8	16-50	15	0,07 kg
553530	FBC 10x15,5	49	40	25	15,5	10-12	35-70	15	0,11 kg
553540	FBC 10x20	54	40	31	20	12-15	70-185	15	0,108 kg

## *Product Information*

---

### □ **Technical data:**

- Quick and easy connections
- Very compact connector for connecting without drilling to a 5 or 10 mm thick busbar:
- Cables from 1 mm<sup>2</sup> up to 185 mm<sup>2</sup> or ERIFLEX® FLEXIBAR width 6 to 20 mm
- Conductor is clamped through a pressure plate
- Connectors will slide and self-support before fixing of conductor
- Single screw locks clamp and makes connection
- Connections can be added after bar has been mounted
- Material : Bright zinc plated steel

### □ **Certificates:**

- CE Conformity
- ROHS 2002/95/EC Compliance