

DualStrip™ - one shot tools

Instructions for use

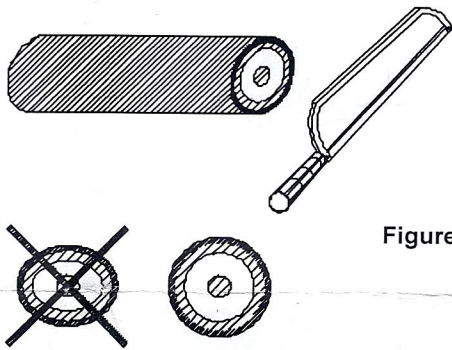


Figure 1.

Cable preparation

Please make sure to use the right tool size for your cable (all our tools are labelled with the same type number as our connectors (i.e. type 25).

Cut the cable using a hacksaw. The dimension of the cable should be kept round (not oval) after the cutting (fig. 1).

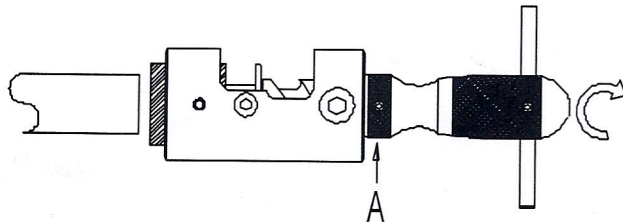


Figure 2.

Manual operation

Use the tool with the supplied T-handle (fig. 2). Place the strip tool over the end of the cable. Turn the handle in a clockwise direction using forward pressure until the mechanical stop is reached. Remove the tool.

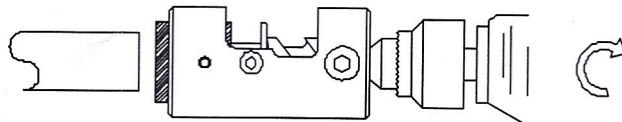


Figure 3.

Power operation

Unscrew the setscrew "A" (using the supplied 3 mm HEX key) and remove the handle from the tool spindle (fig. 2).

Use an electric drill (preferably with variable speed control). Set gear selector (if any) to "low" and rotate direction switch to "clockwise".

Place the strip tool in the chuck and tighten securely (fig. 3).

Place the strip tool over the end of the cable. Turn in clockwise direction using forward pressure until the mechanical stop is reached. Remove the tool.

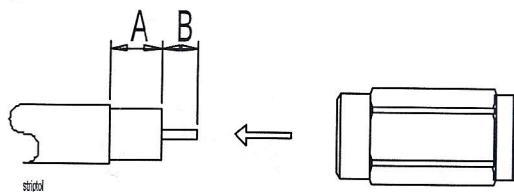


Figure 4.

Before installation

Please read the detailed splice- or installation instructions for your type of connector before installation.

ISO 9001 certified

Distributor:

CABELCON
connectors