

10. Slide the connector housing onto the contacts.  
See Figure 5.

**NOTE** *Be sure the latches are fully inserted.*

**NOTE** *Also shown in Figure 7, there must be NO gap behind the alignment adapter.*

11. Place the top and bottom alignment adapters over the connector. Refer to Figure 6.

**CAUTION** *The rib of the grounding shield must fit in the groove of the alignment adapter housing, as shown in Figure 7.*

**NOTE** *Be sure to use the appropriate crimp tool for the cable diameter and the timer contacts. Refer to Ericsson CPI for recommendations for the recommended crimp tools and cable.*

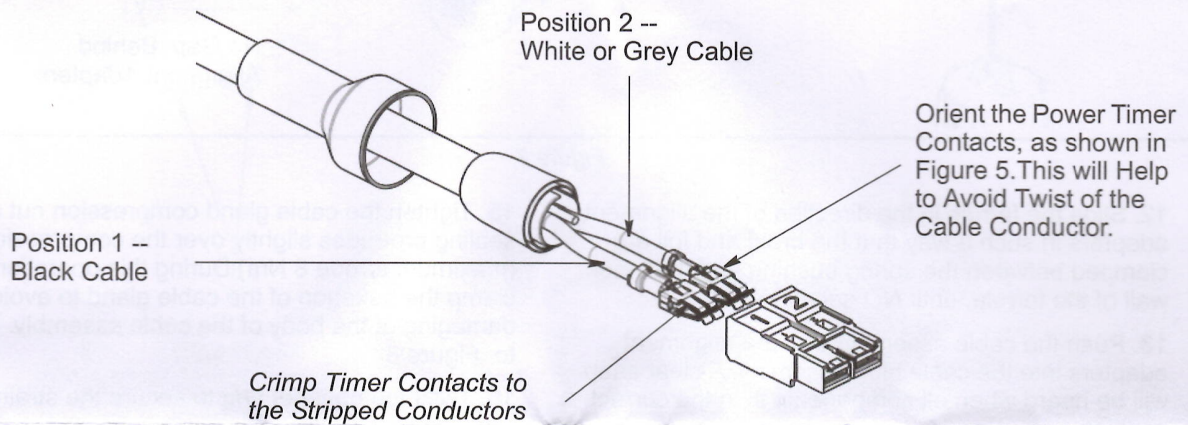


Figure 5

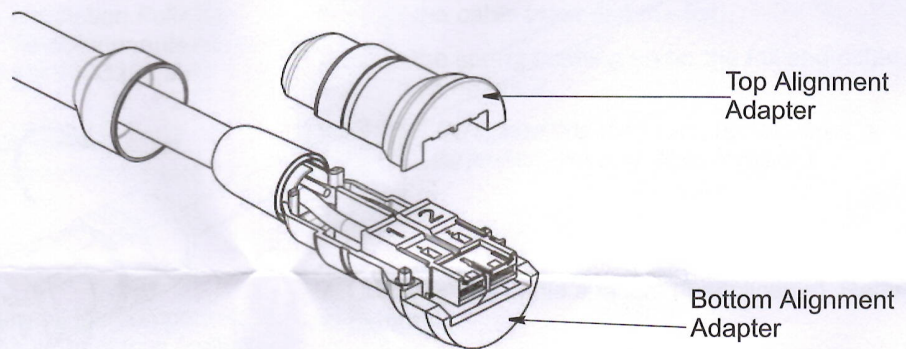


Figure 6