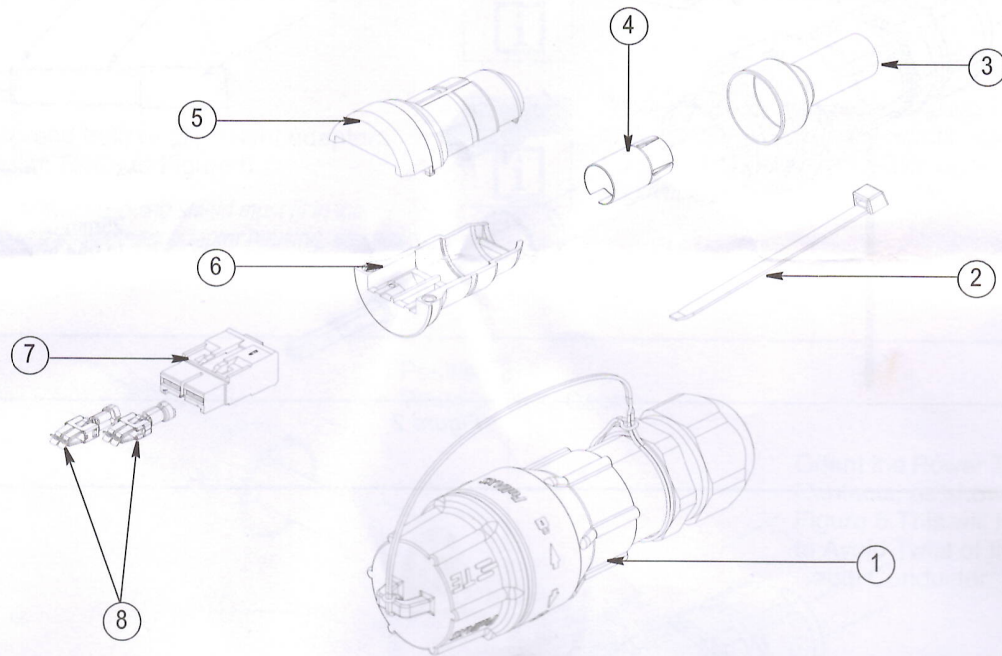


Restricted to Ericsson Corporation

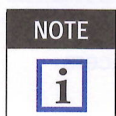


1	Cable Plug Kit	5	Alignment Adapter Top
2	Cable Tie	6	Alignment Adapter Bottom
3	Ferrule	7	Connector Housing
4	Spring Bushing	8	Power Timer Contacts: -- wire range 1, 5-2, 5 mm ² (three pieces) -- wire range 2, 5-4, 0 mm ² (three pieces)

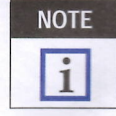
Figure 1

1. INTRODUCTION

These instructions deal with the installation FullAXS Connectors to customer cable. The components of FullAXS Connector Kit Part Number 2173230 are shown in Figure 1.



Dimensions on this instruction sheet are in millimeters [with inch equivalents in brackets].



The tapered side of the spring bushing should be in the position (direction) shown in Figure 3.

2. INSTALLATION

1. Refer to Figure 1 and be sure all the component parts of the kit are present. The eight pieces (called out in Figure 1) should be present.

2. Add cable tie to the cable approximately 30-40 cm from the cable end. The cable tie is used as a stop to prevent parts from sliding over the cable.

3. Slide the cable plug kit and the ferrule over the cable as shown in Figure 2.

4. Strip the cable as shown in Figure 2.

5. Flare the cable braid and the foil.

6. Slide the spring bushing under the foil and cable braid. See Figure 3.

7. Cut away the cable spacers (if applicable). Refer to Figure 4.

8. Strip the conductor wire to the dimensions shown in Figure 4,

9. Crimp the power timer contacts to the stripped conductor wire.