

双刀带灯波动开关

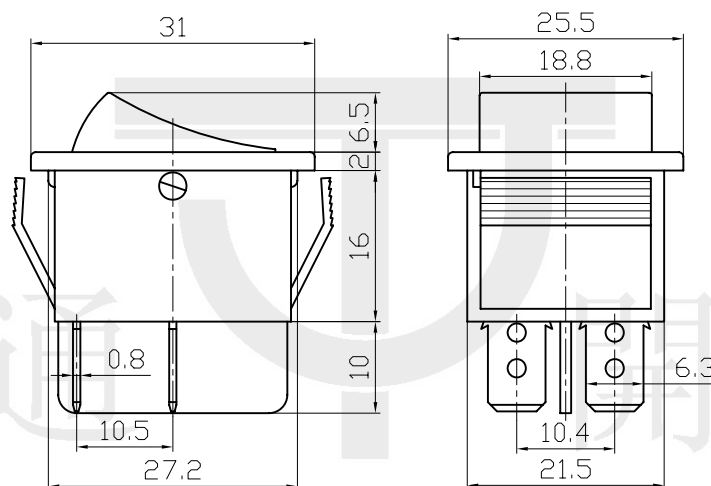
Double-poles Illuminated Rocker Switch

型号(TYPE):IRS-201-1C

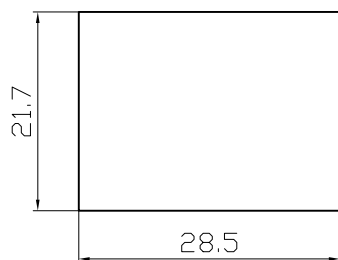
技术特性 (Specification)

1. 规格 (Rating):20A 125VAC;15A 250VAC;35A 12VDC
2. 接触电阻(Contact R):35mΩ max
3. 绝缘电阻(Insulation R):500V DC 100MΩ min
4. 耐电压 (Dielectric Strength):1 Minute 1500V AC
5. 操作温度(Operating Temperature):-25℃~+85℃
6. 电气寿命(Electrical Life):10, 000 Cycles

外型图 (Outline Drawing)



安装尺寸 (Mounting)



电路图 (Circuitry)

