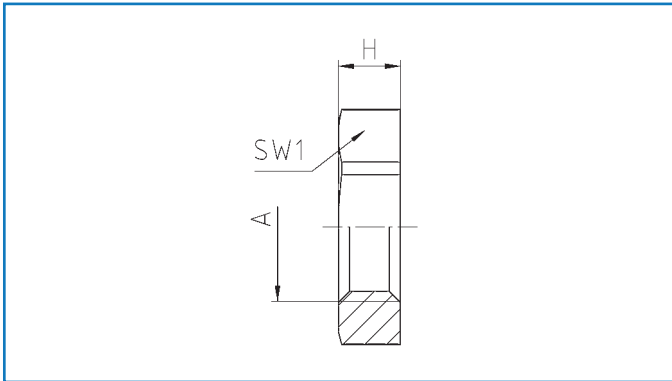


# Hexagonal locknut, plastic

GPA MB

Metric threads



## Technical details

Hexagonal locknut  
Connecting thread

Polyamide PA6 GF30  
metric as per EN 60423

## Properties

- For secure tightening of cable glands and accessories

Temperature range -20...+100 °C

Order symbol	Code	EAN	A	SW1 mm	H mm	Pack
<b>RAL 7035</b>						
GPA M12B	7016408	6418074054920	M12 x 1,5	17	5	100
GPA M16B	7016409	6418074054937	M16 x 1,5	22	5	100
GPA M20B	7016410	6418074054944	M20 x 1,5	27	6	100
GPA M25B	7016411	6418074054951	M25 x 1,5	32	6	100
GPA M32B	7016412	6418074054968	M32 x 1,5	41	7	100
GPA M40B	7016413	6418074054975	M40 x 1,5	50	7	50
GPA M50B	7016414	6418074054982	M50 x 1,5	60	8	50
GPA M63B	7016415	6418074054999	M63 x 1,5	75	8	50
<b>RAL 9005</b>						
GPA M12B 9005	7016880	6418074093370	M12 x 1,5	17	5	100
GPA M16B 9005	7016881	6418074093387	M16 x 1,5	22	5	100
GPA M20B 9005	7016566	6418074093394	M20 x 1,5	27	6	100
GPA M25B 9005	7016882	6418074093400	M25 x 1,5	32	6	100
GPA M32B 9005	7016883	6418074093417	M32 x 1,5	41	7	100
GPA M40B 9005	7016884	6418074093424	M40 x 1,5	50	7	50
GPA M50B 9005	7016885	6418074093431	M50 x 1,5	60	8	50
GPA M63B 9005	7016886	6418074093448	M63 x 1,5	75	8	50