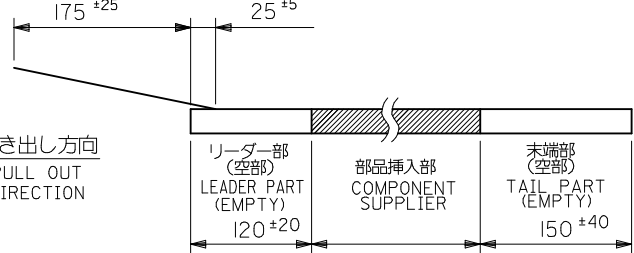


53261-****	WAFER ASSY	MODEL NO./MATERIAL NO.
50079-****	TERMINAL	
51021-****	HOUSING	

RELEASED EC NO: J2006-2426 DRWN: A0YAGI 2006/02/02 CHKD: YMAEDA 2006/02/03 APPR: NUKITA 2006/02/07	GENERAL TOLERANCES (UNLESS SPECIFIED)		DIMENSION STYLE MM ONLY		SCALE ---	DESIGN UNITS METRIC	THIRD ANGLE PROJECTION
	10 UNDER	± ---	DRAWN BY Y. A0YAGI	DATE 2006/01/30	TITLE 1.25 W-TO-B CONN. 51021,53261 MATING CROSS SECTION		
	10 ⁰ OVER 30 UNDER	± ---	CHECKED BY Y. MAEDA	DATE 2006/01/30	MOLEX INCORPORATED		
	30 ⁰ OVER	± ---	APPROVED BY N. UKITA	DATE 2006/01/30	MATERIAL NO. SEE CHART		
	ANGULAR	± --- °	DRAFT WHERE APPLICABLE MUST REMAIN WITHIN DIMENSIONS		DOCUMENT NO. SD-51021-002	SHEET NO. 1 OF 1	

注記
NOTES

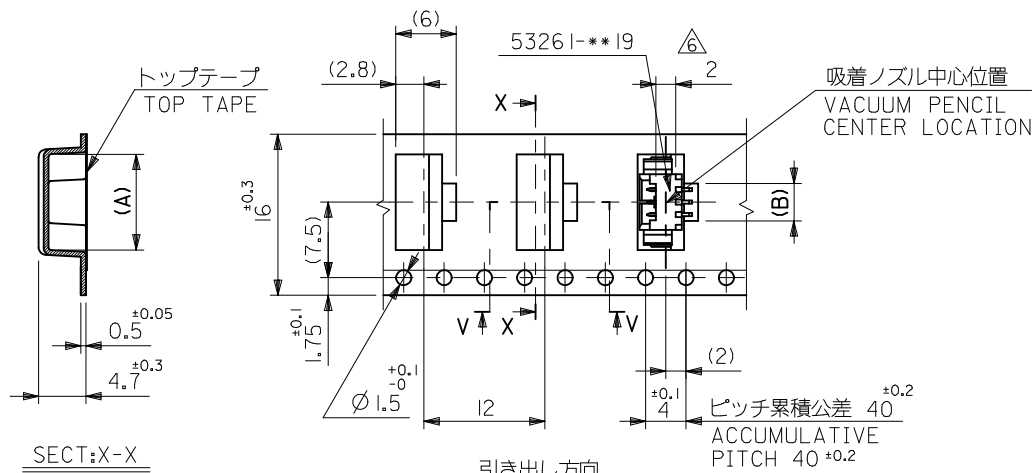
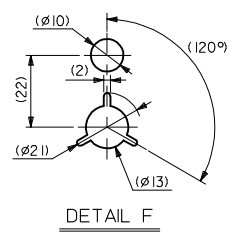
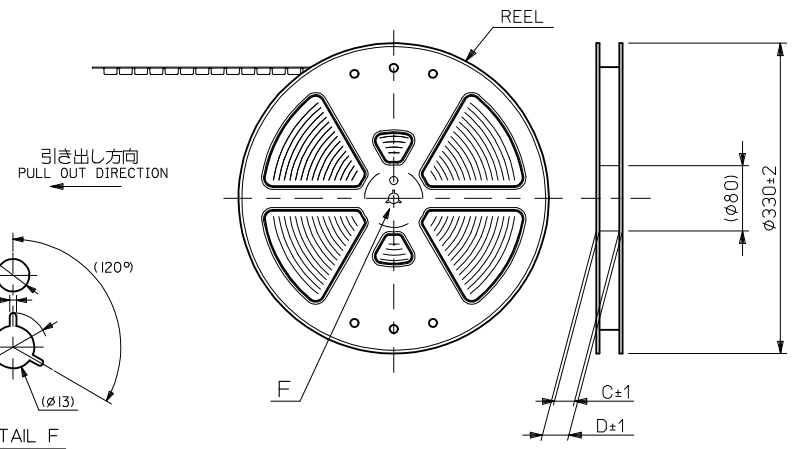
- 53261-**-19 の詳細寸法については図面 SD-53261-024 を参照下さい。
RE DETAILED DIMENSIONS, SEE SD-53261-024
- 梱包数量: 1000個/リール
NUMBER OF CONNECTOR: 1000PCS/REEL
- リードテープ長さ LEAD TAPE LENGTH
トップテープリーダー部 TOP TAPE LEADER PART
トップテープ未接着部 TOP TAPE NON-BONDED PART



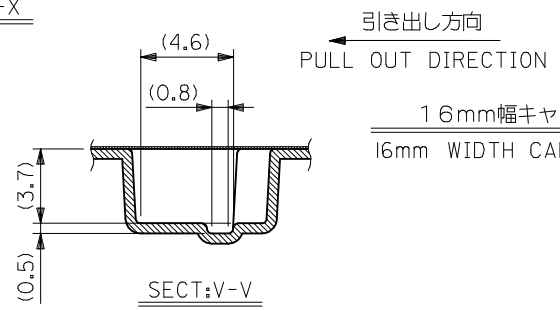
- 材料 (MATERIAL)
キャリアテープ (CARRIER TAPE): ポリプロピレン (POLYPROPYLENE)
トップテープ (TOP TAPE): PET, PE, PEF
リール (REEL): ポリスチレン (PS) <リサイクル材含む>
POLYSTYRENE (PS) <RECYCLE MATERIAL CONTAINED>

△ コネクタ、ハウジング平面部
CONNECTOR, HOUSING FLAT AREA

- 本製品は 53261-**-90 の鉛フリー品である。
THIS PRODUCT IS LEAD FREE OF 53261-**-90
- ELV及びRoHS適合品
ELV AND RoHS COMPLIANT
- 本製品は乾燥剤入り、ハイバリア梱包仕様である。
THIS PRODUCT IS HIGH BARRIER PACKAGE WITH DESICCANT.

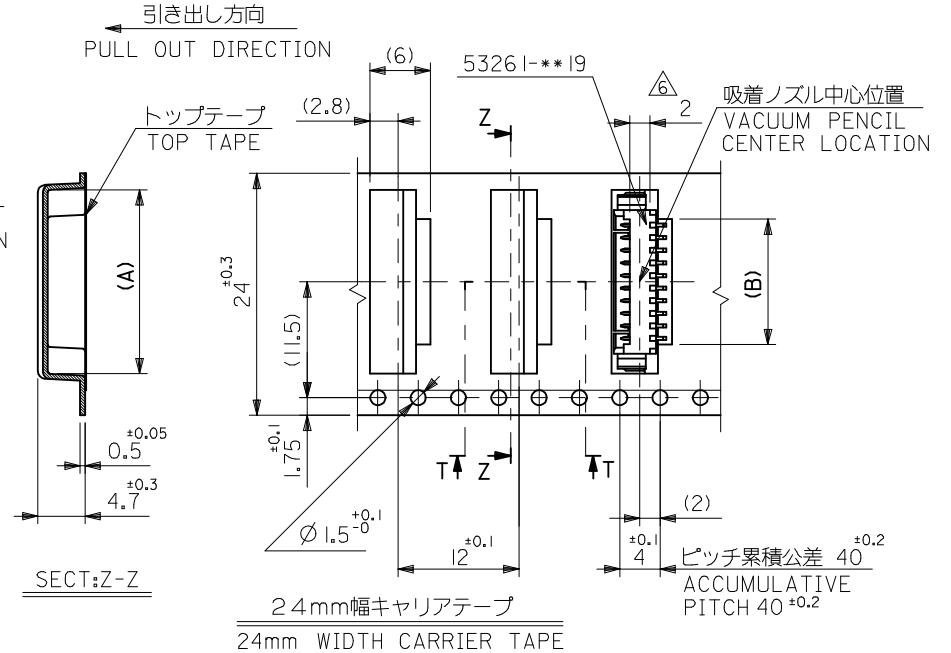
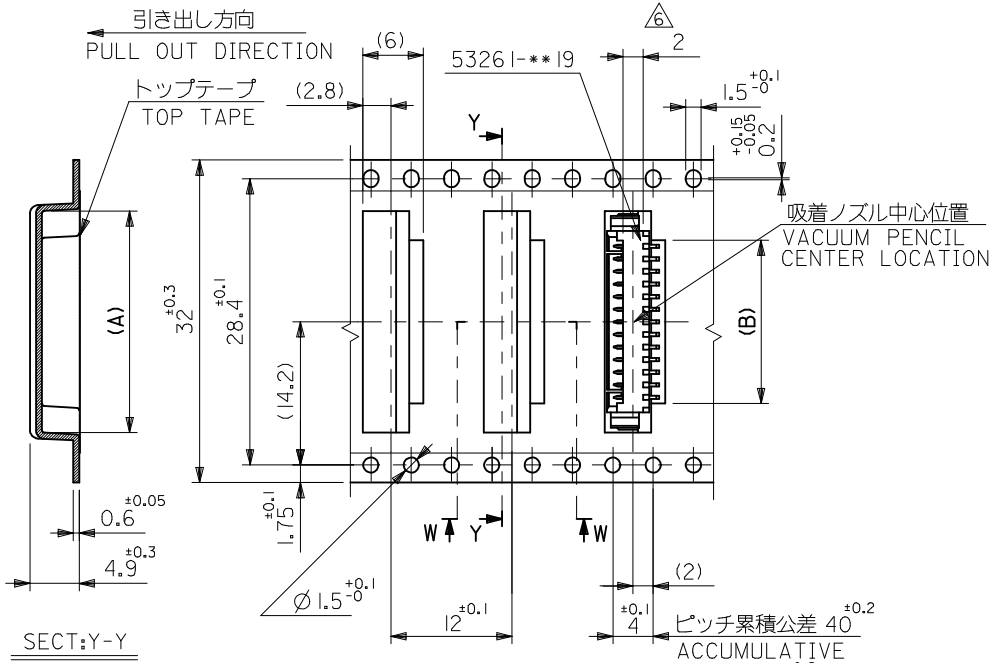


SECT:X-X



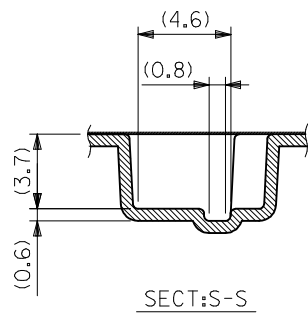
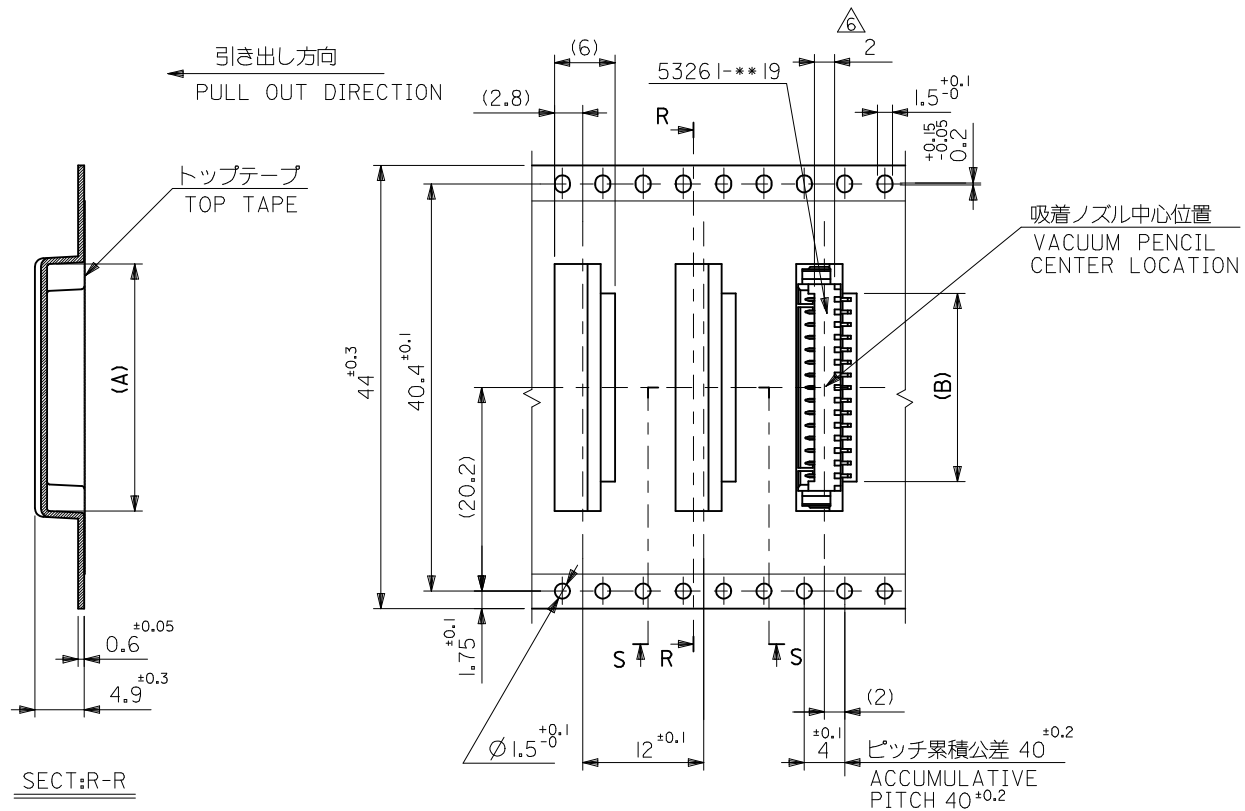
SECT:V-V

MODEL NO.	53261-**-71	16	21.4	17.4	3.7	9.5	53261-0371	3
GENERAL TOLERANCES (UNLESS SPECIFIED)		2.45	8.25	2.45	8.25	53261-0271	2	
DIMENSION STYLE	MM ONLY	キャリアテープ幅 CARRIER TAPE WIDTH	D	C	B	A	MATERIAL. NO.	極数 CKT.
SCALE	---							
DESIGN UNITS	METRIC							
THIRD ANGLE PROJECTION	◎							
TITLE	1.25 W/B CONN WAFER ASSY FOR SMT EMBSTP PKG							
DRAWN BY	H. SHIMABUKUR	DATE	'04/02/06					
CHECKED BY	K. TOJO	DATE	'04/02/06					
APPROVED BY	M. SASAO	DATE	'04/02/06					
MATERIAL NO.	SEE TABLE & SHEET 2,3	DOCUMENT NO.	SD-53261-023					
SIZE	A3	THIS DRAWING CONTAINS INFORMATION THAT IS PROPRIETARY TO MOLEX INCORPORATED AND SHOULD NOT BE USED WITHOUT WRITTEN PERMISSION						
REVISED	EC NO: J2009-2060	DRWN:TKON	2009/05/20	CHKD:HMATSUMOTO	2009/05/21	APPR:NIKIITA	2009/05/21	
DESCRIPTION								
REV								



32	37.4	33.4	16.2	22	53261-1371	13
			14.95	20.75	-1271	12
24	29.4	25.4	13.7	19.5	-1171	11
			12.45	18.25	-1071	10
			11.2	17	-0971	9
			9.95	15.75	-0871	8
			8.7	14.5	-0771	7
			7.45	13.25	-0671	6
			6.2	12	-0571	5
			4.95	10.75	53261-0471	4

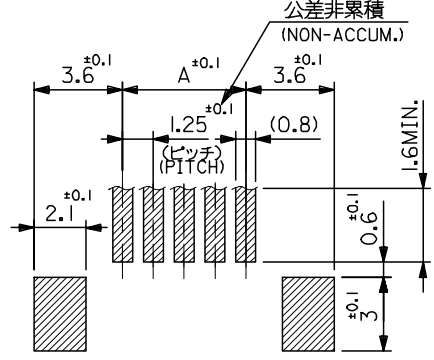
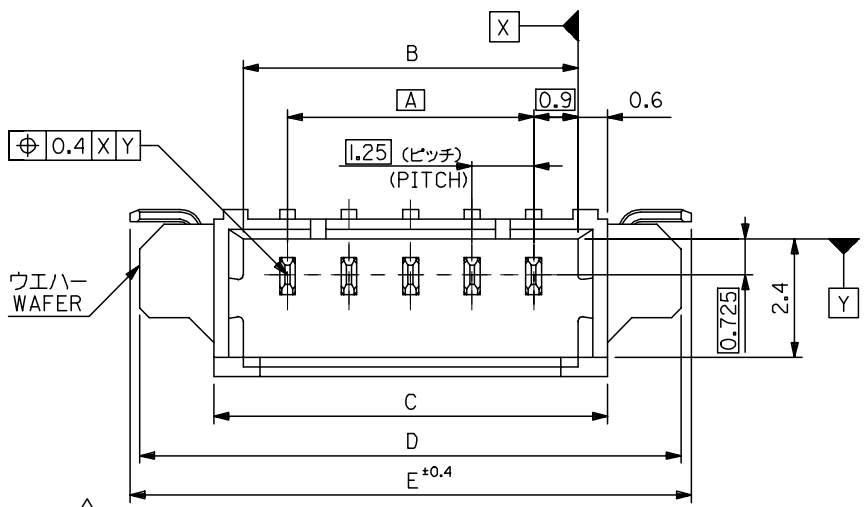
REVISED	EC NO. J2009-2060	2009/05/20	DRWN:TKON	2009/05/21	CHKD:HMATSUMOTO	2009/05/21	APPR:NUKITA	2009/05/21	
DESCRIPTION	GENERAL TOLERANCES (UNLESS SPECIFIED)								
REV	10 UNDER	±0.2	DIMENSION STYLE MM ONLY						SCALE ---
	10 OVER 30 UNDER	±0.25	DRAWN BY H. SHIMABUKUR						DATE '04/02/06
	30 OVER	±0.3	CHECKED BY K. TOJO						DATE '04/02/06
	ANGULAR	±3 °	APPROVED BY M. SASAO						DATE '04/02/06
	DRAFT WHERE APPLICABLE MUST REMAIN WITHIN DIMENSIONS		MATERIAL NO. SEE TABLE & SHEET 13						DOCUMENT NO. SD-53261-023
	SIZE A3	THIS DRAWING CONTAINS INFORMATION THAT IS PROPRIETARY TO MOLEX INCORPORATED AND SHOULD NOT BE USED WITHOUT WRITTEN PERMISSION							



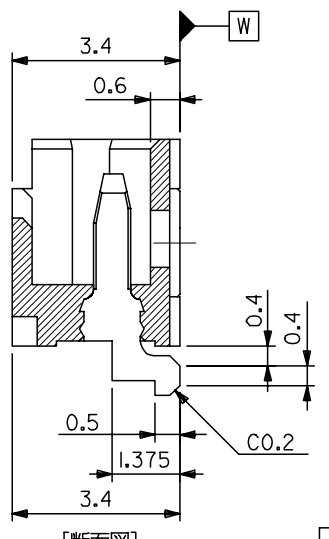
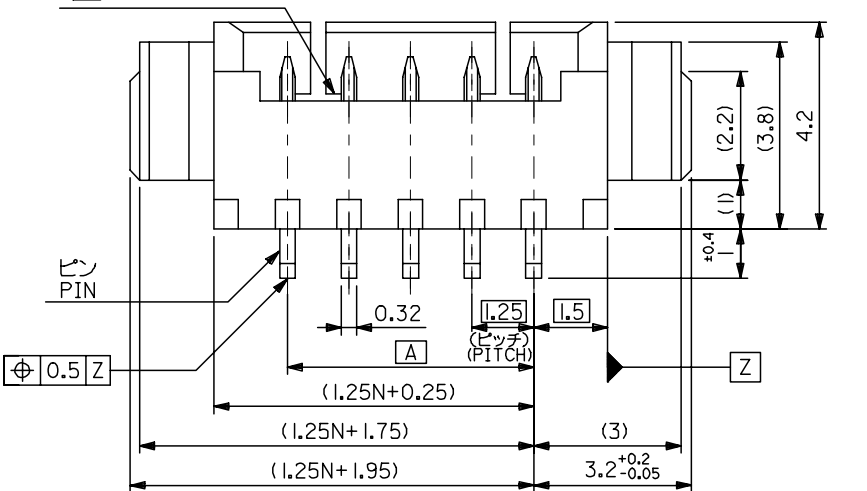
44mm幅キャリアテープ
44mm WIDTH CARRIER TAPE

MODEL NO. 53261-***71		44	49.4	45.4	18.7	24.5	53261-1571	15
GENERAL TOLERANCES (UNLESS SPECIFIED)		キャリアテープ幅 CARRIER TAPE WIDTH	D	C	B	A	53261-1471	14
DIMENSION STYLE MM ONLY		SCALE ---		DESIGN UNITS METRIC		THIRD ANGLE PROJECTION		
DRAWN BY H. SHIMABUKUR		DATE '04/02/06		TITLE 1.25 W/B CONN WAFER ASSY FOR SMT EMBSTP PKG				
CHECKED BY K. TOJO		DATE '04/02/06		MATERIAL NO. 極数 CKT.				
APPROVED BY M. SASAO		DATE '04/02/06		MOLEX INCORPORATED				
ANGULAR ±3 °		MATERIAL NO. SEE TABLE & SHEET 12		DOCUMENT NO. SD-53261-023		SHEET NO. 3 OF 3		
DRAFT WHERE APPLICABLE MUST REMAIN WITHIN DIMENSIONS		THIS DRAWING CONTAINS INFORMATION THAT IS PROPRIETARY TO MOLEX INCORPORATED AND SHOULD NOT BE USED WITHOUT WRITTEN PERMISSION						

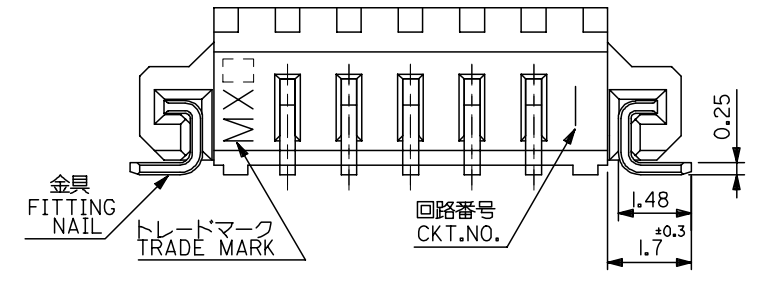
- 注記 NOTES
- 嵌合相手: 51021 シリウス
MATES WITH: 51021 SERIES
 - 材質 MATERIAL
ウエハー: NYLON46, UL94V-0
ピン: リン青銅
PIN: PHOS-BRO
: 銅メッキ 1. 0マイクロメートル以上
: TIN 1.0 MICROMETER MINIMUM
: ニッケル下地 1. 0マイクロメートル以上
: NICKEL(UNDER PLATING)1.0 MICROMETER MINIMUM
金具
FITTING NAIL: リン青銅
: PHOS-BRO
: 銅メッキ 1. 0マイクロメートル以上
: TIN 1.0 MICROMETER MINIMUM
: ニッケル下地 1. 0マイクロメートル以上
: NICKEL(UNDER PLATING)1.0 MICROMETER MINIMUM
 - ロック窓は2, 3極は1箇所, 4極以上は2箇所とする。
LOCKING WINDOW:
ONE PLACE FOR 2 AND 3 CKT. AND
TWO PLACES FOR MORE THAN 3 CKT.
 - ソルダーテール部のスレ量及び金具(補強板)のスレ量は基準面[W]に対し、上方向0.05 MAX、下方向に0.1 MAXとする。[W] OFFSET BETWEEN BASIS PLANE TO SOLDER TAIL BOTTOM AND FITTING NAIL BOTTOM:
UPPER SIDE: 0.05MAX.
LOWER SIDE: 0.1MAX.
 - 本製品は 53261-**-**10 の鉛フリー品である。
THIS PRODUCT IS LEAD FREE OF 53261-**-10



参考基板レイアウト
RECOMMENDED P.C.BOARD PATTERN DIM.(REF.)
(SCALE 5:1)



26.4	26	23	21.8	20	53261-1719	17	
23.9	23.5	20.5	19.3	17.5	-1519	15	
22.65	22.25	19.25	18.05	16.25	-1419	14	
21.4	21	18	16.8	15	-1319	13	
20.15	19.75	16.75	15.55	13.75	-1219	12	
18.9	18.5	15.5	14.3	12.5	-1119	11	
17.65	17.25	14.25	13.05	11.25	-1019	10	
16.4	16	13	11.8	10	-0919	9	
15.15	14.75	11.75	10.55	8.75	-0819	8	
13.9	13.5	10.5	9.3	7.5	-0719	7	
12.65	12.25	9.25	8.05	6.25	-0619	6	
11.4	11	8	6.8	5	-0519	5	
10.15	9.75	6.75	5.55	3.75	-0419	4	
8.9	8.5	5.5	4.3	2.5	-0319	3	
53261-**-19	7.65	7.25	4.25	3.05	1.25	53261-0219	2
MODEL NO.	E	D	C	B	A	MATERIAL. NO.	極数 CKT.



REVISED EC NO: J2005-3130 DRW:NAIDA 2005/04/19 CHK:KTOYODA 2005/04/21 APPR:NUKITA 2005/04/25	GENERAL TOLERANCES (UNLESS SPECIFIED)		DIMENSION STYLE MM ONLY		SCALE 10:1	DESIGN UNITS METRIC	THIRD ANGLE PROJECTION
	10 UNDER	±0.2	DRAWN BY HSHIMABU	DATE 04/02/06	TITLE 1.25 WIRE TO BOARD WAFER ASS FOR SMT -LEAD FREE-		
	10 OVER 30 UNDER	±0.25	CHECKED BY KTOJO	DATE 04/02/06	MOLEX INCORPORATED		
	30 OVER	±0.3	APPROVED BY MSASAO	DATE 04/02/06	DOCUMENT NO. SD-53261-024		
	ANGULAR	±3 °	MATERIAL NO. SEE DRAWING		SHEET NO. 1 OF 1		
DRAFT WHERE APPLICABLE MUST REMAIN WITHIN DIMENSIONS		THIS DRAWING CONTAINS INFORMATION THAT IS PROPRIETARY TO MOLEX INCORPORATED AND SHOULD NOT BE USED WITHOUT WRITTEN PERMISSION					