

DO NOT SCALE
DIMENSIONS IN mm

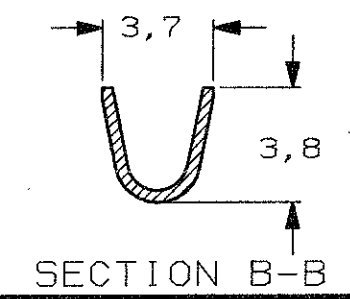
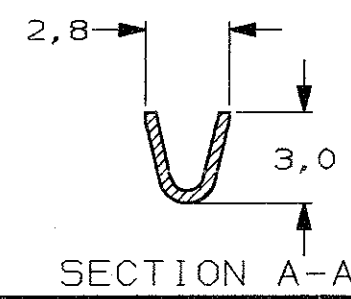
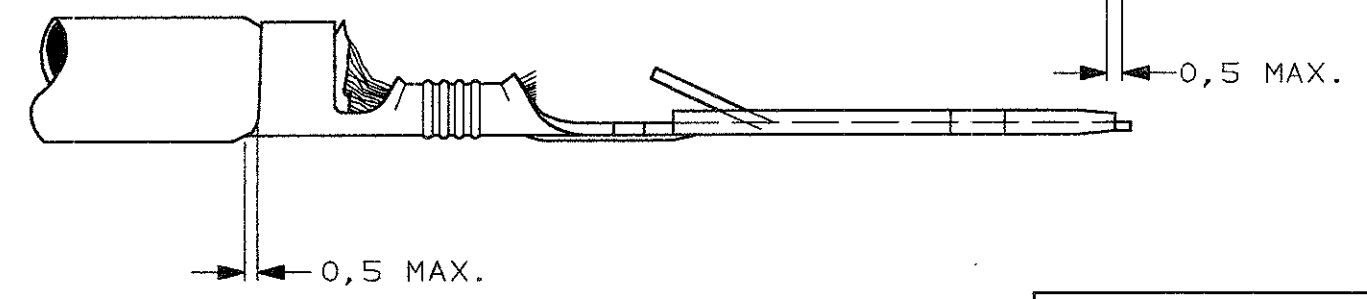
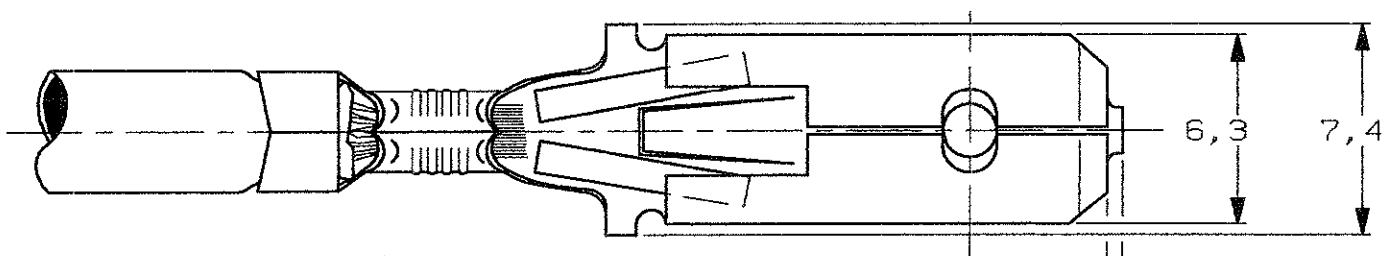
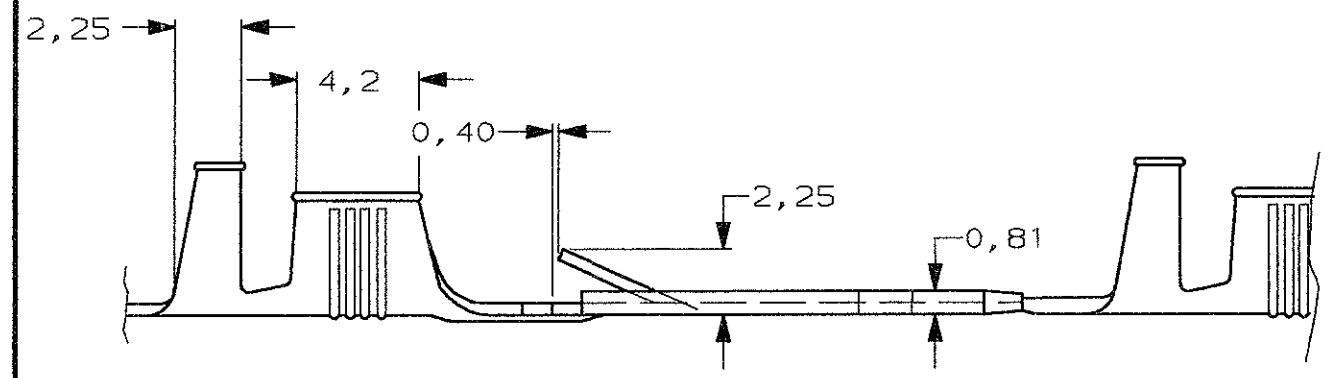
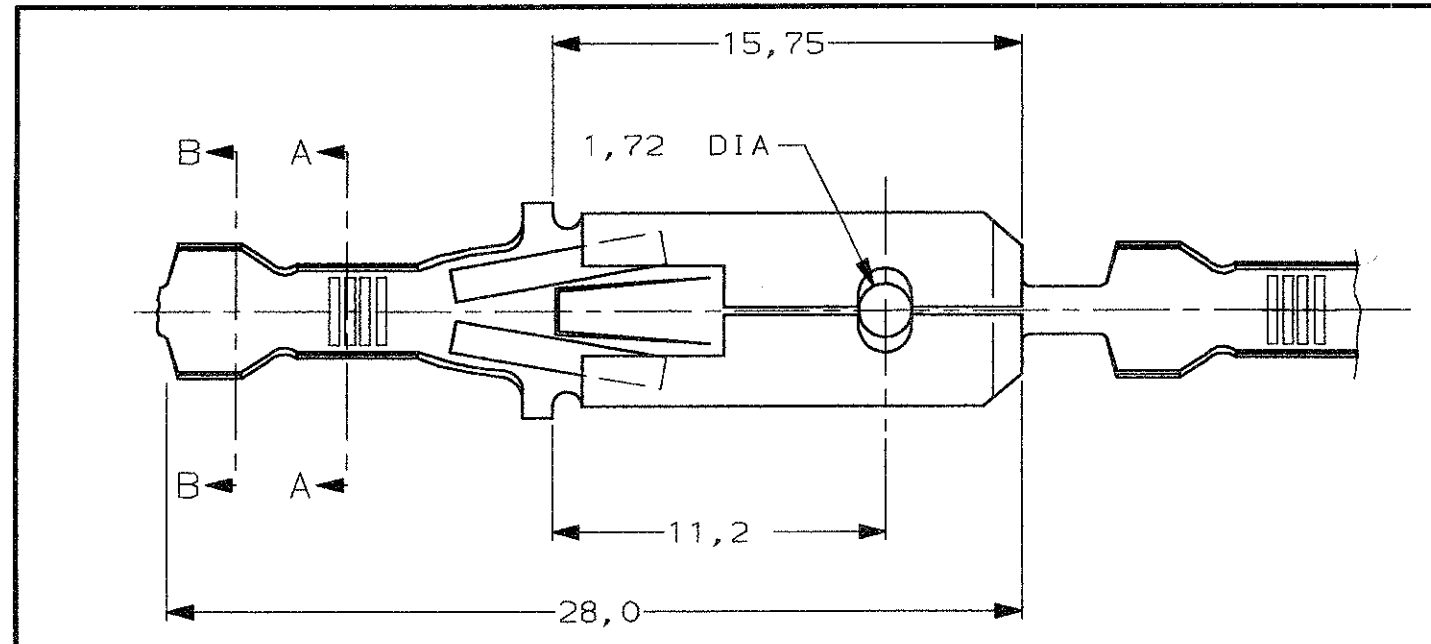
METRIC

THIRD ANGLE
PROJECTION

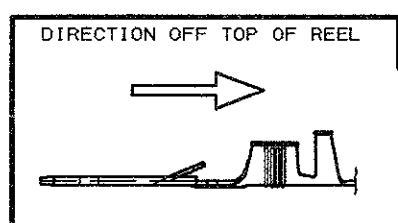


NOTES:

- ① FOR USE ON MINIATURE APPLICATORS (LEFT-RIGHT FEED)
- ② PH. BRONZE ELONGATION A50 ≥ 20%.
- ③ OBSOLETE PARTS: OBSOLETE CIS STREAMLINING PER D.RENAUD/D.SINISI



WIRE RANGE :
0,5-1,0 mm²
INSULATION RANGE :
1,4-2,3mm DIA.



| | | | | |
|------------|---|---------------|-----------|---------------------|
| ③ OBSOLETE | ① | PRE-TINPLATED | BRASS | 160859-8 |
| | ① | PRE-TINPLATED | Ph BRONZE | 160859-7 |
| | ① | UNPLATED | Ph BRONZE | 160859-6 |
| | ① | SILVERPLATED | Ph BRONZE | 160859-5 |
| | ① | TINPLATED | Ph BRONZE | 160859-4 |
| | ① | UNPLATED | Ph BRONZE | 160859-3 |
| | ① | TINPLATED | BRASS | 160859-2 |
| | ① | UNPLATED | BRASS | 160859-1 |
| PLATING | | PLATING | MATERIAL | PARTNUMBER |

CUSTOMER DRAWING FOR REFERENCE ONLY
WILL NOT BE UPDATED

THIS DRAWING IS UNPUBLISHED
RELEASED FOR PUBLICATION - ,19 -



NAME
FASTIN-FASTON® Connector,
.250" sr. TAB CONTACT.

| | | | | |
|-------------------|---------------------------|-------------------|-----------------|----------------------------------|
| G3 | REVISED PER ECO-11-005140 | RK | HMR | 31MAR11 |
| LTR. | REVISION RECORD | DR. | CHK. | DATE |
| DR. : J.v.LIEMPT. | CHK. : A.BIJNEN. | APP. : L.v.SOEST. | DWG. No. | |
| DATE: 23 MAR 1992 | DATE: - | DATE: - | C-160859 | REV. LTR. G3 SHEET 1 OF 1 |

DWG. No. **C-160859** REV. LTR. **G3** SHEET 1 OF 1 **A3**