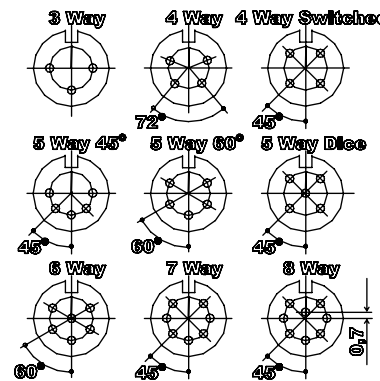
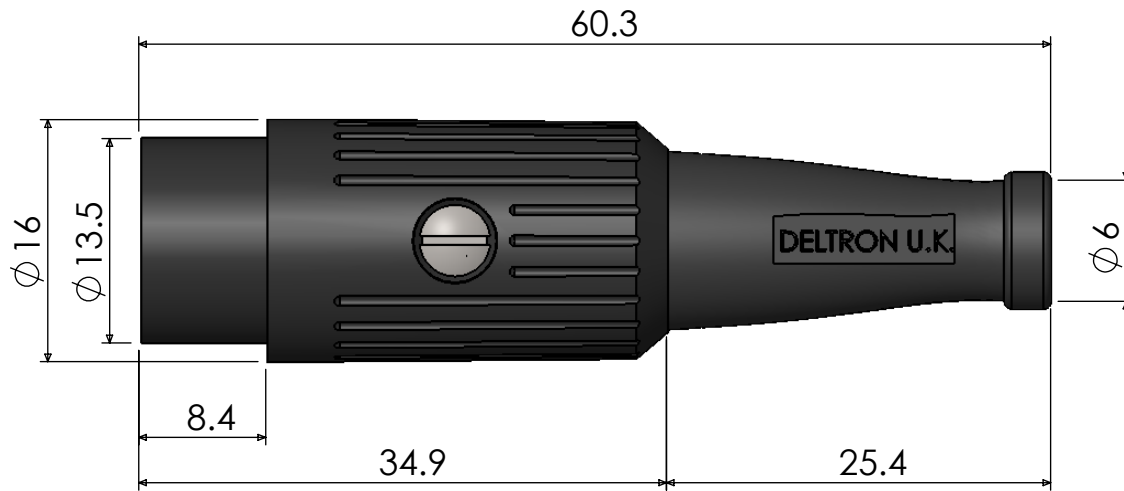


A fully screened robust range of DIN connectors for use in instrumentation and audio applications. Available in non-reflective electrically conductive matt black. Robust construction incorporating cable grip and strain relief.

Manufactured to DIN 41524, 45322, 45326, 45327 and 45329.

| <b>Materials</b>        |  |
|-------------------------|--|
| Housing                 | Zinc Alloy                                   |
|                         | Non-reflective matt black Plated Over Copper |
| Moulding                | Nylon  |
| Contacts                | Brass Silver Plated                          |
| Cable Clamp             | Mild steel Zinc Plated                       |
| Grommet                 | Black P,V,C                                  |
| <b>Electrical</b>       |  |
| Rated Voltage           | 34 V a.c. or d.c.                            |
| Current Rating          | 2.A  |
| Test Voltage            | 500 V r.m.s.                                 |
| Insulation Resistance   | 103 MΩ min at 100 V d.c                      |
| Contact Resistance      | 10 mΩ max                                    |
| Capacitance (mated)     | 3pF  |
| <b>Climatic</b>         |  |
| Climatic category       | 25/070/21                                    |
| Temperature Range       | -25°C to +70°C                               |
| Damp heat, steady state | 21 days                                      |

Dimensions



| Type       | Deltron No |
|------------|------------|
| 3 Way      | 611-0300   |
| 4 Way      | 611-0400   |
| 5 Way 45°  | 611-0500   |
| 5 Way 60°  | 611-0510   |
| 5 Way Dice | 611-0520   |
| 6 Way      | 611-0600   |
| 7 Way      | 611-0700   |
| 8 Way      | 611-0800   |