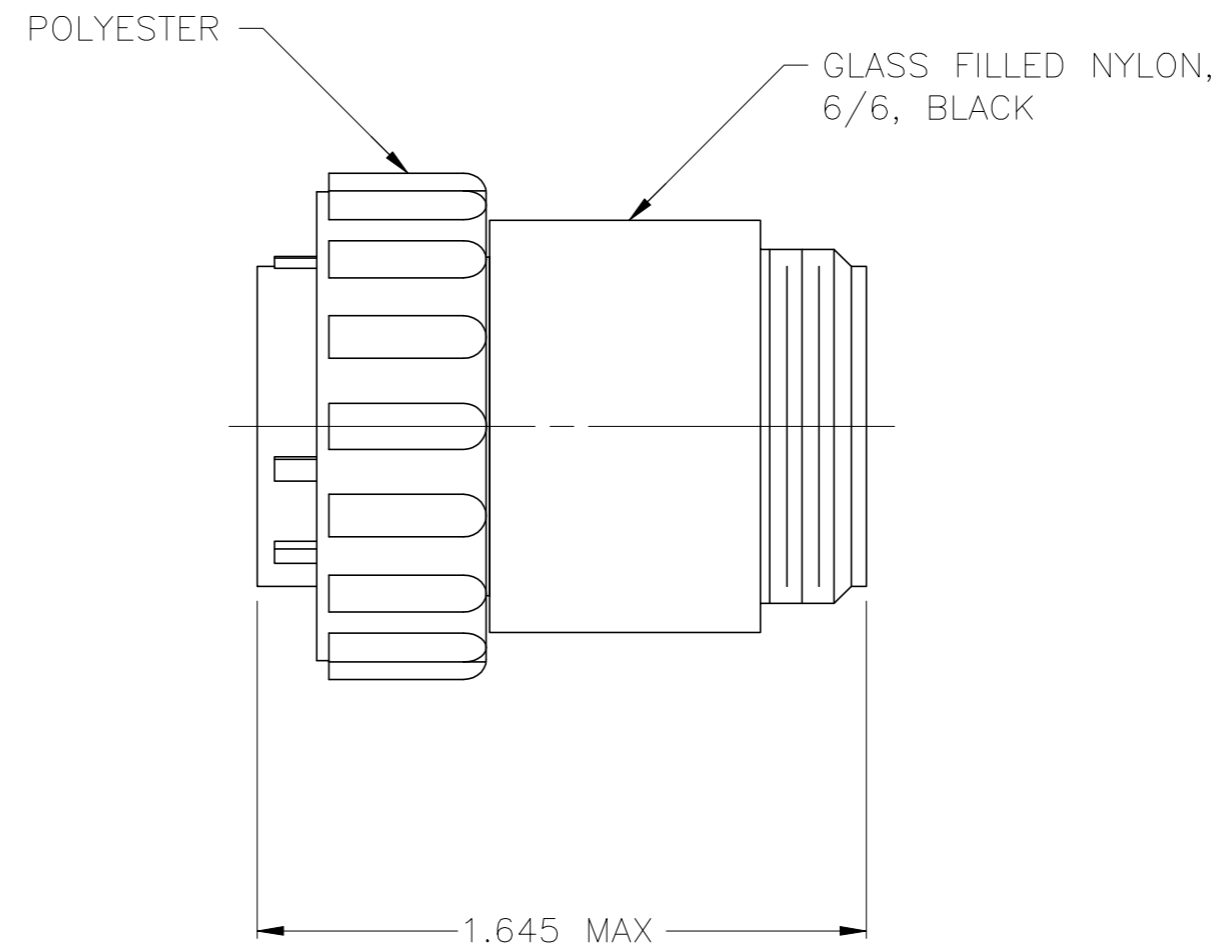
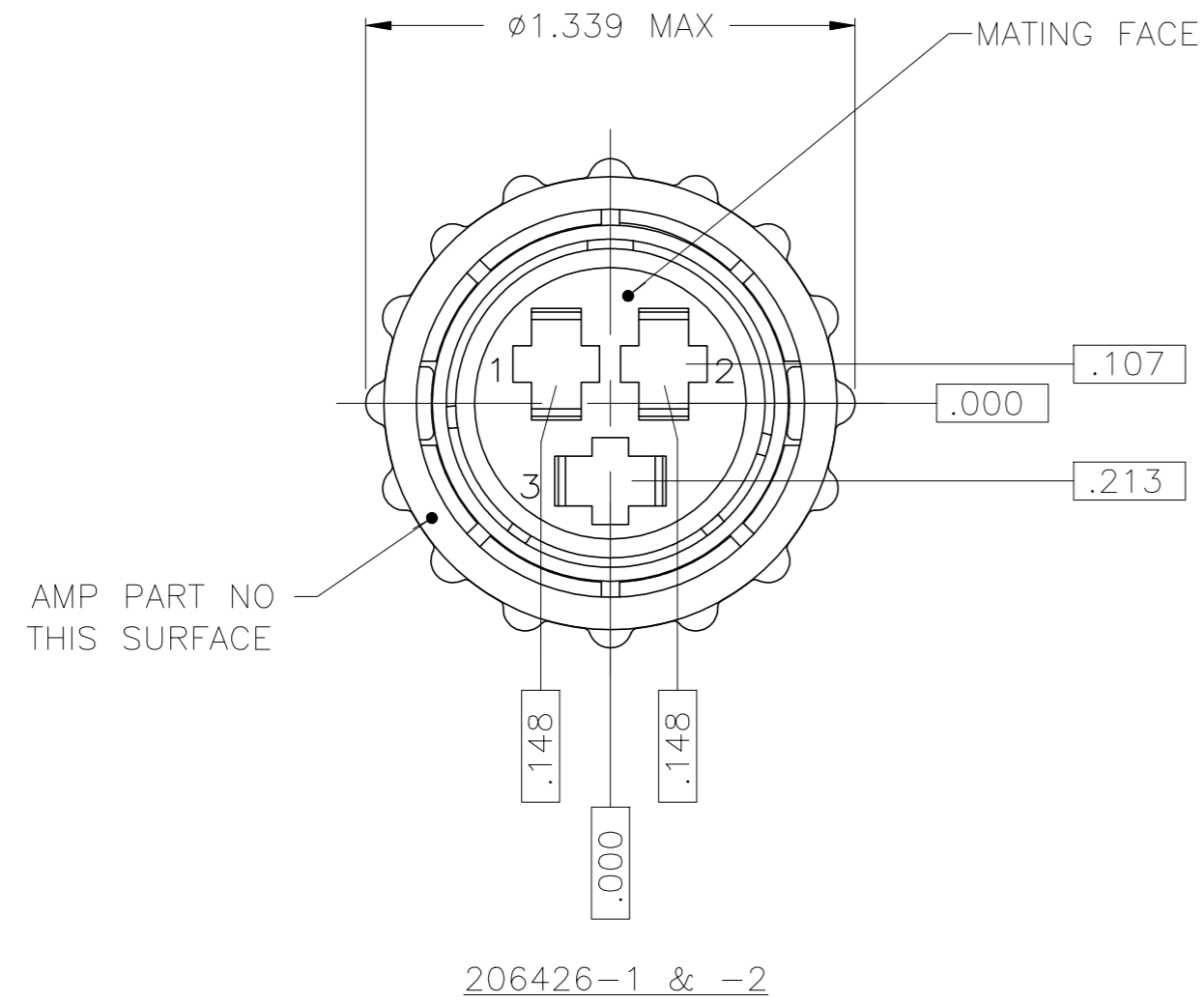


THIS DRAWING IS UNPUBLISHED. RELEASED FOR PUBLICATION  
COPYRIGHT - By - ALL RIGHTS RESERVED.

REVISIONS					
P	LTR	DESCRIPTION	DATE	DWN	APVD
F3		REVISED PER ECO-16-004800	10SEP2016	NK	MZ
G		REVISED PER ECO-19-009342	20JUN2019	RS	MZ



- 1 CONTACT CAVITIES IDENTIFIED BY CHARACTERS ON FRONT AND REAR FACES OF CONNECTOR.
- 2 WILL ACCEPT (3) TYPE XII PIN CONTACTS.

OBSOLETE	B	BLACK	VALOX	<del>206426-4</del>
OBSOLETE	A	GRAY	NORYL	<del>206426-2</del>
	A	BLACK	VALOX	206426-1
	KEYING STYLE	COUPLING RING COLOR	COUPLING RING MATL	PART NUMBER

THIS DRAWING IS A CONTROLLED DOCUMENT.

DWN	S.RIDGLEY	BG	8/2/90
CHK	R.STONE		04/26/91
APVD			
NAME			
PRODUCT SPEC			
APPLICATION SPEC			
WEIGHT			
CUSTOMER DRAWING			

**STE** TE Connectivity

PLUG ASSEMBLY, SHELL SIZE 17, REVERSE SEX, SERIES 3, CPC

SIZE	A2	CAGE CODE	00779	DRAWING NO	C=206426	RESTRICTED TO	
SCALE	2:1	SHEET	1 of 1	REV	G		