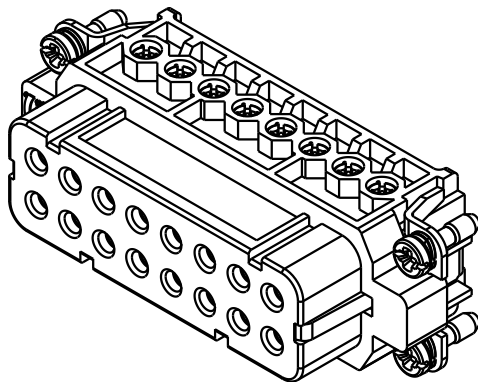
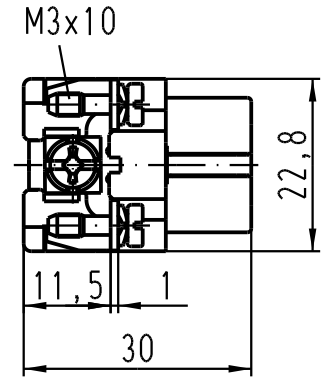
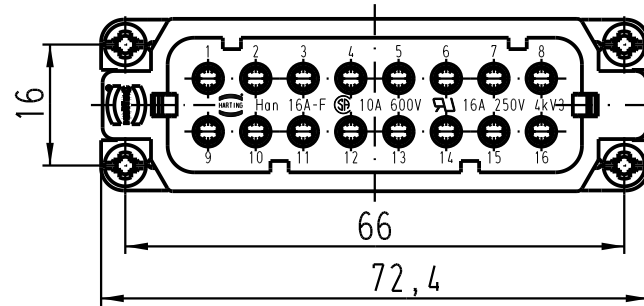
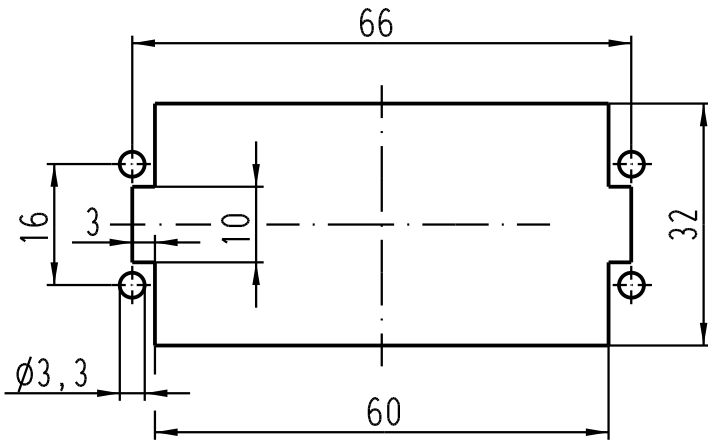


Montageausschnitt/
panel cut out



| | | | | | | | |
|---|----------|------|---|----------|------|---|--|
| All Dimensions in mm Original Size DIN A 4 | | | Techn. Character. | | | Nicht tolerierte Masse / Free size tolerances | |
| | | | | Dat. | Name | Massstab / Scale 1 : 1 | Han 16A-F-s Buchseneinsatz / female insert |
| 411720 | 25.07.05 | Grie | Detail. | 29.03.99 | PL | | |
| 411421 | 20.01.05 | Loe. | Insp. | | SDT | | |
| 410526 | 18.07.03 | Ho | Stand. | | | | |
| 410069 | 22.05.02 | Gö | | | | | |
| 25622 | | | HARTING Electric GmbH & Co. KG D-32339 Espelkamp | | | | TB 09 20 016 2812 |
| Mod. | Dat. | Name | | | | | |

Blatt / page