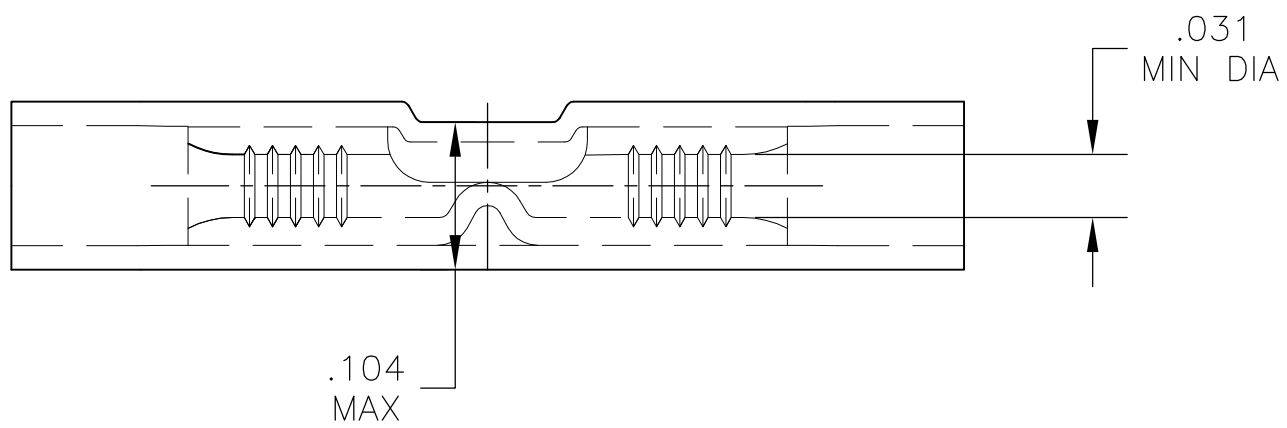
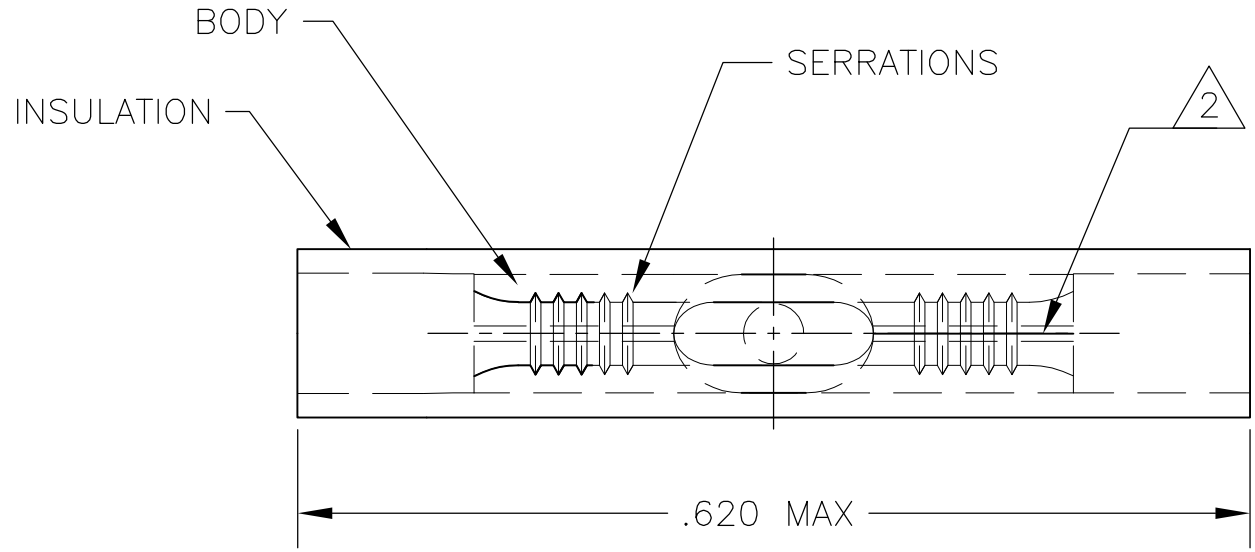


THIS DRAWING IS UNPUBLISHED. RELEASED FOR PUBLICATION
 © COPYRIGHT - By - ALL RIGHTS RESERVED.

LOC	DIST	REVISIONS					
		P	LTR	DESCRIPTION	DATE	DWN	APVD
G	14		G	REVISED PER ECO-14-015185	04DEC2014	NK	DR



- 1 FOR .050 TO .080 WIRE INSULATION DIA.
- 2 BRAZED SEAM ON BUTT SPLICE BODY.
- 3 MATERIAL: INSULATION - PVC
 COLOR - YELLOW, TRANSPARENT
 BODY - COPPER PER ASTM B152
 FINISH - TIN PL. PER ASTM B545

100	LOOSE PIECE	8-321026-1
4000	ON TAPE	2-321026-1
1000	LOOSE PIECE	321026
QTY	DESCRIPTION	PART NO

THIS DRAWING IS A CONTROLLED DOCUMENT.		DWN jr_ruth 27OCT04	STE TE Connectivity													
DIMENSIONS: INCHES		CHK T MICHIELUTTI 27OCT04														
TOLERANCES UNLESS OTHERWISE SPECIFIED:		APVD T MICHIELUTTI 27OCT04	NAME WIRE BUTT SPLICE, PLASTI-GRIP, WIRE SIZE: 26-22													
<table border="0"> <tr><td>0 PLC</td><td>± -</td></tr> <tr><td>1 PLC</td><td>± -</td></tr> <tr><td>2 PLC</td><td>± -</td></tr> <tr><td>3 PLC</td><td>± .008</td></tr> <tr><td>4 PLC</td><td>± -</td></tr> <tr><td>ANGLES</td><td>± 5°</td></tr> </table>		0 PLC	± -	1 PLC	± -	2 PLC	± -	3 PLC	± .008	4 PLC	± -	ANGLES	± 5°	PRODUCT SPEC -	APPLICATION SPEC 114-2161	
0 PLC	± -															
1 PLC	± -															
2 PLC	± -															
3 PLC	± .008															
4 PLC	± -															
ANGLES	± 5°															
MATERIAL 3		FINISH 3	WEIGHT -	RESTRICTED TO -												
CUSTOMER DRAWING			SIZE A3	CAGE CODE 00779												
			DRAWING NO G-321026	SCALE 1:1												
			SHEET 1 OF 1	REV G												