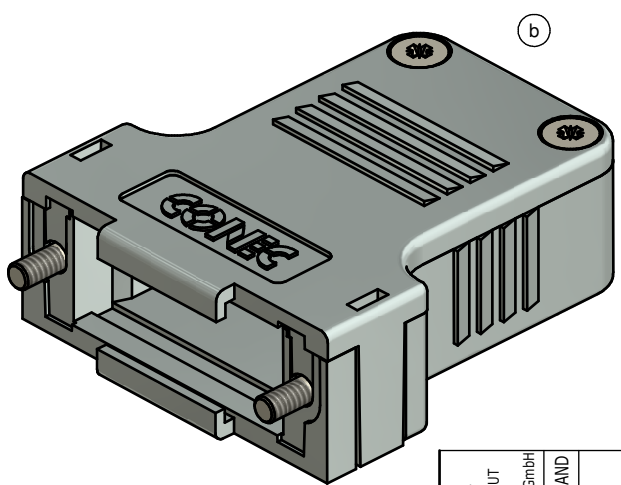


(b)

CABLE STRAIN RELIEF (1x)	LENS HEAD SCREW (2x)
SHORT SCREW (2x)	PRESS INSERT (1x)
COVER SCREW (2x)	



(b)

NOTES:

- HOOD + COVER: ABS UL 94 V-0; METALLIZED
- CABLE STRAIN RELIEF: STEEL; NICKEL PLATED
- PRESS INSERT: ABS UL 94 V-0; METALLIZED
- SHORT SCREWS: STEEL; NICKEL PLATED
- COVER SCREWS: STEEL; NICKEL PLATED
- LENS HEAD SCREWS: STEEL; NICKEL PLATED

TECHNICAL DATA:

- TEMPERATURE RANGE: -33 °C to + 90 °C

Directive 2002/95/EC RoHS compliant

THIS DRAWING MAY NOT BE COPIED OR REPRODUCED IN ANY WAY, AND MAY NOT BE PASSED ON TO A THIRD PARTY WITHOUT WRITTEN PERMISSION. OWNERSHIP AND COPYRIGHT OF CONEC GmbH DO NOT ALTER CAD DRAWING BY HAND	tolerance			scale: 2:1	
			dim. in mm	material: SEE NOTES	
	drawn	03.09.14	Unkrüer	title: PLASTIC HOOD 15pos. with straight cable exit	
	appd.	03.09.14	Lehmenkühler		
	norm				
	d-old	16K2A171A		dwg no:	DIN-A3
3 x b	Ä 5304	03.09.2014	Unkrüer	(b) 16K1A3494	
a	Original			sh: 1	
rev.	description	date	name	part no: 165X13479X	



