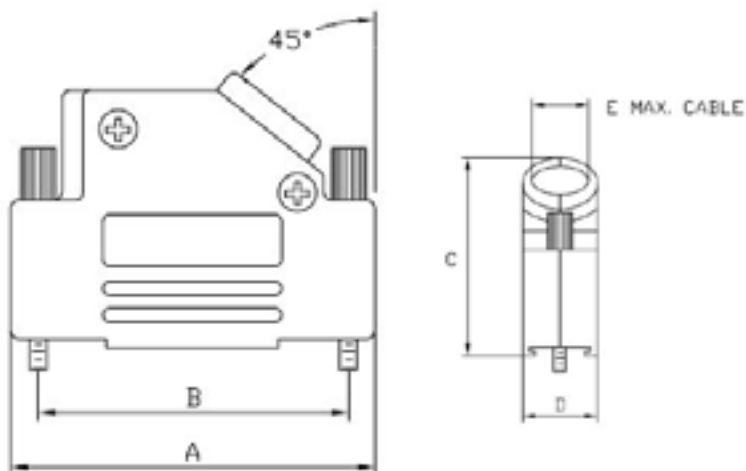


DATA SHEET

MHD45ZK SERIES | DIE CAST D-SUB HOOD



| Size | A | B | C |
|--------|------|------|------|
| 9 Way | 31.0 | 36.3 | 14.5 |
| 15 Way | 39.5 | 40.3 | 14.5 |
| 25 Way | 53.2 | 40.3 | 14.5 |
| 37 Way | 69.7 | 40.3 | 14.5 |
| 50 Way | 67.4 | 44.9 | 17.4 |

Technical Specification

| | |
|-----------------------|--|
| Material | Zinc, Nickel Plated |
| Operating Temperature | -40°C to 120°C |
| Cable Entry | 45° side entry |
| Thumb Screws | UNC 4-40 (Standard), M2.5 or M3 on request |
| Cable Diameter | Up to 13mm (9-37) or 17mm (50) |

Main Features

| |
|---|
| Available in size 9, 15, 25, 37 & 50 way |
| Excellent EMI Shielding |
| Re-openable |
| Strain relief inserts ensure a secure termination |
| Metallised grommets on request |