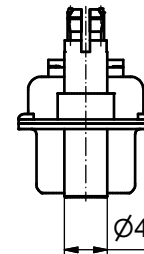
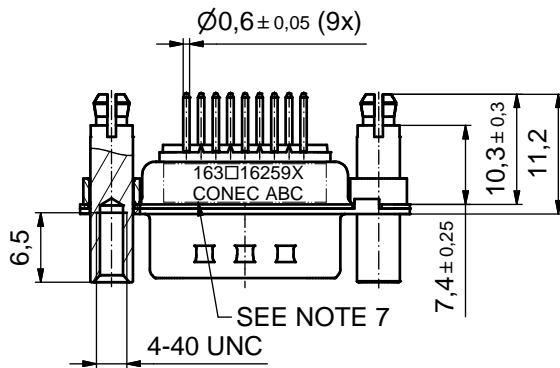
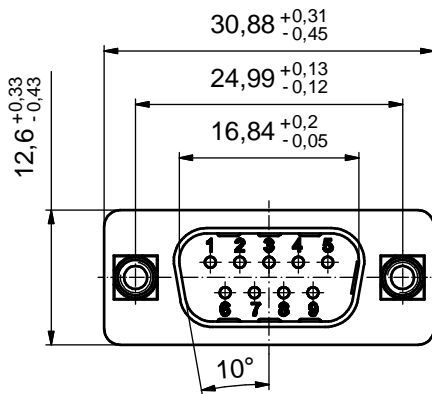
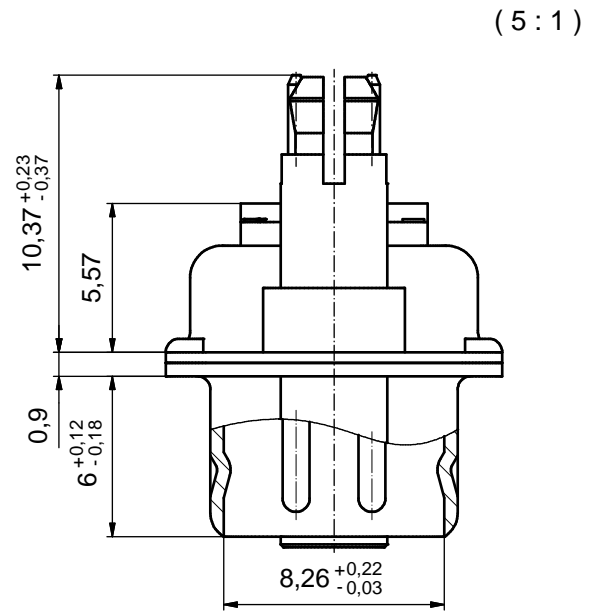
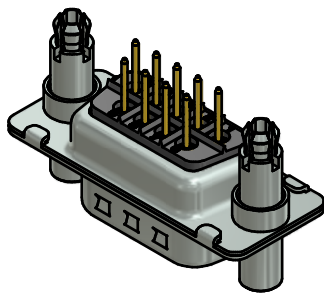


P.C.B. HOLE DRILLINGS
(P.C.B. TOP SIDE)



NOTES:

1. METALSHELLS: STEEL; min. 315µm TIN over 40-80µm NICKEL
2. INSULATORS: PBT GF UL 94 V-0, BLACK
3. CONTACTS: COPPER ALLOY; PLATING (SEE PART NO.):
 PLEASE ADD A for GOLD FLASH over NICKEL (PREFERRED TYPE)
 PLEASE ADD B for 20µm HARD GOLD over min. 50µm NICKEL
 PLEASE ADD C for 30µm HARD GOLD over min. 50µm NICKEL
 PLEASE ADD J for 50µm HARD GOLD over min. 50µm NICKEL
4. THREADED REAR SPACER CLIPS: COPPER ALLOY; min. 200µm TIN over 80µm NICKEL
 PCB-HOLE: ø3.1±0,1mm; PCB THICKNESS 1,6mm
5. COLLARS: COPPER ALLOY; min. 200µm TIN over 80µm NICKEL
6. MAXIMUM TORQUE VALUE FOR THREAD: 6 in.LB
7. CONNECTOR IS PART MARKED: **163□16259X CONEC ABC** (see note 3)



RoHS compliant

THIS DRAWING MAY NOT BE COPIED OR REPRODUCED IN ANY WAY, AND MAY NOT BE PASSED ON TO A THIRD PARTY WITHOUT WRITTEN PERMISSION. OWNERSHIP AND COPYRIGHT OF CONEC GmbH DO NOT ALTER CAD DRAWING BY HAND				tolerance		scale: 2:1 (5:1)
					dim. in mm	material: see notes
				date	name	title: D-SUB MALE 9pos. SOLDER PIN STRAIGHT with threaded rear spacer clip
				drawn 29.03.16	Unkrüer	
				appd. 29.03.16	Schmidt	
				norm		
				d-old		dwg no:
a	Original		CONEC		16K1A3767	DIN-A3 sh: 1
rev.	description	date			name	part no: 163□16259X (see note 3)

