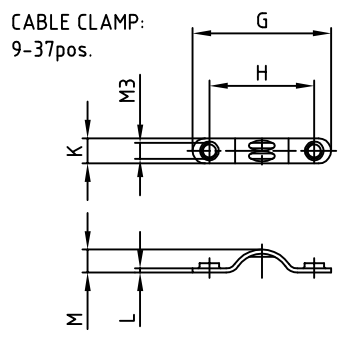
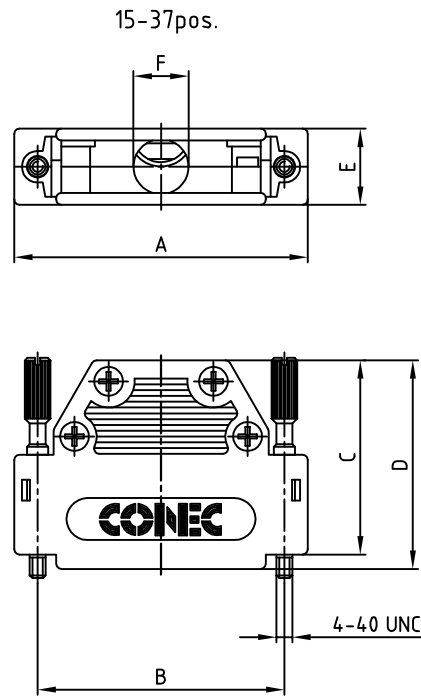
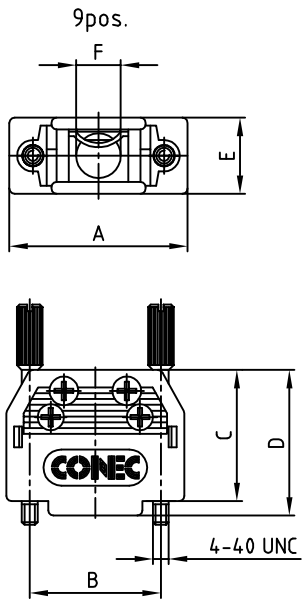


used for: D-SUB



POS.	A	B	C	D	E	F	G	H	K	L	M	Part NO.
9	34.0	25.0	25.0	27.75	14.5	8.5	17.6	12.0	4.8	0.8	2.6	165X10909X
15	42.3	33.3	37.0	39.75	14.5	10.0	17.6	12.0	4.8	0.8	2.6	165X10919X
25	56.0	47.0	37.0	39.75	14.5	10.5	26.4	20.0	4.8	0.8	4.4	165X10929X
37	72.5	63.5	37.0	39.75	14.5	10.5	26.4	20.0	4.8	0.8	4.4	165X10939X

- NOTES:
- HOOD MATERIAL: ABS UL94 V0, METALLIZED
 - SCREWS: BRASS, NICKEL-PLATING
 - CABLE CLAMPS: STEEL, NICKEL-PLATING
 - MAX. MOUNTING TORQUE 0,15 Nm
RECOMMENDED MOUNTING TORQUE 0,1 Nm

THIS DRAWING MAY NOT BE COPIED OR REPRODUCED IN ANY WAY, AND MAY NOT BE PASSED ON TO A THIRD PARTY, WITHOUT WRITTEN PERMISSION. OWNERSHIP AND COPYRIGHT OF CONEC GmbH DO NOT ALTER CAD DRAWING BY HAND	tolerance		dim. in mm		scale: 2:1		
	2011		date	name	material: SEE SPECIFICATION		
	1 x f	Ä 6805	27.07.2017	Lehmen, drawn	20.06.	title: PLASTIC HOOD 9-37pos.	
	1 x e	Ä6403	09.11.2016	Lehmen, appd.	20.06.		Labus
	2 x d	Ä3961	06.04.2011	K,H	norm		
2 x c	Ä3525	14.12.2009	Henne, d-old			dwg no:	
3 x b	Ä1898	08.12.2003	Lehmen,			16K1A972	
a	Original					DIN-A 3 sh:1/1	
rev.	description	date	name			part no: SEE TABLE	

RoHS compliant

