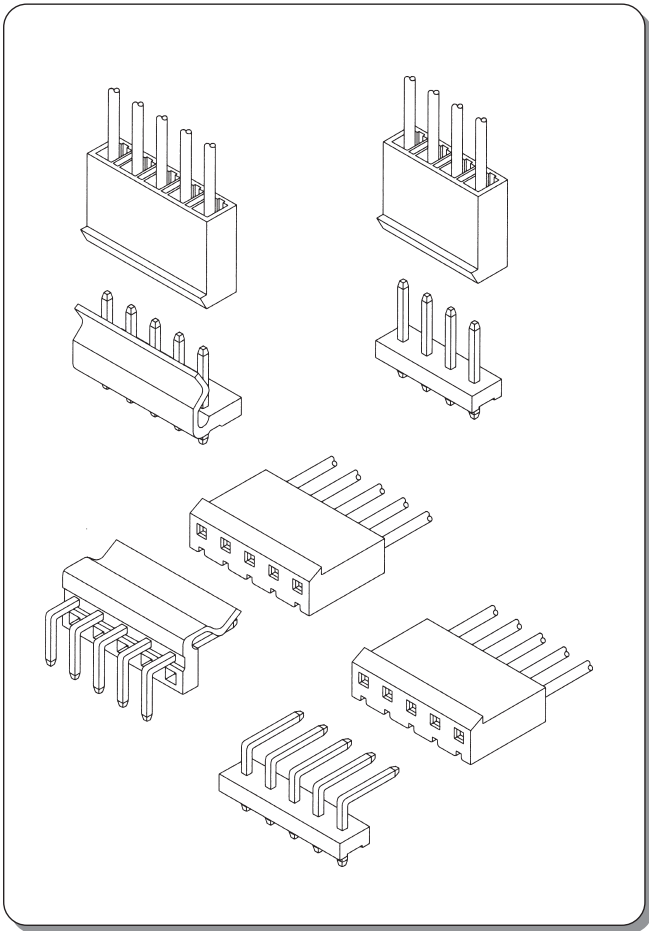




A5081 SERIES

5.08mm pitch wire to board connector



Specifications

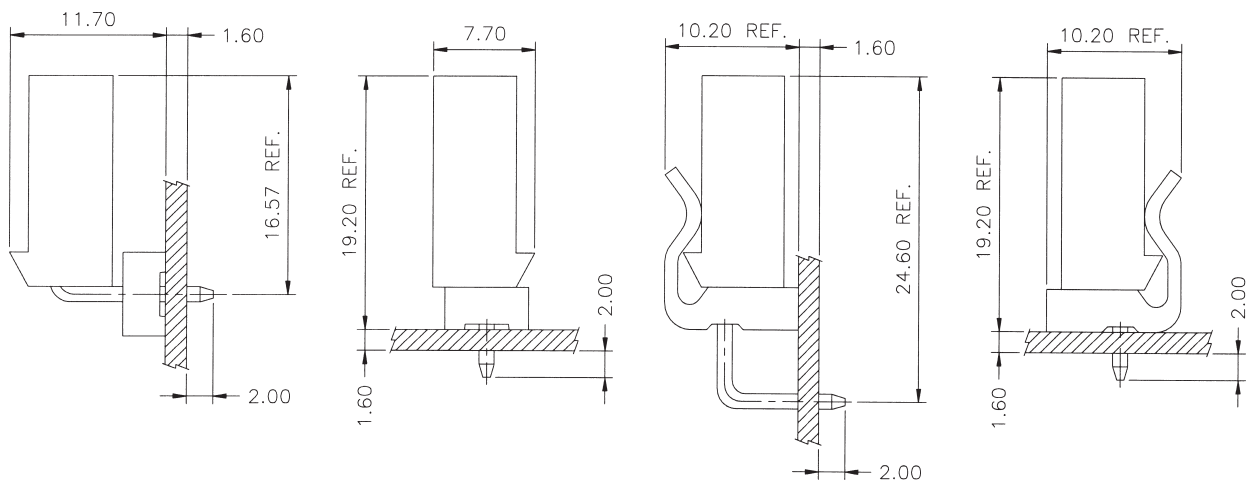
- Current rating: 7A AC,DC
- Voltage rating: 250V AC,DC
- Temperature range: -25 °C ~ +85 °C
- Contact resistance: 10mΩ Max.
- Insulation resistance: 1000MΩ Min.
- Withstanding voltage: 1500V AC/minute
- *Contact H.R for details*

Standards



E179987

Assembly layout



A

B

C



A5081 SERIES

5.08mm pitch wire to board connector

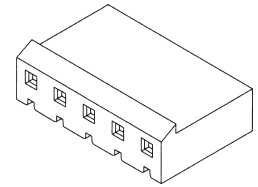
A5081H — 5.08mm pitch Housing

Reference Informations:

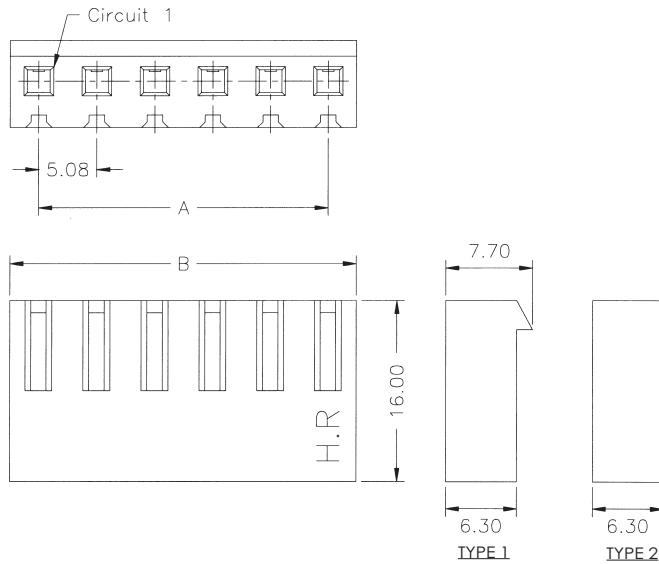
- *Material: Nylon 66,UL94V-2
- *Suitable H.R. A3960 series Terminal
- *Mates with H.R A5081 series Wafer

Ordering Information:

- A5081H-XP - *
- 1
 - 2
- 1.Part No.
- 2.Style:
- 1-Type 1
 - 2-Type 2



Ordering Information & Dimensions:



PART NO.	Dimensions	
	A	B
A5081H-2P	5.08	10.08
A5081H-3P	10.16	15.16
A5081H-4P	15.24	20.24
A5081H-5P	20.32	25.32
A5081H-6P	25.40	30.40
A5081H-7P	30.48	35.48
A5081H-8P	35.56	40.56
A5081H-9P	40.64	45.64
A5081H-10P	45.72	50.72
A5081H-11P	50.80	55.80
A5081H-12P	55.88	60.88
A5081H-13P	60.96	65.96
A5081H-14P	66.04	71.04
A5081H-15P	71.12	76.12
A5081H-16P	76.20	81.20
A5081H-17P	81.28	86.28
A5081H-18P	86.36	91.36
A5081H-19P	91.44	96.44
A5081H-20P	96.52	101.52

Unit:mm