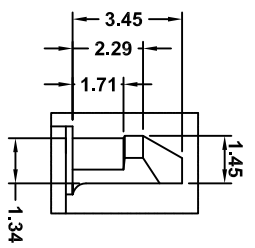
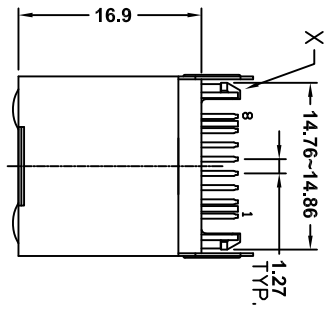
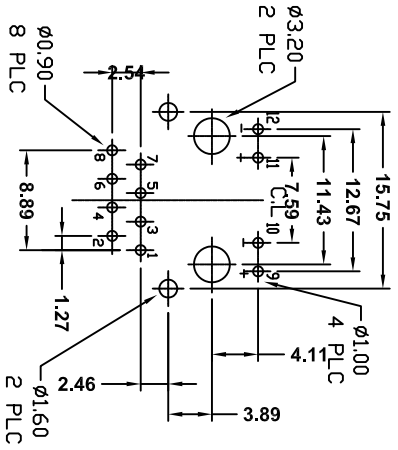
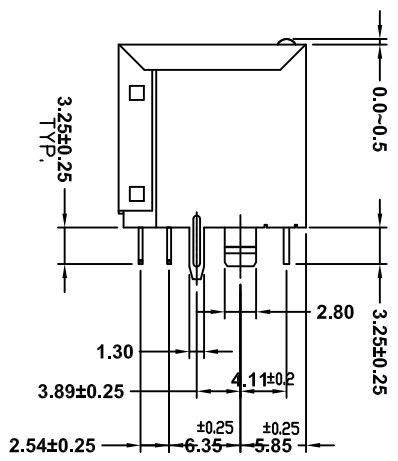
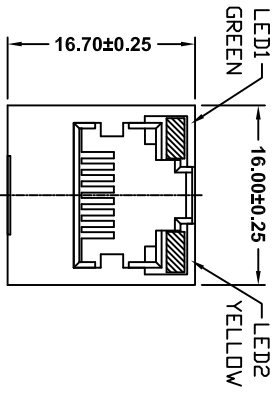


This document is the property of Amphenol Corporation and is delivered on the express condition that it is not to be disclosed, reproduced or used, in whole or in part, for the manufacture or sale by anyone other than Amphenol Corporation without its prior consent, and that no right is granted to disclose or to use any information contained in this document.



DETAIL X



PCB Layout
Ref.

MATERIAL:

- HOUSING-PBT POLYESTER UL 94V-0
- MIXED GLASS FIBER
- STANDARD COLOR-BLACK
- CONTACTS-0.35mm THICK PHOS-BRONZE
- SELECTIVE GOLD PLATED IN CONTACT AREA
- GOLD FLASH PLATED IN SOLDER AREA
- SHIELD-0.25mm THICK COPPER ALLOY, PLATED WITH NICKEL.

CAVITY CONFIRMS TO FCC RULES AND REGULATIONS
PART 68,SUBPART F.

Ordering Information

LMJ213881 X SOL0T6C

- X: Contact Plating
- 1: 15u" gold
- 2: 30u" gold
- 3: 50u" gold
- 4: 6u" gold
- 5: G/F



TOLERANCE (mm)	APPROVALS	DATE	TITLE	UNIT	SIZE	DRAWING N°	REV.
X, ±0.3	DRAWN: Stephane	2012/May/29	10/100 Base-T RJ45, Single port, Top entry, w/LED & Transformer	mm	A4	LMJ213881XSOL0T6C	A
X,X ±0.2	CHECKED: Rob	2012/May/29					
X,XX ±0.15	APPROVED: Rob	2012/May/29					
UNLESS OTHERWISE SPECIFIED							

Amphenol

Amphenol European Design Center

Scale N.A. Sheet 1 of 2

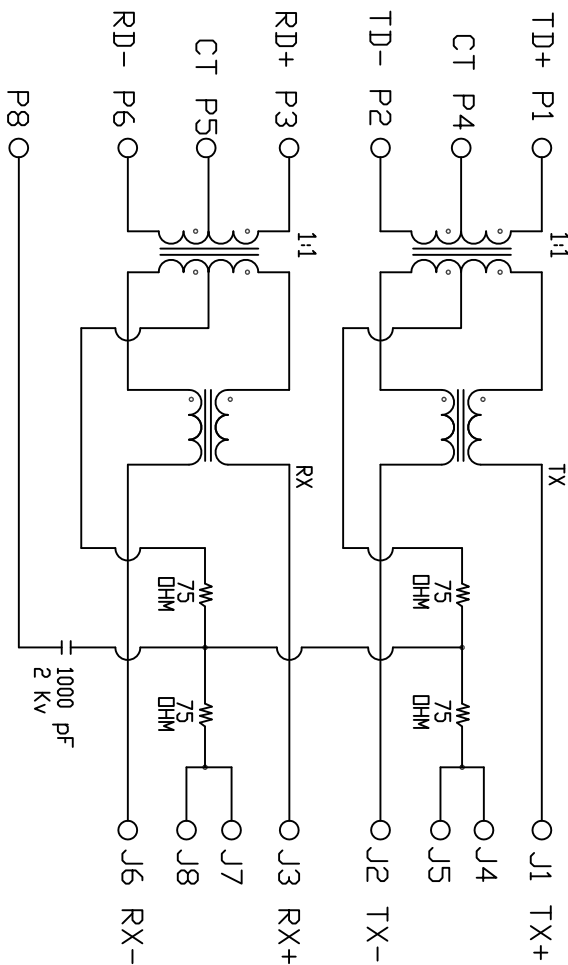
ELECTRICAL CHARACTERISTICS

TEST NOTES: (25°±5°C)

1. TR: (100KHZ, 0.1V);
PINS:(1-2)<(J1-J2)=1CT:1CT±3%;
PINS:(3-6)<(J3-J6)=1CT:1CT±3%;
2. LX: (100KHZ, 100mV, 8mA, DC Bias)
PINS: (1,2),(3,6)=350uH MINIMUM
3. DCR:
PINS: (1-2),(J1-J2),(J3-J6)=1.0 OHMS MAXIMUM.
PINS: (5-6)=1.2 OHMS MAXIMUM.
4. HIPDT:
PINS(1,4,2)TD(J1,J2)=1500VAC FOR 2 SECONDS
PINS(3,5,6)TD(J3,J6)=1500VAC FOR 2 SECONDS
5. INSERTION LOSS:
-10dB MAXIMUM AT 1MHZ TD 100MHZ
6. RETURN LOSS:
-20dB MINIMUM AT 1MHZ TD 30MHZ
-15dB MINIMUM AT 30MHZ TD 60MHZ
-10dB MINIMUM AT 60MHZ TD 100MHZ
7. CROSS TALK:
-30dB MINIMUM AT 1MHZ TD 100MHZ
8. COMMON TD COMMON MODE REJECTION:
-30dB MINIMUM AT 1MHZ TD 100MHZ

CONNECTOR SOLDER SIDE

CONTACT SIDE



CONNECTOR SCHEMATIC



TOLERANCE (mm)	APPROVALS	DATE	TITLE	SCALE	SHEET
X. ±0.3	BRAM Stephane	2012/May/29	10/100 Base-T RJ45, Single port, Top entry, w/LED & Transformer	A4	Sheet 2 of 2
X.X ±0.2	CHECKED Rob	2012/May/29			
X.XX ±0.15	APPROVED Rob	2012/May/29			
UNLESS OTHERWISE SPECIFIED	UNIT	mm	SIZE DRAWING N°	LMJ213881XS010T6C	REV. A