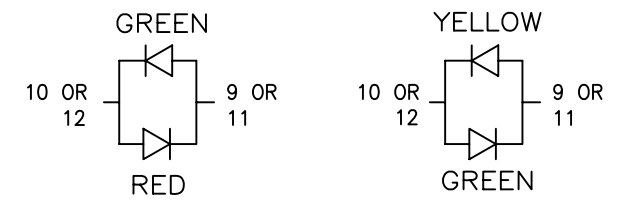
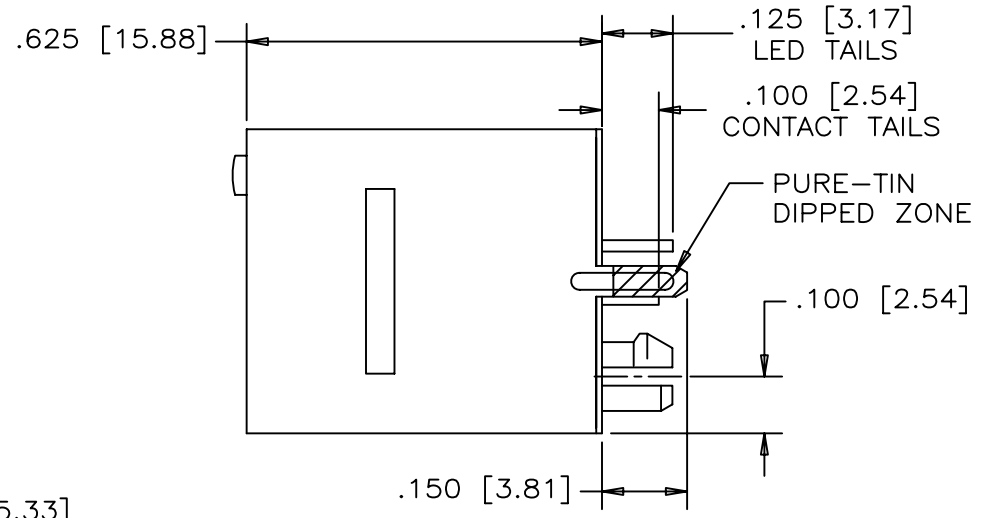
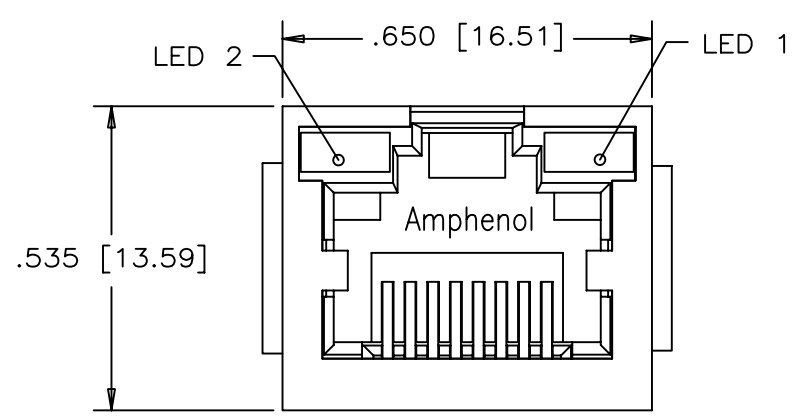
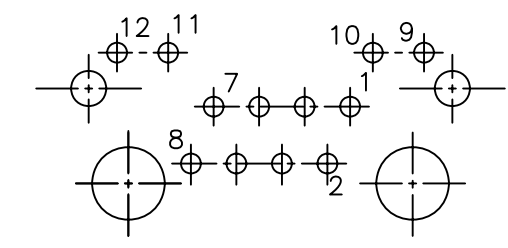
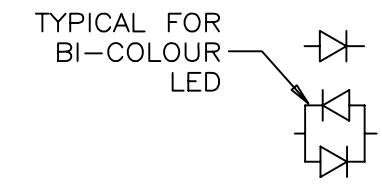


| REVISIONS | | | | |
|-----------|---------------------------|----------|-----------|--------|
| REV. | ECN, ERN NO. | DATE | REV BY | APPRD. |
| B | PROPOSAL | JUL04/06 | JUL04/06 | L.CHAN |
| C | ADD DIMENSION FOR CONTACT | NOV14/06 | Jack Wang | L.CHAN |

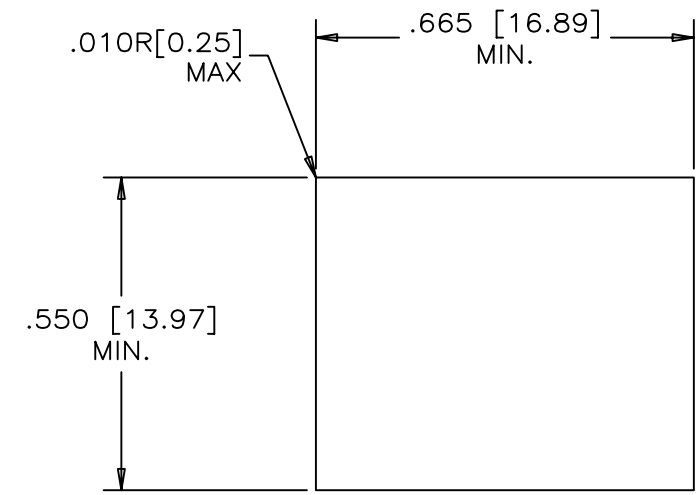
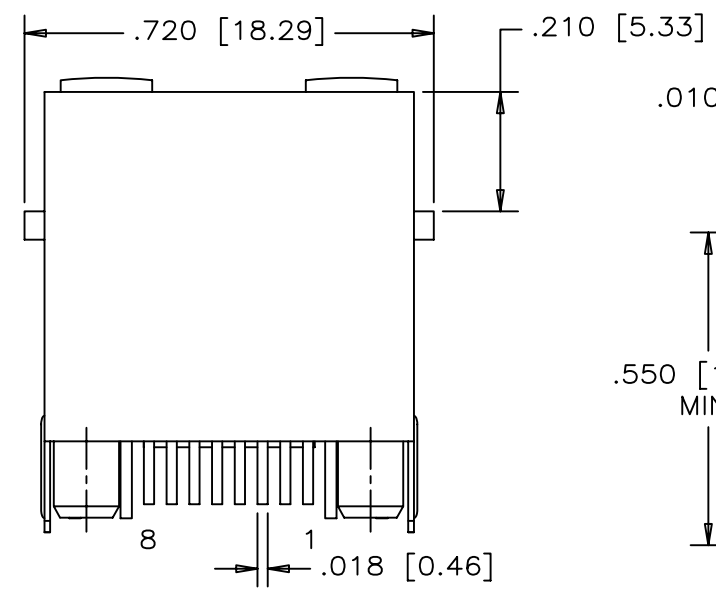


BI-COLOUR LED DETAIL
(RED/YELLOW AND GREEN/ORANGE LED'S ARE ALSO AVAILABLE)

TYPICAL FOR SINGLE COLOR LED (RED, GREEN, OR YELLOW)



LED SCHEMATIC



RECOMMENDED PANEL CUTOUT

MATERIALS:

PLASTIC HOUSING: HIGH TEMPERATURE THERMOPLASTIC
FLAMMABILITY RATING UL 94V-0

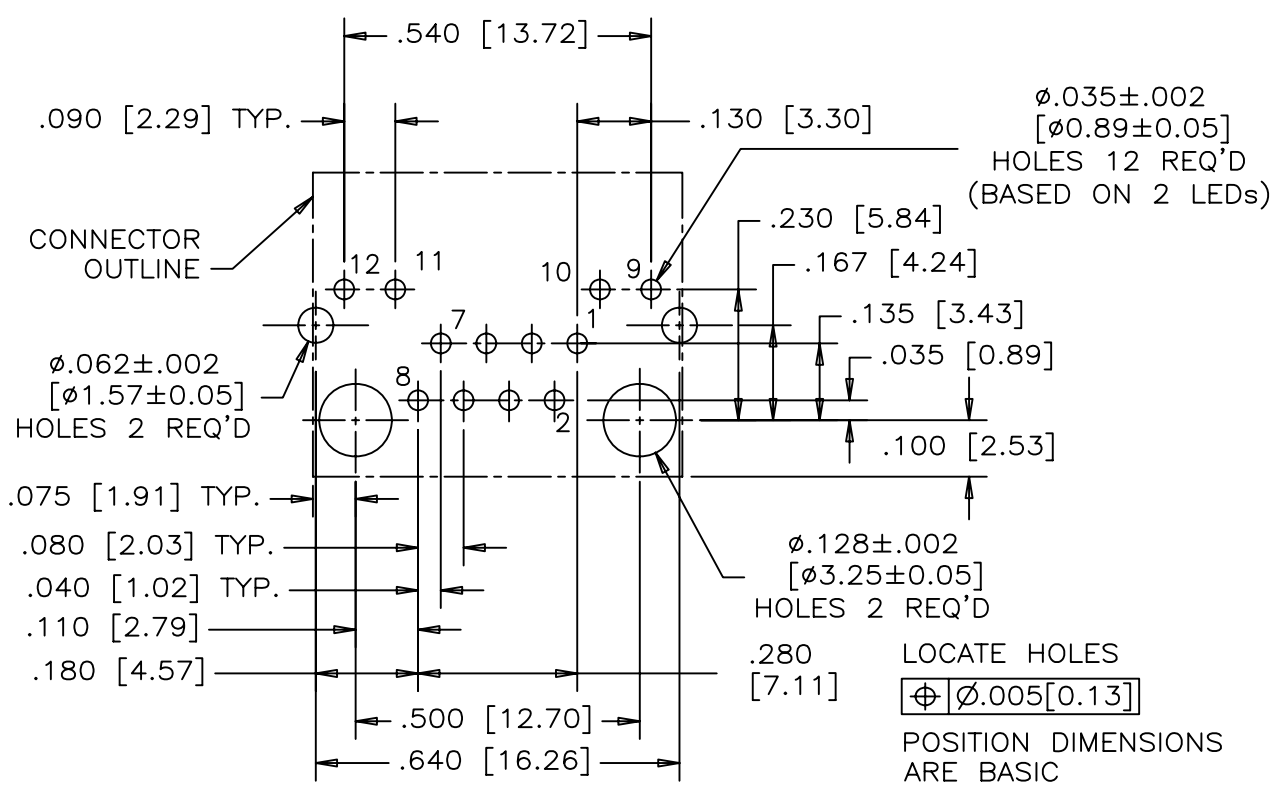
CONTACTS: PHOSPHOR BRONZE
(FLAT) PLATING: 30 μ" [0.76 MICRONS] MIN. GOLD ON MATING SURFACES.
50 μ" [1.27 MICRONS] MIN. NICKEL UNDERPLATE
100 μ" [2.54 MICRONS] MIN. MATTE TIN ON CONTACT TAILS.

SHIELD: COPPER ALLOY
PLATING: NICKEL WITH PURE-TIN DIPPED PCB TAILS.

RECOMMENDED SOLDERING TEMPERATURE:
WAVE SOLDERING TEMPERATURE AT 260°C MAXIMUM FOR 5 SEC MAXIMUM.

AMPHENOL PART NUMBER: RJHSE-338X

REFER TO LED OPTIONS DRAWING FOR ORDERING CODES



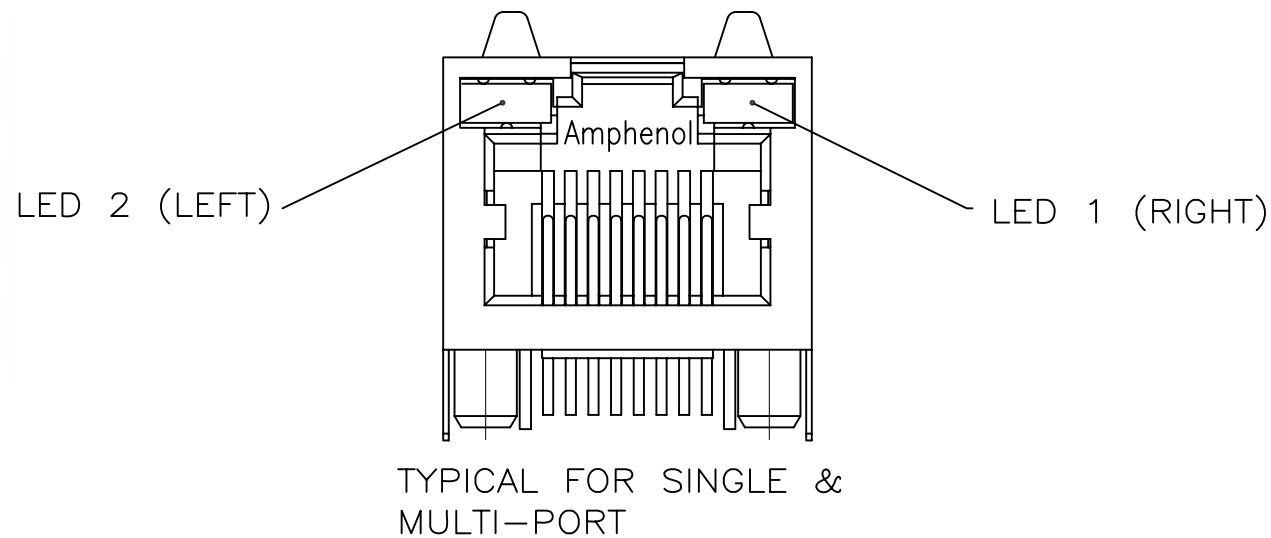
RECOMMENDED P.C.B. LAYOUT
(COMPONENT SIDE OF BOARD)

LOCATE HOLES
POSITION DIMENSIONS ARE BASIC

THIS DOCUMENT CONTAINS PROPRIETARY INFORMATION AND SUCH INFORMATION MAY NOT BE DISCLOSED TO OTHERS FOR ANY PURPOSE OR USED FOR MANUFACTURING PURPOSES WITHOUT WRITTEN PERMISSION FROM AMPHENOL CANADA CORP.

| | | | | |
|----------------|---------------|---|--------------------|--------------|
| DRAWN PAULW | DATE JUL04/06 | Amphenol Canada Corp. | | |
| DESIGNED | | | | |
| CHECKED CHIGOW | DATE JUL04/06 | TITLE | | |
| I. E. APPRD. | | SINGLE-PORT HIGH SPEED MODULAR JACK, 8 POSITIONS, 8 FLAT CONTACTS, WITH LED'S AND SHIELD - RoHS COMPLIANT | | |
| Q. A. APPRD. | | DWG | DRAWING NO. | REV. |
| DWG. APPRD. | | | P-RJHSE-338X | C |
| ENG. REL. NO. | | SCALE | WT. ----- | SURF. ----- |
| REF. | | DIMENSIONS ARE IN INCHES [mm] | CODE ID. NO. 03554 | SHEET 1 OF 1 |

| REVISIONS | | | |
|-----------|------|--------------|-------------|
| SYM | ZONE | ECN, ERN NO. | DATE APPRD. |
| A | | PROPOSAL | SEP21/04 |

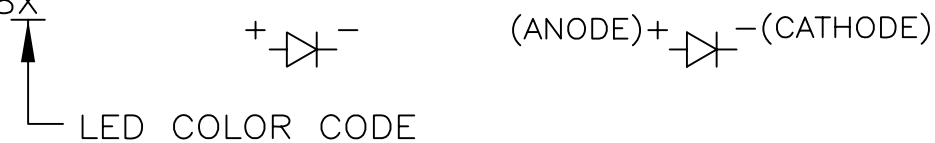


LED SPECIFICATIONS:

FORWARD VOLTAGE: 2.1 VOLTS TYP.
 REVERSE VOLTAGE: 5.0 VOLTS MIN.
 LUMINOUS INTENSITY: 0.5 mCd MIN.
 (AT If=2mA)
 STORAGE TEMPERATURE: -20° TO 85° C
 LEAD SOLDERING TEMPERATURE: 260° C
 (5 SEC, 1/16" FROM CASE)
 PLATING ON TAILS: TIN OR TIN/COPPER ALLOY OVER SILVER

EXAMPLE:

PART NUMBER RJHSE-538X



| CODE | LED 2 (LEFT) | LED 1 (RIGHT) | CODE | LED 2 (LEFT) | LED 1 (RIGHT) | CODE | LED 2 (LEFT) | LED 1 (RIGHT) |
|------|--------------|---------------|------|--------------|---------------|------|--------------------|---------------|
| 0 | BLOCKED | BLOCKED | 9 | GREEN | BLOCKED | J | BiC RD/GR | YELLOW |
| 1 | YELLOW | GREEN | A | BiC GR/YE | BiC GR/YE | K | YELLOW | BiC GR/OR |
| 2 | BLOCKED | GREEN | B | BiC RD/GR | BiC RD/GR | L | BiC GR/YE | RED |
| 3 | YELLOW | BLOCKED | C | BiC RD/GR | BiC GR/YE | M | RED | YELLOW |
| 4 | GREEN | YELLOW | D | GREEN | BiC GR/YE | P | GREEN | BiC RD/GR |
| 5 | GREEN | GREEN | E | YELLOW | BiC GR/YE | R | BiC GR/OR | GREEN |
| 6 | YELLOW | YELLOW | F | BiC GR/YE | YELLOW | T | RED | RED |
| 7 | RED | GREEN | G | BiC GR/OR | BiC GR/OR | V | BiC RD/GR | GREEN |
| 8 | GREEN | RED | H | BiC GR/YE | GREEN | W | ADDITIONAL OPTIONS | |

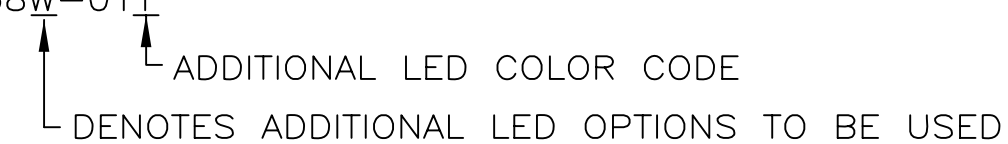
PRIMARY COLOR FOR BI-COLOR LEDS IN STANDARD ANODE/CATHODE CONFIGURATION IS:
 RED-GREEN= RED
 RED-YELLOW= RED
 GREEN-YELLOW= GREEN
 GREEN-ORANGE= GREEN

LEGEND

BiC=BI-COLOR LED
 LOWC=LOW CURRENT LED
 YE=YELLOW
 GR=GREEN
 RD=RED
 OR=ORANGE

EXAMPLE OF ADDITIONAL LED OPTIONS:

PART NUMBER RJHSE-538W-01Y



| CODE | LED 2 (LEFT) | LED 1 (RIGHT) | CODE | LED 2 (LEFT) | LED 1 (RIGHT) | CODE | LED 2 (LEFT) | LED 1 (RIGHT) |
|------|--------------|---------------|------|--------------|---------------|------|--------------|---------------|
| 0 | DO NOT USE | | 5 | BLOCKED | YELLOW | A | LOWC YE | LOWC YE |
| 1 | RED | BLOCKED | 6 | RED | BiC RD/GR | B | LOWC YE | LOWC GR |
| 2 | BiC GR/OR | YELLOW | 7 | BLOCKED | BiC RD/GR | C | LOWC GR | LOWC YE |
| 3 | YELLOW | RED | 8 | BiC RD/GR | BLOCKED | D | LOWC GR | LOWC GR |
| 4 | BLOCKED | RED | 9 | BiC GR/YE | BLOCKED | M | LOWC RD | LOWC YE |

NOTE:

THE TWO DIGITS PRECEDING THE ADDITIONAL LED CODE MUST BE USED IN THE PART NUMBER, WHEN ORDERING ANY OF THE ADDITIONAL LED OPTIONS.

| | |
|-------------------------------|--------------------|
| DRAWN K. LAMBIE | DATE SEP21/04 |
| DESIGNED | |
| CHECKED | |
| I. E. APPRD. | |
| Q. A. APPRD. | |
| DWG. APPRD. | |
| ENG. REL. NO. | |
| REF. EAR 12481 | |
| DIMENSIONS ARE IN INCHES [mm] | CODE ID. NO. 03554 |

Amphenol Canada Corp.

TITLE
 LED OPTIONS FOR RJHSE, SINGLE OR MULTI-PORT CONNECTORS - RoHS COMPLIANT

| | | |
|-------|--------------|--------------|
| DWG | DRAWING NO. | REV. |
| | P-RJHSE-LEDS | A |
| SCALE | WT. ----- | SURF. ----- |
| | | SHEET 1 OF 1 |

THIS DOCUMENT CONTAINS PROPRIETARY INFORMATION AND SUCH INFORMATION MAY NOT BE DISCLOSED TO OTHERS FOR ANY PURPOSE OR USED FOR MANUFACTURING PURPOSES WITHOUT WRITTEN PERMISSION FROM AMPHENOL CANADA CORP.