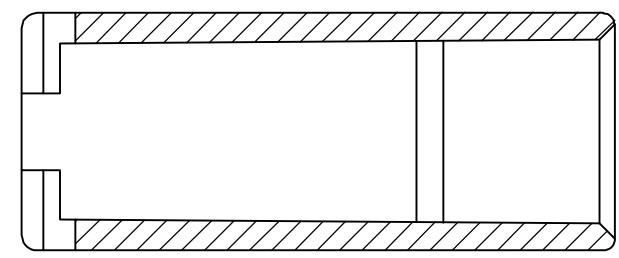


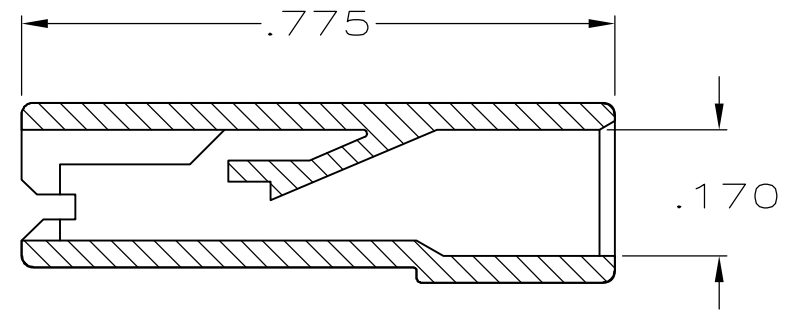
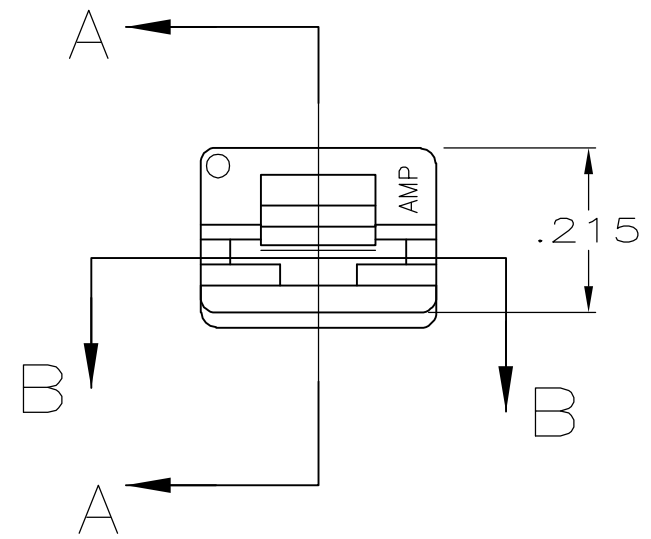
THIS DRAWING IS UNPUBLISHED. RELEASED FOR PUBLICATION
© COPYRIGHT BY TYCO ELECTRONICS CORPORATION. ALL RIGHTS RESERVED.

LOC	DIST	REVISIONS					
AF	50	P	LTR	DESCRIPTION	DATE	DWN	APVD
			V1	REV PER ECR 05-006738	25JUL05	JR	PD

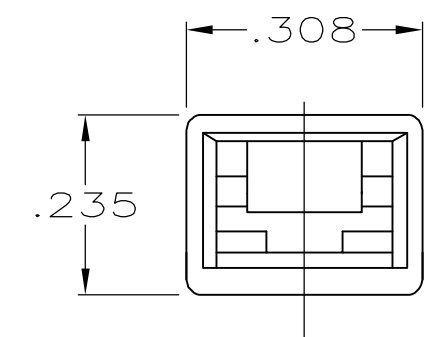
- △1 FOR FOREIGN PRODUCTION ONLY.
- △2 PRELIMINARY - NOT FOR PRODUCTION
- △3 POLYAMIDE, UL 94, V2 ACCORDING TO IEC 60335-1, GLOW WIRE.



SECTION B-B
ROTATED 90° CW



SECTION A-A



△1	NATURAL	UL94 5VA RATED	△2	2-480435-0
△1	NATURAL	-	△3	1-480435-5
△1	NATURAL	6/6 NYLON		1-480435-4
△1	DYED BLACK			1-480435-3
△1	DYED RED			1-480435-2
△1	NATURAL			1-480435-0
	FINISH	MATERIAL		PART NO

THIS DRAWING IS A CONTROLLED DOCUMENT.		DWN	JR RUTH	2/4/91	tyco Electronics	Tyco Electronics Corporation Harrisburg, Pa 17105-3608		
DIMENSIONS: INCHES		CHK	P FORTNEY	2/4/91		NAME HOUSING, RECEPTACLE, FASTON, .187 SERIES	RESTRICTED TO	
TOLERANCES UNLESS OTHERWISE SPECIFIED:		APVD	R KUZO	2/4/91	PRODUCT SPEC		SIZE	CAGE CODE
0 PLC ± -		APPLICATION SPEC	-		WEIGHT	A3 00779		C-480435
1 PLC ± -		-		-		SCALE	4:1	SHEET 1 OF 1
2 PLC ± -		-		-		REV		V1
3 PLC ± .015		-		-		CUSTOMER DRAWING		
4 PLC ± -		-		-		www.pewtronic.com		
ANGLES ± -		-		-				
FINISH		-		-				
SEE TABLE		-		-				