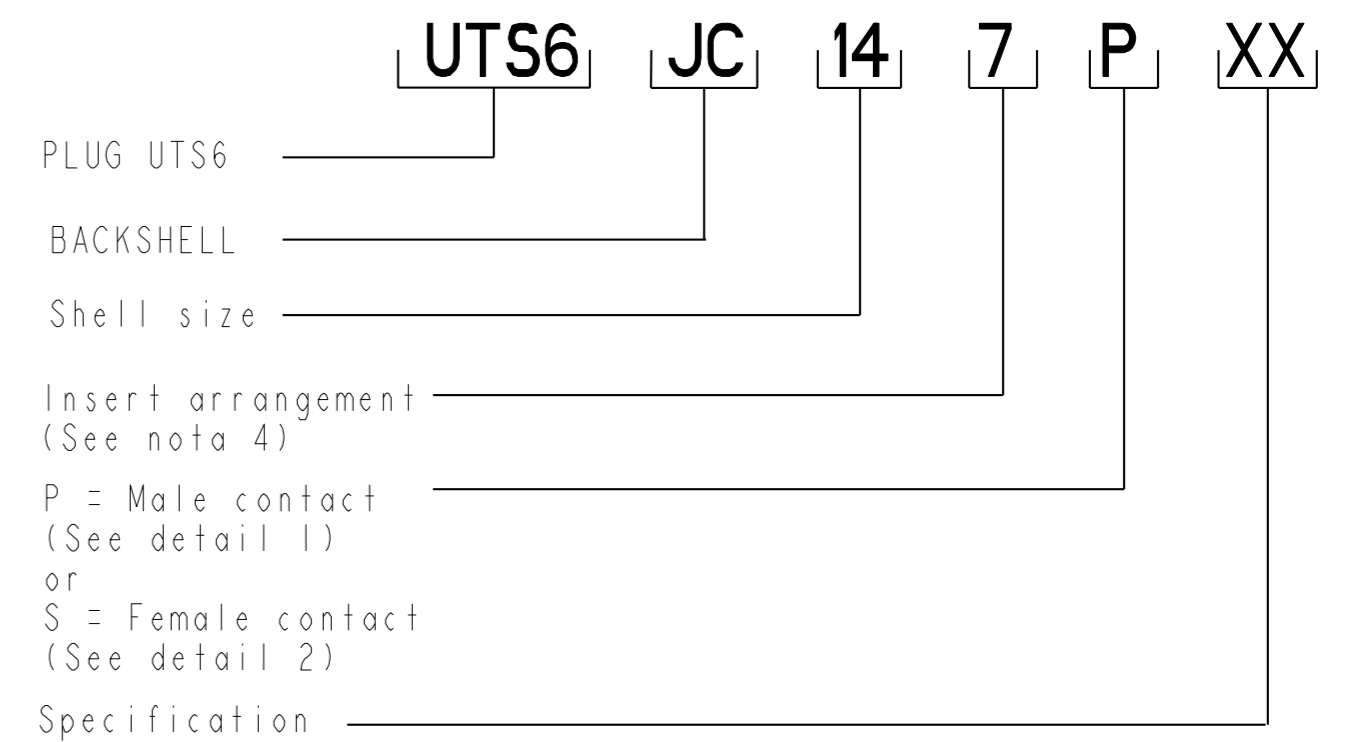
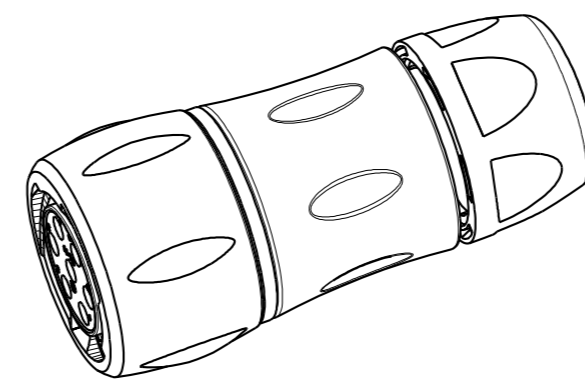


MATERIAL : PLU020914 www.pewtronic.com
 Coupling Nut: Polyamid UL94 V-0
 Inset: Polyamid UL94 V0
 Backshell body : Polyamid UL94 V-0
 Backshell nut: Polyamid UL94 V-0
 Shell : Polyamid UL94 V-0
 Coupling spring : Stainless steel
 O'seal : Nitril

PERFORMANCE CHARACTERISTICS :
 Operating temperature: -40°C up to 105°C
 Insulation resistance: 5000 MΩmin
 Test potential: 2000 Vrms for #16 layout and 1500Vrms for #20 layout
 Corrosion salt spray: 500 hours
 Durability: 250 matings and unmatings
 Sealing in mated conditions:
 - IP68 1 bar during 1 week : immersion under 10 m of water.
PL (IEC 60529)
 - IP69K : exposure to high pressure water of cleaning equipment (DIN 40050)

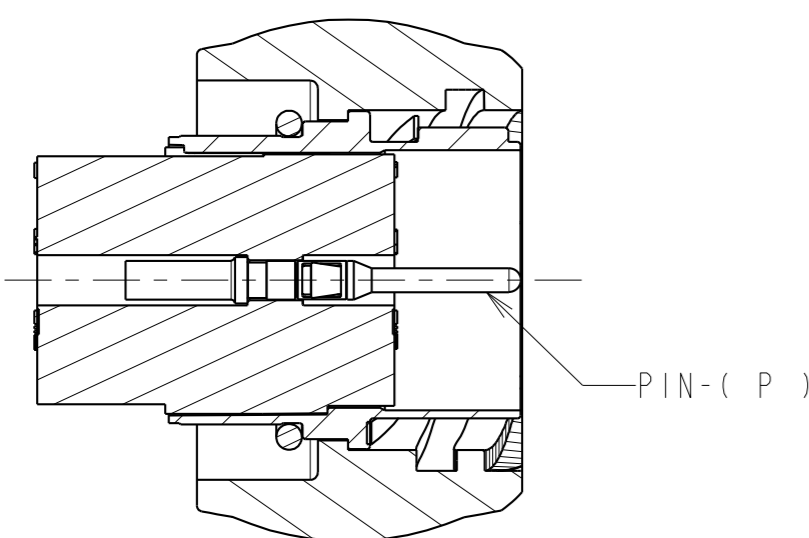
NOTES :
 -1- Plug, backshell and the reducing seal are delivered as a kit. The backshell already includes the standard seal.
 -2- Contact to be ordered separately: refer to TRIM TRIO catalog
 -3- Colored ring to be ordered separately refer to customer drawing C006-UTSI-A
 -4- Insert arrangements: refer to : C008-UTSI-A (Female insulator)
 UTO-CONTACT-L-C02 (Female insulator)
 UTOW-CONTACT-L-C02 (Female insulator)
 C007-UTSI-A (Male insulator)
 UTO-CONTACT-L-C01 (Male insulator)
 UTOW-CONTACT-L-C01 (Male insulator)

SHELL SIZE	Ø A MAX	B MINI	CAPACITY C		HEXAGON D	E MAX	
			STANDARD	REDUCING SEAL		MALE	FEMALE
10	26.7	63.2	2.5 / 8	1.5 / 5	18.5	21	29
12	30.15	66.7	5 / 12	3 / 9	24	25	33
14	35.1	71.5	7 / 14	5 / 12	26	29	36
18	42	81.3	9 / 18	7 / 16	33	37	45

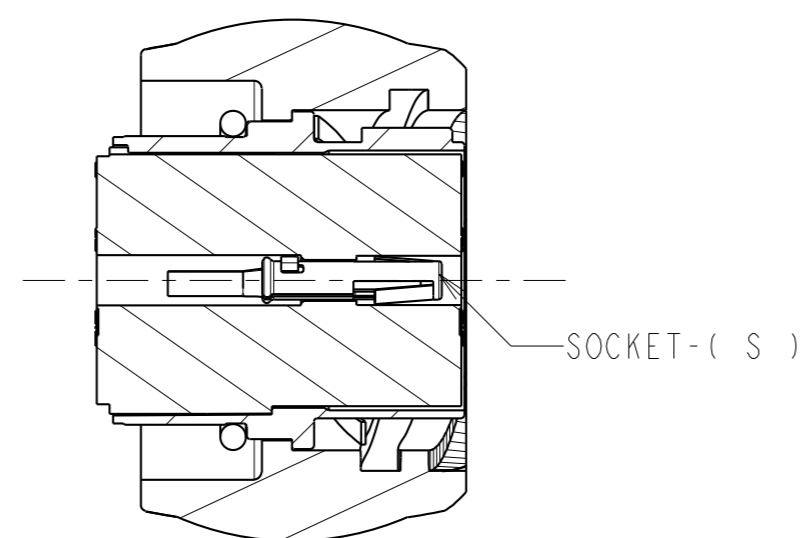


CUSTOMER DRAWING

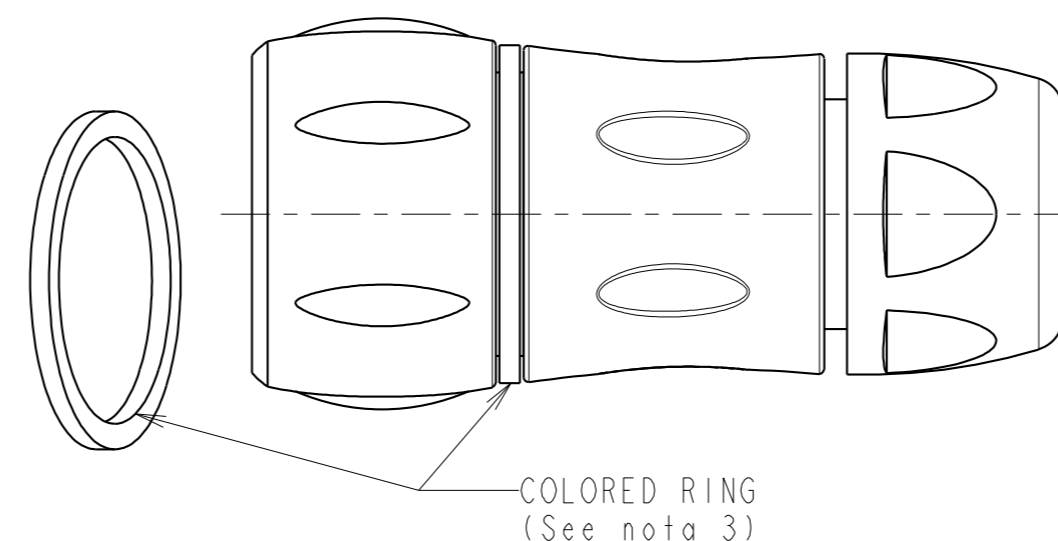
MALE CONNECTOR
(Detail 1)



FEMALE CONNECTOR
(Detail 2)



OPTIONAL PART



B	23/01/08	Add plug size 18	--
ISS	DATE	Latest modification - by:	SORIN V. MOD N°
Designed by:	SORIN V.	Date: 07/04/06	Type of drawing: Customer
Checked by:	SEE DISTRIBUTION LIST	Date:	SEE DISTRIBUTION LIST
TITLE	CABLE PLUG + BACKSHELL UTS CONNECTOR		
Scale	General angular	MATERIAL --	
3/1	Tolerances: ± --	--	
	General linear	General machining surface texture Ra 3.2	Geometrical Tolerances See NF E 04-552
	Tolerances ±0.2		PROJECT UTS1
		SOURIAU Route Nationale 23 72470 CHAMPAGNE Tel. (33)02.43.54.35.00	
This document is the property of SOURIAU It must not be reproduced or communicated without permission		PROJECT UTS1	
FORMAT	SOURIAU DRG N°		SHEET
A2	C002-UTSI-A		NOT EXPORT CONTROLLED