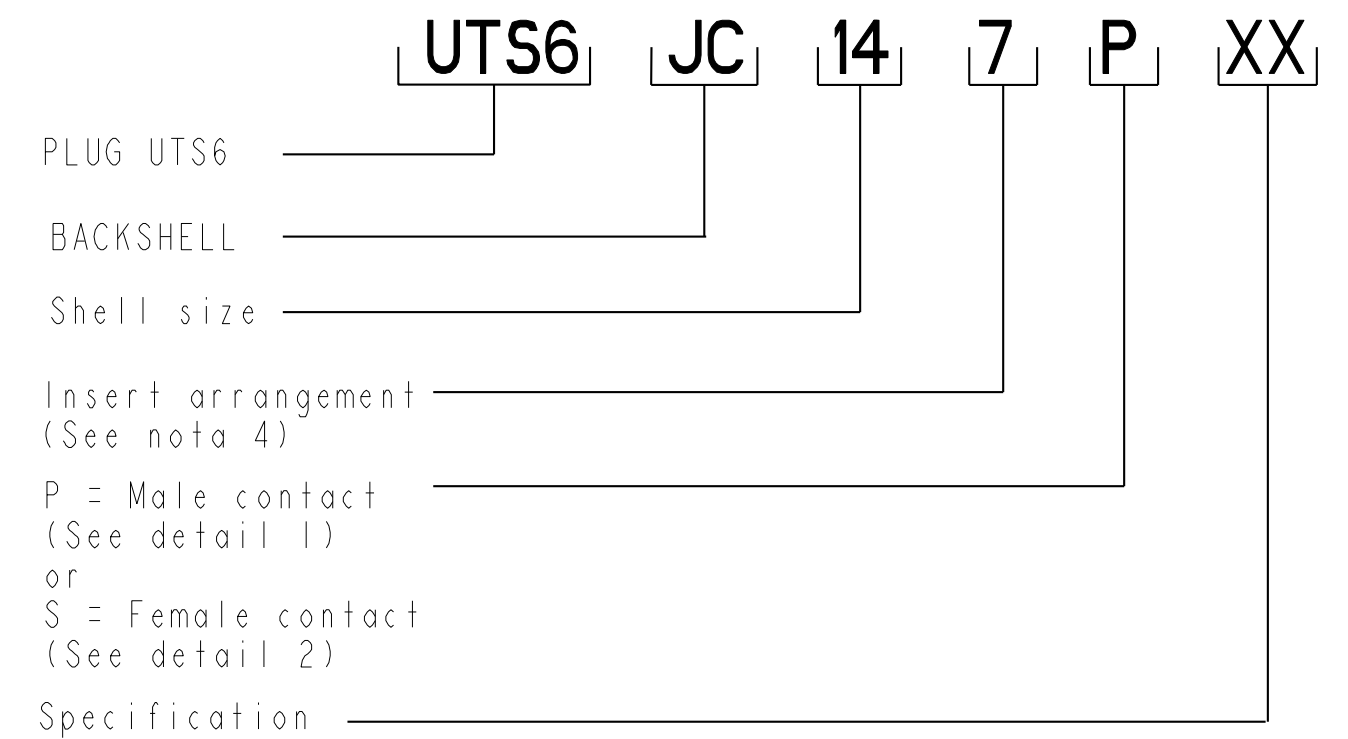
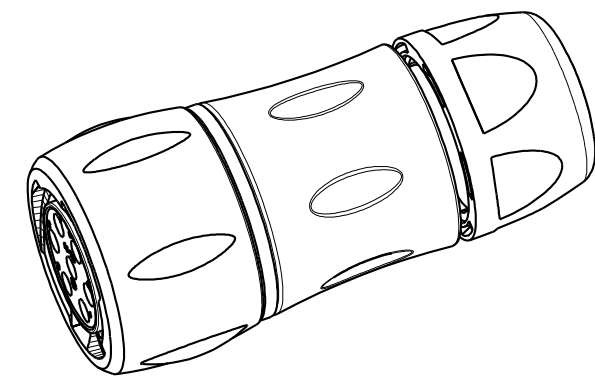


**MATERIAL :** F PLU020913 www.pewtronic.com  
 Coupling Nut: Polyamid UL94 V-0  
 Inset: Polyamid UL94 V0  
 Backshell body : Polyamid UL94 V-0  
 Backshell nut: Polyamid UL94 V-0  
 Shell : Polyamid UL94 V-0  
 Coupling spring : Stainless steel  
 O'seal : Nitril

**PERFORMANCE CHARACTERISTICS :**  
 Operating temperature: -40°C up to 105°C  
 Insulation resistance: 5000 MΩmin  
 Test potential: 2000 Vrms for #16 layout and 1500Vrms for #20 layout  
 Corrosion salt spray: 500 hours  
 Durability: 250 matings and unmatings  
 Sealing in mated conditions:  
 - IP68 1 bar during 1 week : immersion under 10 m of water. (IEC 60529)  
 - IP69K : exposure to high pressure water of cleaning equipment (DIN 40050)

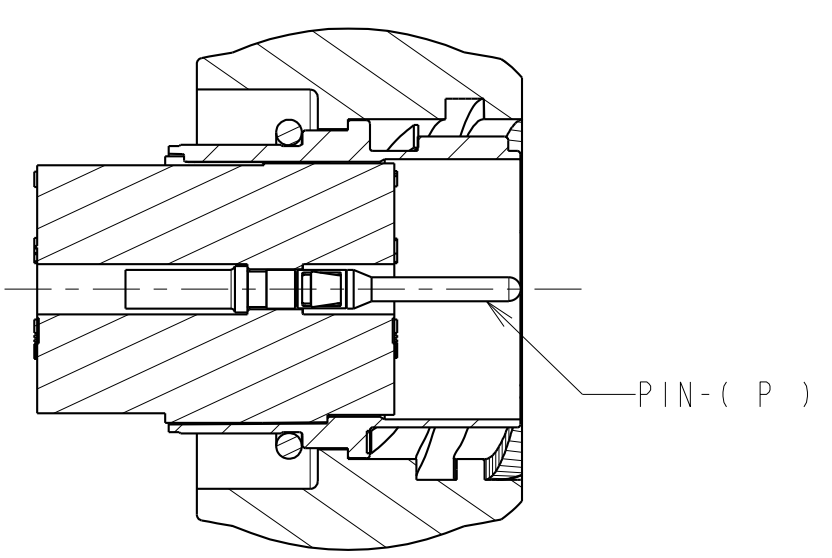
**NOTES :**  
 -1- Plug, backshell and the reducing seal are delivered as a kit. The backshell already includes the standard seal.  
 -2- Contact to be ordered separately: refer to TRIM TRIO catalog  
 -3- Colored ring to be ordered separately refer to customer drawing C006-UTSI-A  
 -4- Insert arrangements: refer to : C008-UTSI-A (Female insulator)  
 UTO-CONTACT-L-C02 (Female insulator)  
 UTOW-CONTACT-L-C02 (Female insulator)  
 C007-UTSI-A (Male insulator)  
 UTO-CONTACT-L-C01 (Male insulator)  
 UTOW-CONTACT-L-C01 (Male insulator)

SHELL SIZE	Ø A MAX	B MINI	CAPACITY C		HEXAGON D	E MAX	
			STANDARD	REDUCING SEAL		MALE	FEMALE
10	26.7	63.2	2.5 / 8	1.5 / 5	18.5	21	29
12	30.15	66.7	5 / 12	3 / 9	24	25	33
14	35.1	71.5	7 / 14	5 / 12	26	29	36
18	42	81.3	9 / 18	7 / 16	33	37	45

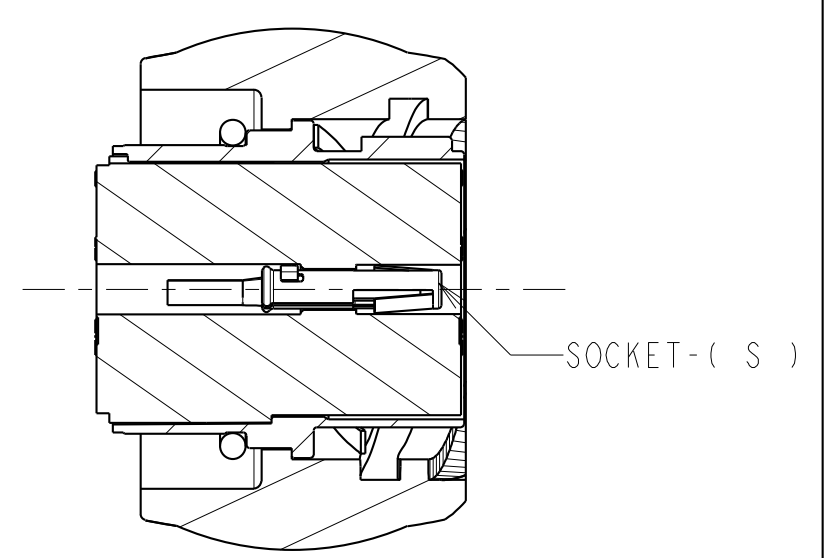


CUSTOMER DRAWING

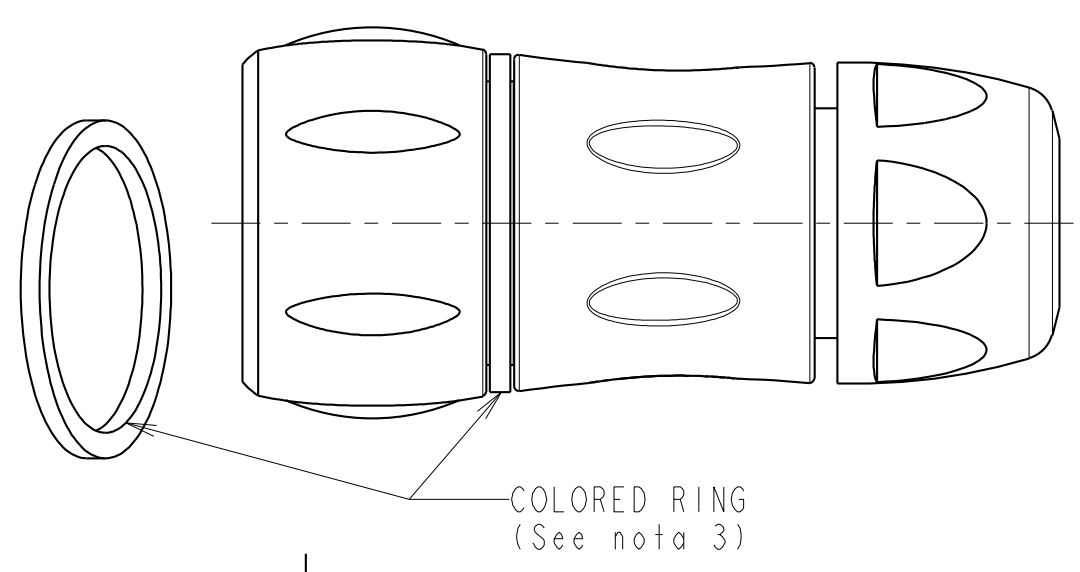
**MALE CONNECTOR**  
(Detail 1)



**FEMALE CONNECTOR**  
(Detail 2)



**OPTIONAL PART**



B	23/01/08	Add plug size 18	--
ISS	DATE	Latest modification - by:	SORIN V. MOD N°
Designed by:	SORIN V.	Date: 07/04/06	Type of drawing: Customer
Checked by:	SEE DISTRIBUTION LIST	Date:	SEE DISTRIBUTION LIST
TITLE	CABLE PLUG + BACKSHELL UTS CONNECTOR		
Scale	General angular	MATERIAL --	
3/1	Tolerances: ± --	--	
	General linear	General machining surface texture Ra 3.2	Geometrical Tolerances See NF E 04-552
	Tolerances ±0.2		PROJECT UTS1
		<b>SOURIAU</b> Route Nationale 23 72470 CHAMPAGNE Tel. (33)02.43.54.35.00	This document is the property of SOURIAU It must not be reproduced or communicated without permission
FORMAT	SOURIAU DRG N°		SHEET
A2	C002-UTSI-A		NOT EXPORT CONTROLLED