



Datenblatt - Fiche technique - Data sheet

21.17.3063

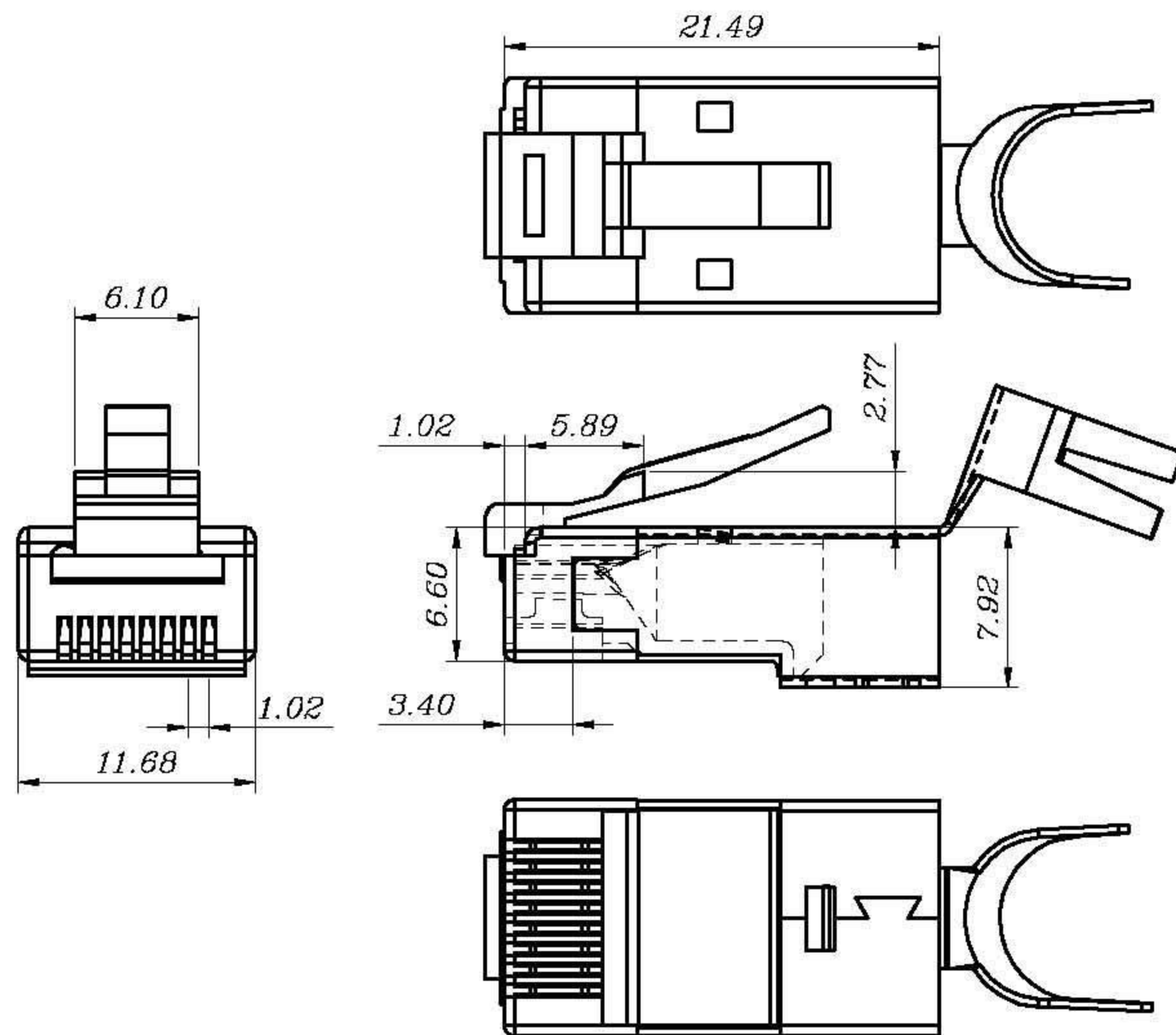


ROLINE Modular Plug geschirmt, Kat. 6 für Massivdraht, 10 Stck

ROLINE Connecteur modulaire blindé Cat. 6 pour fil solide, 10 unités

ROLINE Cat.6 Modular Plug, shielded, for Solid Wire, 10 pcs.

更改 REV	出图日期 DATE	设变内容 MODIFICATION	修 改 DRAWN
	04/05/09		

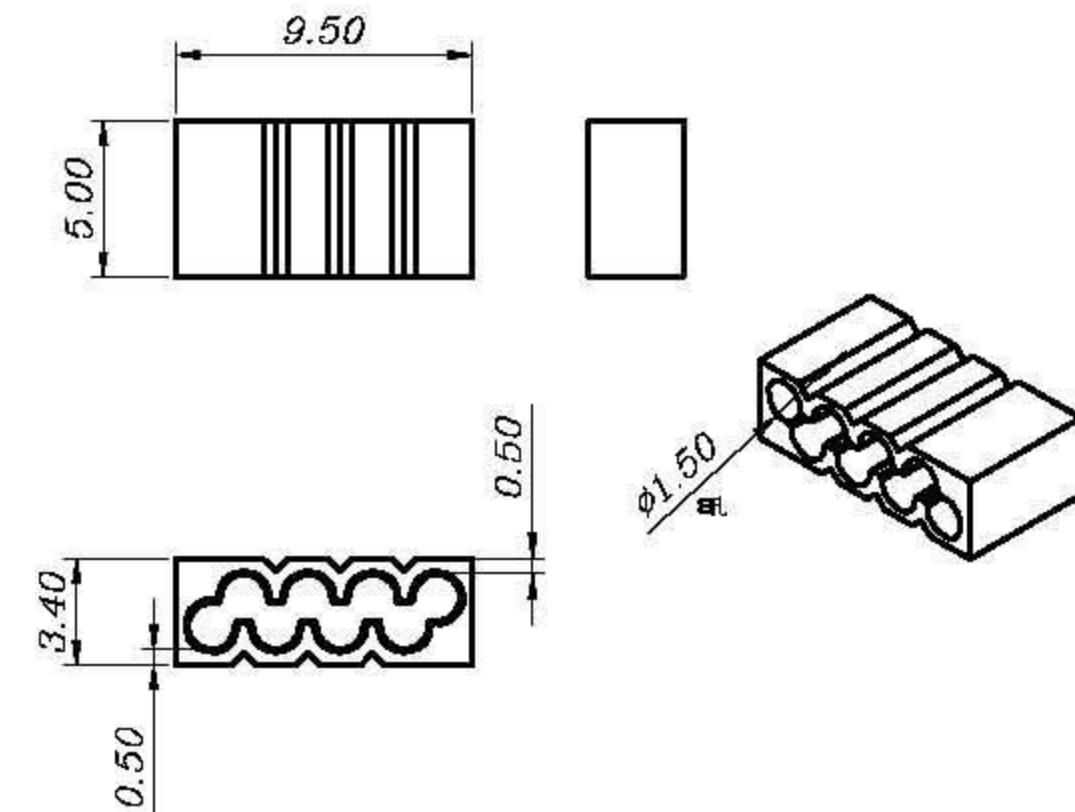


SPECIFICATIONS

1. ELECTRICAL:
 UL APPLICATIONS: 250 VOLTS AC MAX., AT 2 AMPS.
 DIELECTRIC WITHSTANDING VOLTAGE: 500 VOLTS AC.
 INSULATION RESISTANCE: 100 MΩ.
 TERMINATION: RESISTANCE 20mΩ MAX AFTER ENVIRONMENTAL TESTING.

2. MECHANICAL:
 CABLE-TO-PLUG TENSILE STRENGTH: 20 POUND MIN.
 DURABILITY: 200 MATING CYCLES.

3. MATERIAL & FINISH:
 HOUSING: POLYCARBONATE, UL94V-0 OR UL94V-2.
 COLOR: TRANSPARENT OR OTHER COLOR ARE AVAILABLE.
 CONTACT BLADE: COPPER ALLOY.
 CONDUCTOR: STRANDED & SOLID WIRE, 24AWG, 26 AWG.
 GOLD PLATING: 3u"~50u", ARE AVAILABLE.



BLADE:	E	Y	Z	A	YL	ZL			
Drawing									
Mark				✓					
GOLD PLATING	3Mu"	3u"	6u"	15u"	30u"	50u"	CABLE TYPE	ROUND	FLAT
Mark						✓	Mark	✓	

ROTRONIC CO., LTD.			
DIMENSION IN mm (Inch) TOLERANCE UNLESS OTHERWISE SPECIFIED		Material: PC	Item no.: 21.17.3063
.X±0.20	.X°±5°	ROLINE Cat. 6 Modular Plug, STP, for Solid	
.XX±0.10	.XX°±2°		
审核 APPROVAL	核 对 CHECKED	制图 DRAWN	比例 SCALE 2/1
沈红波	钟均江	LiWenjuan	张数 SHEET 1/1
			更改 REV A

ST-DR-009A