

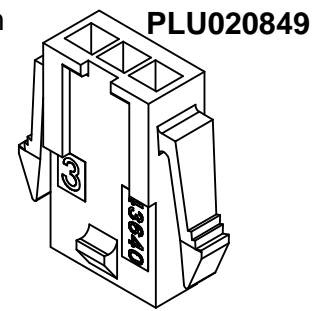
ASSEMBLY ITEM NUMBER	PART CHARACTERISTICS NUMBER OF POSITION
43640-0200	02
43640-0300	03
43640-0400	04
43640-0500	05
43640-0600	06
43640-0700	07
43640-0800	08
43640-0900	09
43640-1000	10
43640-1100	11
43640-1200	12

CKT. NO.	DIM. "A"	DIM. "B"	DIM. "C"	DIM. "D"
2	.270/6.85	.118/3.00	.284/7.21	.429/10.90
3	.388/9.85	.236/6.00	.402/10.21	.547/13.89
4	.506/12.85	.354/9.00	.520/13.21	.665/16.89
5	.624/15.85	.472/12.00	.638/16.21	.783/19.89
6	.742/18.85	.591/15.00	.756/19.21	.901/22.89
7	.860/21.85	.709/18.00	.874/22.20	1.019/25.88
8	.978/24.85	.827/21.00	.992/25.20	1.137/28.88
9	1.096/27.85	.945/24.00	1.110/28.20	1.255/31.88
10	1.215/30.85	1.063/27.00	1.229/31.22	1.373/34.87
11	1.333/33.85	1.181/30.00	1.347/34.22	1.491/37.87
12	1.451/36.85	1.299/33.00	1.465/37.22	1.609/40.87

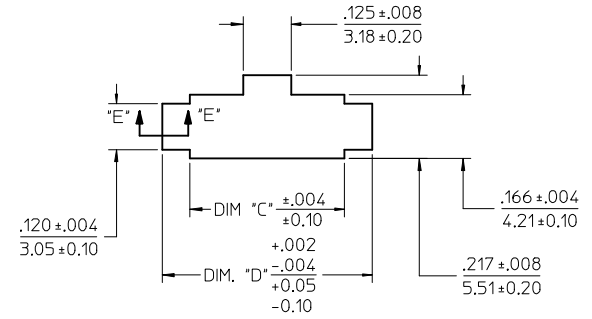
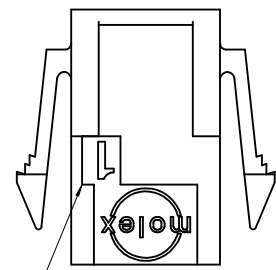
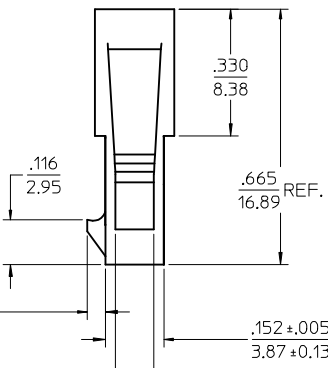
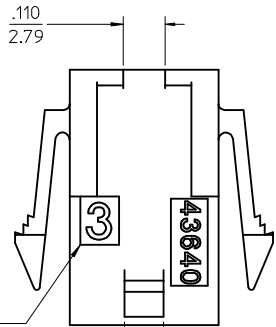
NOTES:

- HOUSING MATERIAL: UNFILLED NYLON, RATED UL94V-0 COLOR IS BLACK, (HALOGEN-FREE)
- FINISH: NONE
- PRODUCT SPECIFICATION: PS-43650
- PACKAGING SPECIFICATION: PK-43640-003
- THIS HOUSING MATES WITH MICRO-FIT RECEPTACLE #43645-****.
- THIS HOUSING IS DESIGNED IN METRIC
- THIS HOUSING TO BE USED WITH MOLEX MALE TERMINAL #43031-****.
- PLUG DESIGNED FOR .062/1.57 TO .090/2.30 THICK STAMPED PANEL OR PRINTED CIRCUIT BOARD.
- SEE SECTION "D"- "D" FOR TERMINAL ORIENTATION IN HOUSING.
- SEE SHEET 2 FOR PLUG WITHOUT PANEL MOUNTS.
- PANEL MOUNT FEATURES MUST LOCK ON SIDE OPPOSITE PUNCH SIDE FOR OPTIMUM RETENTION.
- LAST CIRCUIT INDICATOR IS NOT PRESENT ON 2 CIRCUIT HOUSING.
- THIS PART CONFORMS TO CLASS B REQUIREMENTS OF COSMETIC SPECIFICATION PS-45499-002.

www.pewtronic.com



PLUG WITH PANEL MOUNTS

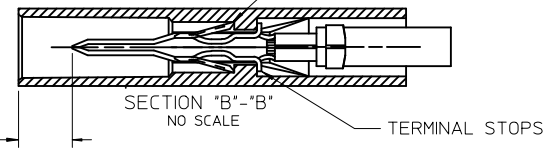
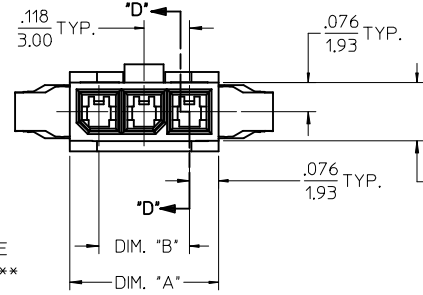


RECOMMENDED PANEL CUT-OUT

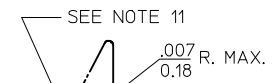
LAST CIRCUIT INDICATOR (SEE NOTE 12)

FIRST CIRCUIT INDICATOR

TERMINAL LOCKING TABS MUST BE FULLY SEATED TO HOUSING BEFORE MATING WITH OTHER HALF OF CONNECTOR SYSTEM.



SECTION "B"- "B" NO SCALE



SECTION "E"- "E" NO SCALE

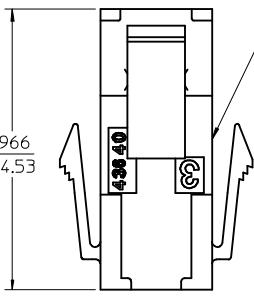
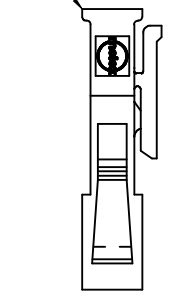
SECTION "E"- "E" NO SCALE

RECEPTACLE # 43645-****

PLUG # 43640-***00

TERMINAL #43031-****

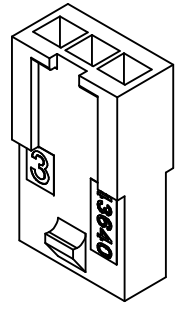
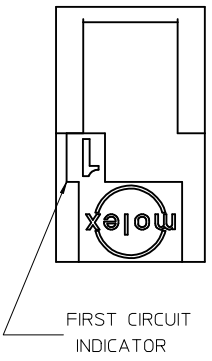
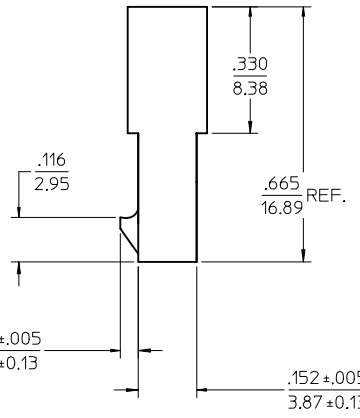
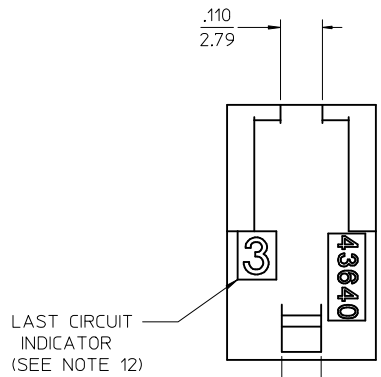
SECTION "D"- "D" WITH TERMINAL NO SCALE



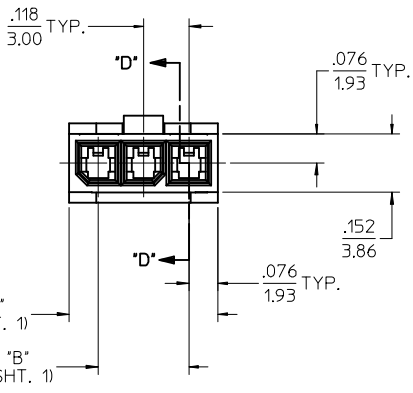
MATED MICRO-FIT CONNECTOR

TERMINAL GEOMETRY IEC NO: UCP2015-4271 IDRWIN:IDFOX 2015/04/15 CHKD:SSOUSEK 2015/04/15 APPR:FSM/TH 2015/05/08	QUALITY SYMBOLS ▽=0 ▽=0 ▽=0	GENERAL TOLERANCES (UNLESS SPECIFIED)		DIMENSION STYLE IN/MM		SCALE 4:1	DESIGN UNITS METRIC	THIRD ANGLE PROJECTION
		mm	INCH	DRAWN BY AFG	DATE 1996/01/19			
		4 PLACES	± .004	± .004	CHECKED BY BAP	DATE 1996/01/19	MICRO-FIT (3.0) IN-LINE 2 THRU 12 CIRCUIT PLUG W/ OPTIONAL PANEL MOUNTS molex DOCUMENT NO. SD-43640-**** SHEET NO. 1 OF 2	
		3 PLACES	± .004	± .010	APPROVED BY RJF	DATE 1996/01/19		
		2 PLACES	± 0.25	± .014				
		1 PLACE	± 0.35	± .014				
		0 PLACE	±	±				
		ANGULAR ± 5 °		MATERIAL NO. SEE CHART				
		DRAFT WHERE APPLICABLE MUST REMAIN WITHIN DIMENSIONS		SIZE C				

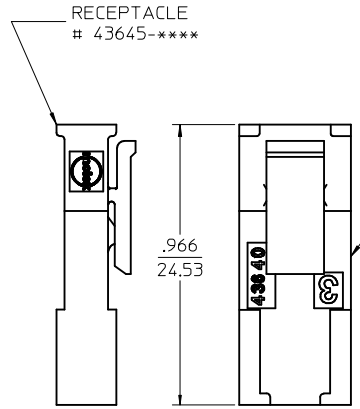
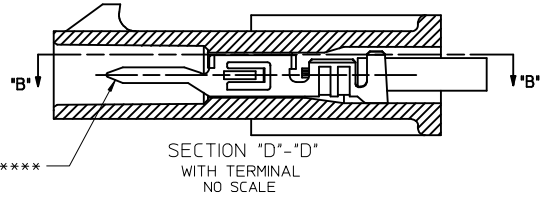
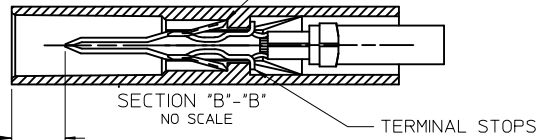
ASSEMBLY ITEM NUMBER	PART CHARACTERISTICS NUMBER OF POSITION
43640-0201	02
43640-0301	03
43640-0401	04
43640-0501	05
43640-0601	06
43640-0701	07
43640-0801	08
43640-0901	09
43640-1001	10
43640-1101	11
43640-1201	12



PLUG WITHOUT PANEL MOUNTS



TERMINAL LOCKING TABS MUST BE FULLY SEATED TO HOUSING BEFORE MATING WITH OTHER HALF OF CONNECTOR SYSTEM.



MATED MICRO-FIT CONNECTOR

TERMINAL GEOMETRY EC NO: UCP2015-4271 DRWN: DFOX 2015/04/15 CHKD: SSOUSEK 2015/04/15 APPR: FSMITH 2015/05/08	QUALITY SYMBOLS ▽=0 ▽=0 ▽=0	GENERAL TOLERANCES (UNLESS SPECIFIED)		DIMENSION STYLE IN/MM		SCALE 4:1	DESIGN UNITS METRIC	THIRD ANGLE PROJECTION	
		mm	INCH	DRAWN BY AFG	DATE 1996/01/19	TITLE MICRO-FIT (3.0) IN-LINE 2 THRU 12 CIRCUIT PLUG W/ OPTIONAL PANEL MOUNTS molex			
4 PLACES ± --- ± ---		3 PLACES ± --- ± .010		CHECKED BY BAP					
2 PLACES ± 0.25 ± .014		1 PLACE ± 0.35 ± ---		APPROVED BY RJF		DATE 1996/01/19			
0 PLACE ± ±		ANGULAR ± 5 °		MATERIAL NO. SEE CHART		DOCUMENT NO. SD-43640-****		SHEET NO. 2 OF 2	
DRAFT WHERE APPLICABLE MUST REMAIN WITHIN DIMENSIONS		SIZE C		THIS DRAWING CONTAINS INFORMATION THAT IS PROPRIETARY TO MOLEX INCORPORATED AND SHOULD NOT BE USED WITHOUT WRITTEN PERMISSION					