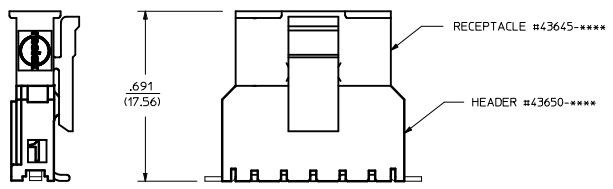


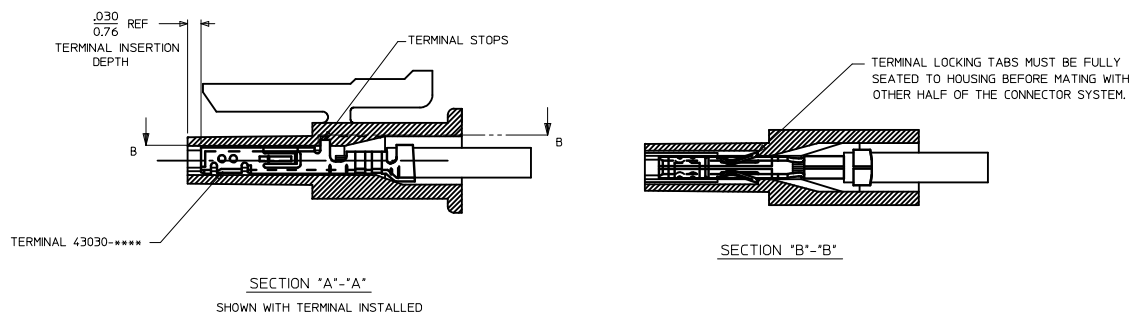
ITEM NUMBER	NUMBER OF CIRCUIT	DIM. 'A'	DIM. 'B'	MATERIAL
43645-0200	02	SEE DETAIL	.118/(3.00)	'B'
43645-0300	03	.388/(9.85)	.236/(6.00)	
43645-0400	04	.506/(12.85)	.354/(9.00)	'A'
43645-0500	05	.624/(15.85)	.472/(12.00)	
43645-0600	06	.742/(18.85)	.591/(15.00)	
43645-0700	07	.860/(21.85)	.709/(18.00)	
43645-0800	08	.978/(24.85)	.827/(21.00)	
43645-0900	09	1.096/(27.85)	.945/(24.00)	
43645-1000	10	1.215/(30.85)	1.063/(27.00)	
43645-1100	11	1.333/(33.85)	1.181/(30.00)	
43645-1200	12	1.451/(36.85)	1.299/(33.00)	

**(3-12 CIRCUIT HOUSING)**

**(2 CIRCUIT HOUSING)**

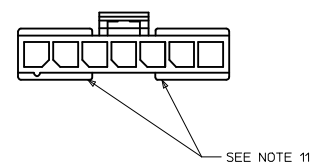


**MATED MICRO-FIT CONNECTOR**

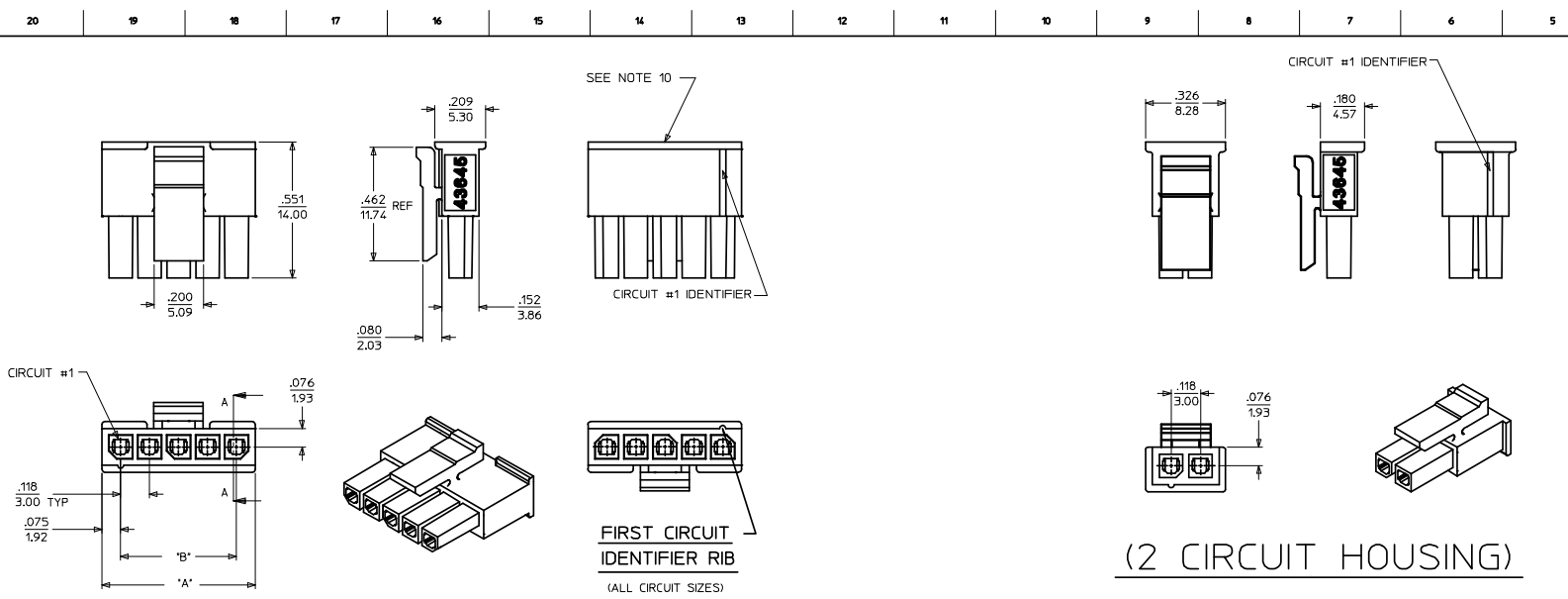


**NOTES:**

- HOUSING MATERIAL:  
 'A' - UNFILLED POLYESTER, RATED UL, 94V-0, COLOR IS BLACK.  
 'B' - UNFILLED NYLON, RATED UL, 94V-0, HALOGEN-FREE, COLOR IS BLACK.  
 FINISH : N/A
- PRODUCT SPECIFICATION : PS-43650
- PACKAGING SPECIFICATION: PK-43645-001
- THIS RECEPTACLE ACCEPTS MOLEX MICRO FIT FEMALE CRIMP TERMINALS ONLY. SEE MOLEX DRAWING SD-43030-\*\*\*\* FOR SPECIFICATIONS.
- SEE SECTION 'A'-'A' FOR TERMINAL ORIENTATION IN HOUSING.
- FOR OVERMOLDING PARAMETERS SEE ENGINEERING SPECIFICATION #SDS-43025-1000.
- THIS RECEPTACLE MATES WITH MOLEX PCB HEADER 43650 SERIES AND MOLEX PLUG 43640 SERIES (WIRE TO WIRE APPLICATIONS).
- SOME HOUSINGS MAY HAVE A SMALL GATE BLEMISH NEAR THE GATE LOCATION THAT DOES NOT AFFECT FUNCTIONALITY.
- MOLEX RECOMMENDS THE USE OF MICRO-FIT TEST PLUG, SERIES 44242-\*\*\*\* WHENEVER CONTINUITY TESTING IS PERFORMED. TEST PLUGS MUST NOT BE USED TO MAKE OR BREAK UNDER LOAD. MOLEX DOES NOT RECOMMEND USING STANDARD MATING COMPONENTS FOR HARNESS TESTING PURPOSES.
- THIS RIB IS DISCONTINUOUS ON CIRCUIT SIZES 7 THROUGH 12
- PART CONFORMS TO CLASS 'B' REQUIREMENTS OF COSMETIC SPECIFICATION PS-45499-002.



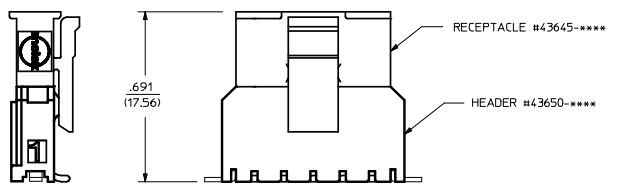
ADD PK SPEC REC NO: UCP2012-1450 DRW: M. W. STROH 2012/07/03 CHK: D. S. OASEK 2012/07/05 APPR: S. SMITH 2012/07/09 REV F2	QUALITY SYMBOLS ∇=0 ∇=0 ∇=0	GENERAL TOLERANCES (UNLESS SPECIFIED) 4 PLACES ± --- ± --- 3 PLACES ± --- ± .010 2 PLACES ± 0.25 ± .014 1 PLACE ± 0.35 ± --- 0 PLACE ± ± ANGULAR ±1/2° DRAFT WHERE APPLICABLE MUST REMAIN WITHIN DIMENSIONS	DIMENSION STYLE IN/MM SCALE 4:1 DESIGN UNITS METRIC THIRD ANGLE PROJECTION	DRAWN BY DATE A. F. G. 1995/11/15 CHECKED BY DATE B. A. P. 1995/11/15 APPROVED BY DATE R. J. F. 1995/11/15	TITLE MICRO-FIT (3.0) 2 THRU 12 SINGLE ROW RECEPTACLE <b>molex</b>	MATERIAL NO. SEE CHART DOCUMENT NO. SDA-43645-**** SHEET NO. 1 OF 1
	THIS DRAWING CONTAINS INFORMATION THAT IS PROPRIETARY TO MOLEX INCORPORATED AND SHOULD NOT BE USED WITHOUT WRITTEN PERMISSION					



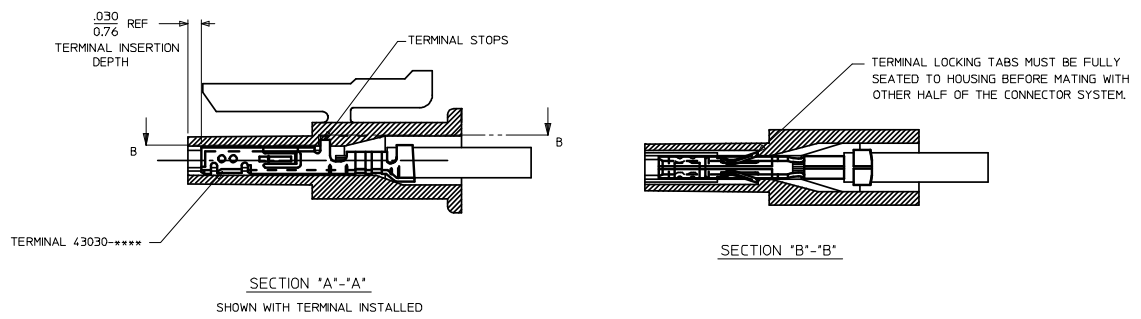
(3-12 CIRCUIT HOUSING)

(2 CIRCUIT HOUSING)

NOT RELEASED	ITEM NUMBER	NUMBER OF CIRCUIT	DIM. 'A'	DIM. 'B'
	43645-0208	02	SEE DETAIL	.118/(13.00)
	43645-0308	03	.388/(9.85)	.236/(6.00)
	43645-0408	04	.506/(12.85)	.354/(9.00)
	43645-0508	05	.624/(15.85)	.472/(12.00)
	43645-0608	06	.742/(18.85)	.591/(15.00)
	43645-0708	07	.860/(21.85)	.709/(18.00)
X		08	.978/(24.85)	.827/(21.00)
X		09	1.096/(27.85)	.945/(24.00)
X		10	1.215/(30.85)	1.063/(27.00)
X		11	1.333/(33.85)	1.181/(30.00)
X		12	1.451/(36.85)	1.299/(33.00)

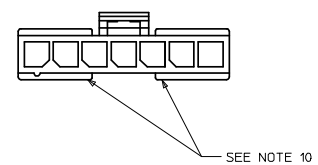


MATED MICRO-FIT CONNECTOR



NOTES:

1. MATERIAL : UNFILLED NYLON 6, UL94V-0, IEC 60335-1, 4TH EDITION GLOW WIRE CAPABLE, COLOR - BLACK
2. FINISH : N/A
3. PRODUCT SPECIFICATION : PS-43650
4. THIS RECEPTACLE ACCEPTS MOLEX MICRO FIT FEMALE CRIMP TERMINALS ONLY. SEE MOLEX DRAWING SD-43030-\*\*\*\* FOR SPECIFICATIONS.
5. SEE SECTION 'A'-'A' FOR TERMINAL ORIENTATION IN HOUSING.
6. FOR OVERMOLDING PARAMETERS SEE ENGINEERING SPECIFICATION #SDS-43025-1000.
7. THIS RECEPTACLE MATES WITH MOLEX PCB HEADER 43650 SERIES AND MOLEX PLUG 43640 SERIES (WIRE TO WIRE APPLICATIONS).
8. SOME HOUSINGS MAY HAVE A SMALL GATE BLEMISH NEAR THE GATE LOCATION THAT DOES NOT AFFECT FUNCTIONALITY.
9. MOLEX RECOMMENDS THE USE OF MICRO-FIT TEST PLUG, SERIES 44242-\*\*\*\* WHENEVER CONTINUITY TESTING IS PERFORMED. TEST PLUGS MUST NOT BE USED TO MAKE OR BREAK UNDER LOAD. MOLEX DOES NOT RECOMMEND USING STANDARD MATING COMPONENTS FOR HARNESS TESTING PURPOSES.
10. THIS RIB IS DISCONTINUOUS ON CIRCUIT SIZES 7 THROUGH 12
11. THIS PART CONFORMS TO CLASS 'B' REQUIREMENTS OF COSMETIC SPECIFICATION PS-45499-002.



ADD 5 CKT IEC NO: UCP2009-0016 DRWGNGVRILL 2008/08/26 CHKDSSOUSEK 2008/08/26 APPRFSMITH 2008/08/27 REV A1	QUALITY SYMBOLS ▼-0 ▽-0	GENERAL TOLERANCES (UNLESS SPECIFIED) 4 PLACES ± --- ± --- 3 PLACES ± --- ± .010 2 PLACES ± 0.25 ± .014 1 PLACE ± 0.35 ± --- ANGULAR ±1/2°	DIMENSION STYLE IN/MM DRAWN BY DATE MKIPPER 2008/01/21 CHECKED BY DATE SSOUSEK 2008/01/24 APPROVED BY DATE FSMITH 2008/02/02	SCALE --- DESIGN UNITS METRIC THIRD ANGLE PROJECTION	TITLE MICRO-FIT (3.0) 2 THRU 12 SINGLE ROW RECEPTACLE, HALOGEN-FREE MOLEX INCORPORATED	MATERIAL NO. SEE CHART DOCUMENT NO. SD-43645-001	SHEET NO. 1 OF 1	
	DRAFT WHERE APPLICABLE MUST REMAIN WITHIN DIMENSIONS		THIS DRAWING CONTAINS INFORMATION THAT IS PROPRIETARY TO MOLEX INCORPORATED AND SHOULD NOT BE USED WITHOUT WRITTEN PERMISSION					