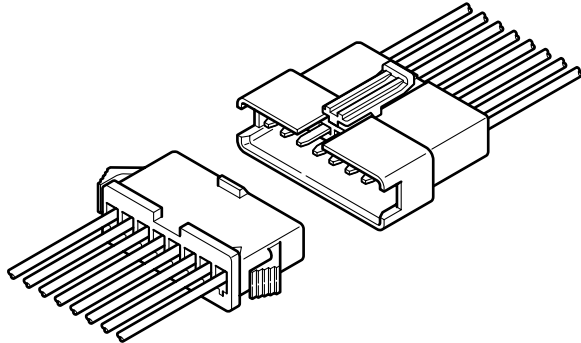




SM CONNECTOR

2.5mm pitch/ Disconnectable Crimp style wire-to-wire connectors



The SM series are 2.5mm pitch, wire-to-wire connectors that perform reliably in high-density, small current applications.

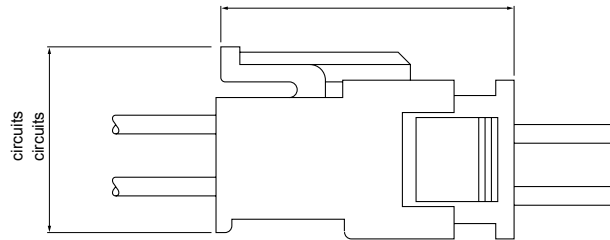
- High contact pressure
- Highly reliable housing construction
- Mountable on a variety of panels
- Arm lock mechanism

Specifications

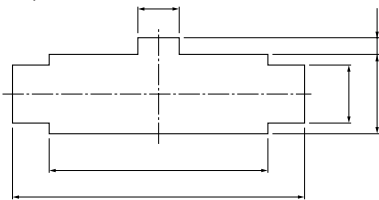
- Current rating: 3A AC, DC max.
 - Voltage rating: 250V AC, DC max.
 - Temperature range: -25°C to +85°C
(including temperature rise in applying electrical current)
 - Contact resistance: Initial value/ 10m Ω max.
After environmental testing/ 20m Ω max.
 - Insulation resistance: 500M Ω min.
 - Withstanding voltage: 1,500V AC/minute
 - Applicable wire: AWG #28 to #22
0.08 to 0.33mm²
 - Applicable panel thickness: 0.5 to 2.0mm
- * Compliant with RoHS.
* Refer to "General Instruction and Notice when using Terminals and Connectors" at the end of this catalog.
* Contact JST for details.

Standards

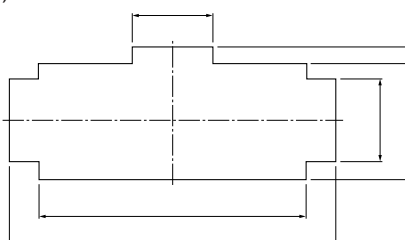
- 0 Recognized E60389
- 1 Certified LR20812
- 2 R50120150



(2 to 12 circuits)



(18 circuits)



PLU020746

| Circuits | Plug housing Model No. | Panel thickness (mm) | | | | | |
|----------|------------------------|--|------------------|--------------------------------|------------------|--------------------------------|------------------|
| | | 0.5 | | 1.0 | | 1.5 | |
| | | Panel hole dimensions (mm) General tolerance | | | | | |
| | | A ₀ ^{0.15} | B _{0.1} | A ₀ ^{0.15} | B _{0.1} | A ₀ ^{0.15} | B _{0.1} |
| 2 | SMP-02V-B(N)C | 5.7 | 9.6 | 5.7 | 9.8 | 5.7 | 10.0 |
| 3 | SMP-03V-B(N)C | 8.2 | 12.1 | 8.2 | 12.3 | 8.2 | 12.5 |
| 4 | SMP-04V-B(N)C | 10.7 | 14.6 | 10.7 | 14.8 | 10.7 | 15.0 |
| 5 | SMP-05V-B(N)C | 13.2 | 17.1 | 13.2 | 17.3 | 13.2 | 17.5 |
| 6 | SMP-06V-B(N)C | 15.7 | 19.6 | 15.7 | 19.8 | 15.7 | 20.0 |
| 7 | SMP-07V-B(N)C | 18.2 | 22.1 | 18.2 | 22.3 | 18.2 | 22.5 |
| 8 | SMP-08V-B(N)C | 20.7 | 24.6 | 20.7 | 24.8 | 20.7 | 25.0 |
| 9 | SMP-09V-B(N)C | 23.2 | 27.1 | 23.2 | 27.3 | 23.2 | 27.5 |
| 10 | SMP-10V-B(N)C | 25.7 | 29.6 | 25.7 | 29.8 | 25.7 | 30.0 |
| 11 | SMP-11V-B(N)C | 28.2 | 32.1 | 28.2 | 32.3 | 28.2 | 32.5 |
| 12 | SMP-12V-B(N)C | 30.7 | 34.6 | 30.7 | 34.8 | 30.7 | 35.0 |
| 18 | SMP-18V-B(N)C | 23.2 | 27.2 | 23.2 | 27.4 | 23.2 | 27.6 |

Note: 1. Punch holes in the panel according to the sketch and table shown above. Burrs must be removed.
 2. The strength of the panel must be considered when punching two or more holes.
 3. The connector must be inserted from the same side as the hole is punched.