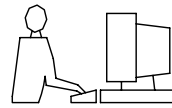


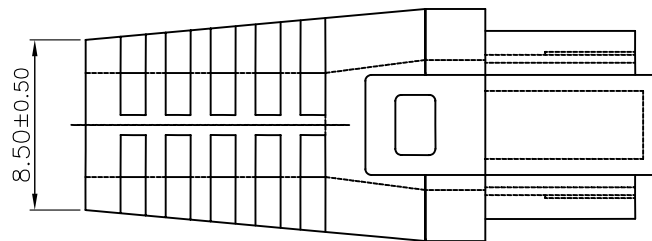
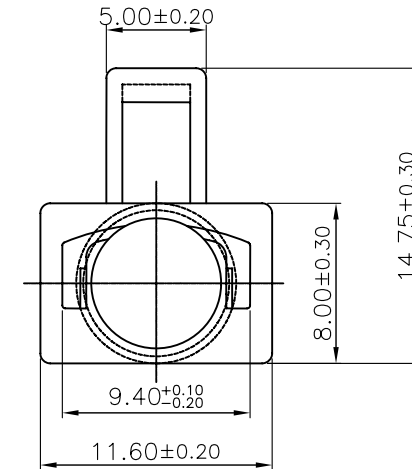
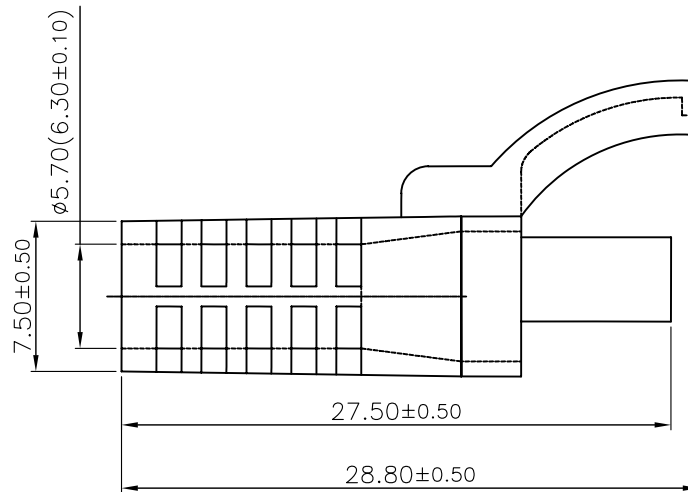
THIS IS A C.A.D. GENERATED DRAWING
DO NOT MAKE MANUAL REVISIONS TO MASTER.



www.pewtronic.cz

PLU020646

* UNLESS OTHERWISE SPECIFIED TOLERANCES
ON DECIMAL IS: ANGLE ± 1°
UNIT: MM



ORDERING INFORMATION:

COLOUR	P/N - BULK	PRODUCT CODE
Light Grey	PLU020646	
Dark Grey		
Blue		
Yellow		
Green		
Blank		
Red		

NOTE:

1. Material: ABS+PVC

www.pewtronic.cz

THESE DRAWINGS AND SPECIFICATIONS ARE THE PROPERTY OF MH CONNECTORS LTD. AND SHALL NOT BE REPRODUCED, COPIED OR USED AS THE BASIS FOR THE MANUFACTURE OR SALE OF APPARATUS WITHOUT WRITTEN PERMISSION.

DRAWN Johnny		DATE 03-12-13	
APPROVED		DATE	
SCALE	SHEET OF 1 OF 1	REV: 1.0	
DRAWING No			



THIS SERIES FULLY CONFORMS TO THE EUROPEAN UNION DIRECTIVES 2002/95/EC AND 2002/96/EC FOR RoHS COMPLIANCY.



MH CONNECTORS LTD.