



www.lemo.com

FFP.2S.306.CLAC82

SUMMARY

Wires

Low voltage 6



Image is for illustrative purpose only

Series 2S
 Termination type Male solder
 IP rating 50
 AWG wire size 28.00 - 20.00
 Cable Ø 7.30 - 8.20 mm
 Status active
 Matching parts [ERA.2S.306.CLL](#)

Download

[Request a quote](#)

[Catalog](#)

TECHNICAL DETAILS

Mechanics

Shell Style/Model FFP*: Straight plug, cable collet and inner anti-rotating device
 Keying Hermaphroditic keying (half moon insert) with male pin 1
 Housing Material Brass (chrome plated [SAE AMS 2460]) shell and collet nut, nickel plated [SAE AMS QQ N 290] brass latch sleeve and mid pieces
 Weight 31.68 g

Performance

Configuration 2S.306 : 6 Low Voltage
 Insulator L: PEEK (UL 94 / V-0/1.5)
 Rated Current 12 Amps

Specifications

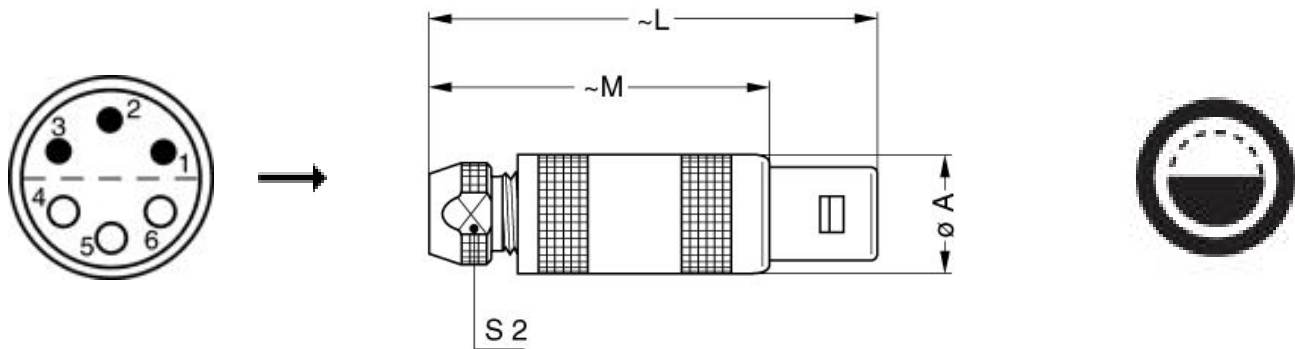
Contact Type: Solder
 Contact Dia.: 1.3 mm (0.051in)
 Bucket Dia.: 1 mm (0.039in)
 Max. Solid Conductor: 0.5 mm² (AWG 20)
 Max. Stranded Conductor: 0.5 mm² (AWG 20)
 R (max): 3.6 mOhm
 Vtest: 1500 V (AC), 2100 V (DC)

LEMO products and services are provided "as is". LEMO makes no warranties or representations with regard to LEMO product & services or use of them, express, implied or statutory, including for accuracy, completeness, or security. The user is fully responsible for his products and applications using LEMO components.

Others

Endurance (Shell): 5000 mating cycles
 Temp (min / max): -55°C / +250°C
 Humidity (max): <=95% [at 60 deg C / 140 F]
 Vibration: 15 g [10 Hz - 2000 Hz]
 Shock Resistance: 100 g [6 ms]
 Climatical Category: 50/175/21
 Shielding (min): 75 dB (10 MHz)
 Shielding (min): 40 dB (1 GHz)
 Salt Spray Corrosion: >144 hr

DRAWINGS



Dimensions

	A	L	M	S2
mm.	14.8	52	40	11
in.	0,58	2,05	1,57	0,43

RECOMMENDED BY LEMO

Tools

Spanner wrench: [DCD.2S.025.PA110](#)

LEMO products and services are provided "as is". LEMO makes no warranties or representations with regard to LEMO product & services or use of them, express, implied or statutory, including for accuracy, completeness, or security. The user is fully responsible for his products and applications using LEMO components.