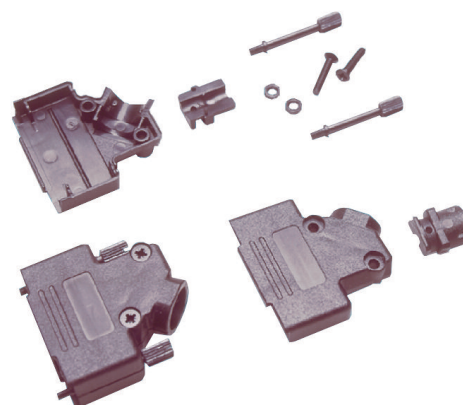


## PLASTIC HOODS

## MHD45PPK-SERIES

## TECHNICAL SPECIFICATIONS

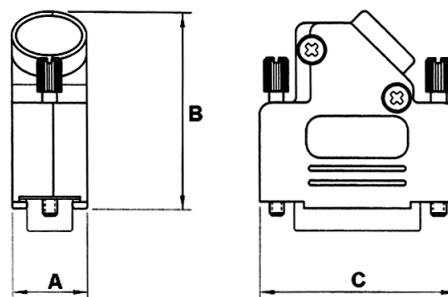
<b>Material:</b>	UL 94 V-0 plastic material
<b>Operating Temperature:</b>	-30°C to 90°C
<b>Cable Entry:</b>	Side
<b>Thumbscrews:</b>	UNC 4-40 (standard)
<b>Cable Diameter:</b>	Up to 13,0 mm
<b>Accessories:</b>	See page 40-43



## Available colours:

	Black
	Red
	Green
	Blue
	Yellow
	Light Grey

Other colours on request.



## Features:

- Available in sizes 9-15-25-37
- Suitable for any common D-sub connector
- Strain relief inserts ensure a secure termination
- Re-openable
- Company logo available upon request
- Wide range of colours available
- Also available in Shielded metalized version (See MHD45PK-Series, page 15)

Size MHD45PPK	Dim A	Dim B	Dim C
9-way	15,0	36,3	31,0
15-way	15,0	40,3	39,5
25-way	15,0	40,3	53,2
37-way	15,0	40,3	69,7

## Order Code

**MHD45PPK XX - Y - K**

Series: \_\_\_\_\_

Size (xx): 09, 15, 25, 37 \_\_\_\_\_

Colour (y): \_\_\_\_\_

**BK** = Black, **R** = Red, **G** = Green

**B** = Blue, **Y** = Yellow, **LG** = Light Grey

Packing Style: \_\_\_\_\_

Omit = Bulk, **K** = Kit

