

Fy^{*1)}XX^{*2)}S7-K121

e.g. FL25S7-K121

*1) Y for series FL or FU
 *2) xx No. of contacts 09, 15, 25 or 37

xx	A (mm)	B (mm)	C (mm)
09	30,8	16,4	25
15	39,1	24,7	33,3
25	53	38,5	47,04
37	69,3	54,9	63,5

Technical data for modification (FU)
 Crimp contacts FK20S (AWG 20-24/1,3µm Au) included in delivery.

3	1	Shell	Steel	tin plated
2	1	Insulator rear part	PEI (-55°C - +130°C)	green
1	1	Insulator front part	PBT	green
No.	St.	Part	Type Description/Material	Surface plating/Colour/Class

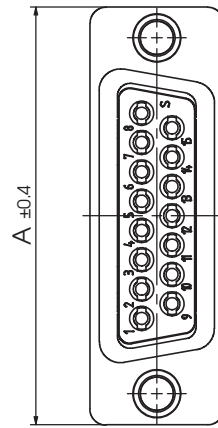
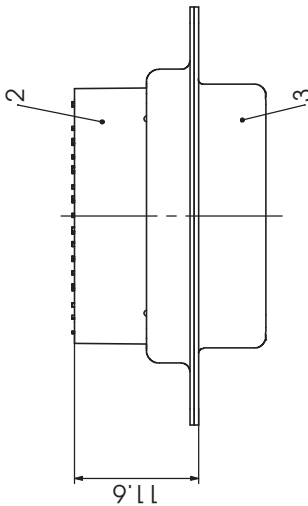
Technical data for modification (FL)

② Crimp contacts not supplied with connector. Contacts must be ordered separately.

3	1	Shell	Steel	tin plated
3	1	Insulator rear part	PA66 (-55°C - +115°C)	black
1	1	Insulator front part	PBT	black
No.	St.	Part	Type Description/Material	Surface plating/Colour/Class

Measurement without tolerance acc. to ISO 2768-m		SCALE	TITLE
NAME / DATE	25-05-2002	2:1	
DRAWN	Denzinger		
CHECKED	Ischert		
	124/02/2006		

2	24-02-2006	21782		
1				
REV.	DATE	CH-NO.	ORIGINAL DIN A3-DRAWING AS A FILE	REPLACEMENT FOR:
				FyxS7-K121 g
				PAGES 1



D-Sub Crimp Connector

DWG. NO. FyxS7-K121

REV. 2

REPLACEMENT FOR: FyxS7-K121 g

PAGES 1