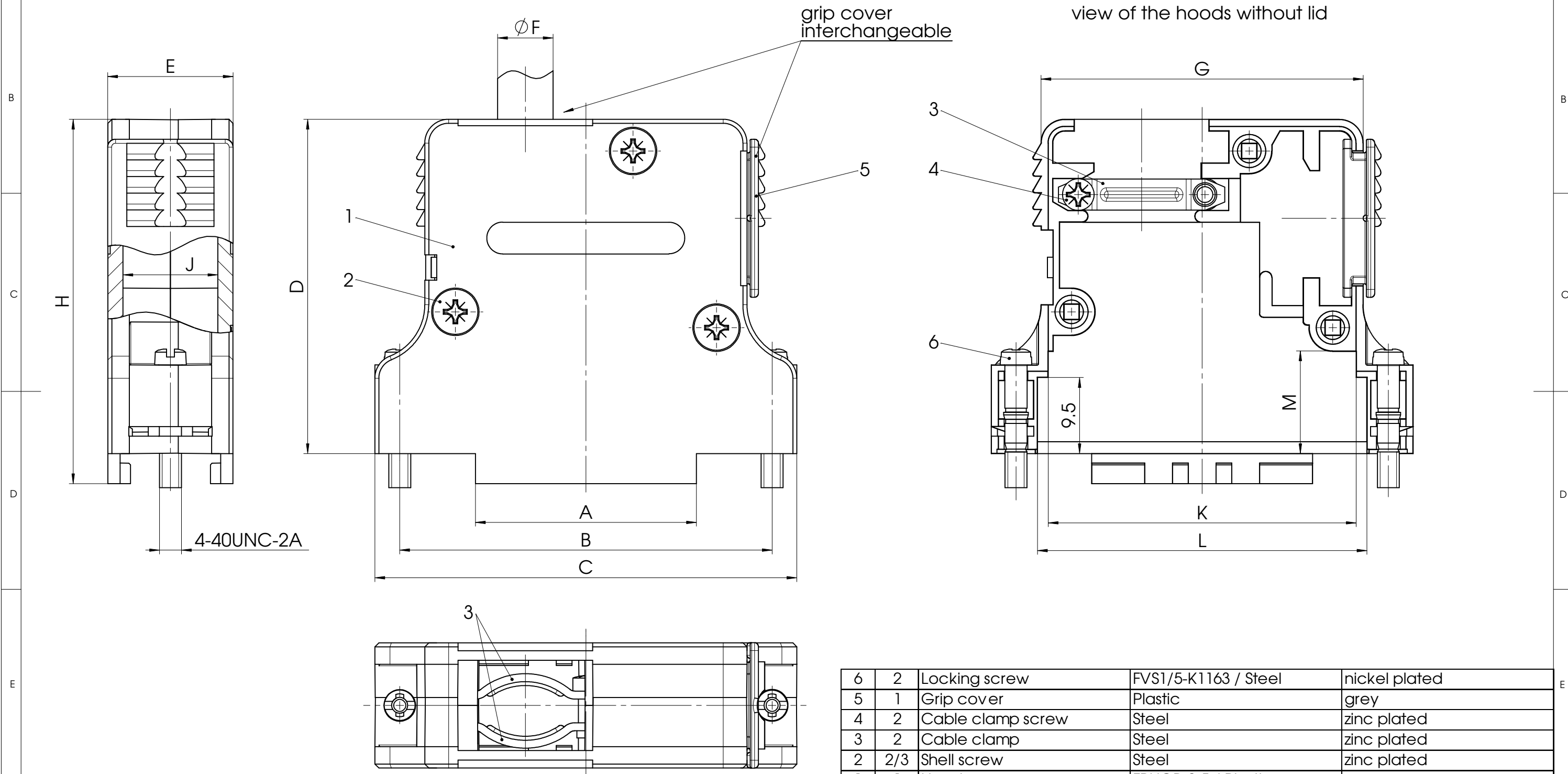


| Order No. | Shell Size / for No. of Contacts | A ±0.3 | B ±0.1 | C ±0.3 | D ±0.3 | E ±0.3 | ∅F max. | G ±0.3 | H ±0.3 | J ±0.3 | K ±0.3 | L ±0.3 | M ±0.5 | cable outlet | | |
|-----------|----------------------------------|--------|--------|--------|--------|--------|---------|--------|--------|--------|--------|--------|--------|--------------|-------|-----|
| FPHGR-2 | 2 / 15 | 16.1 | 33.3 | 39.2 | 36.9 | 16 | 8 | 28.8 | 40.7 | 11.4 | 25.9 | 27.8 | 15 | 0° | - | 90° |
| FPHGR-3 | 3 / 25 | 27.8 | 47 | 53.3 | 42.2 | 16 | 11.2 | 40.9 | 46 | 11.4 | 39.4 | 41.6 | 13 | 0° | ≈ 60° | 90° |
| FPHGR-4 | 4 / 37 | 44.4 | 63.5 | 69.7 | 42.2 | 16 | 11.2 | 57.4 | 46 | 11.4 | 54.9 | 58 | 12.8 | 0° | ≈ 60° | 90° |
| FPHGR-5 | 5 / 50 | 42 | 61.1 | 67.3 | 42.2 | 18.5 | 14 | 54.2 | 46 | 14 | 53.2 | 55.6 | 13 | 0° | ≈ 60° | 90° |

∅F = Cable diameter



| No. | St. | Part | Type Description/Material | Surface plating/Colour/Class |
|-----|-----|-------------------|---------------------------|------------------------------|
| 6 | 2 | Locking screw | FVS1/5-K1163 / Steel | nickel plated |
| 5 | 1 | Grip cover | Plastic | grey |
| 4 | 2 | Cable clamp screw | Steel | zinc plated |
| 3 | 2 | Cable clamp | Steel | zinc plated |
| 2 | 2/3 | Shell screw | Steel | zinc plated |
| 1 | 1 | Hood | FPHGR-2-5 / Plastic | grey |

Inscription on the reverse side
 Hood is snapped together
 FPHGR-2 with 2 shell screws (pos. 2)
 Parts 2-6 not mounted
 max. torque are 40 Ncm

| | | | |
|---|------|-----------|--------------|
| | | SCALE | TITLE |
| DRAWN Anke Meyer-Richter 14-11-2007 | | 2:1 | Plastic Hood |
| CHECKED K Burkhardt 15-11-2007 | | | |
| | | DWG.NO. | REV. |
| 1 | | FPHGR-2-5 | 1 |
| REV. | DATE | CH.-NO. | PAGES |
| | | | 1 |

COMMENT:
 ALL RIGHTS ARE RESERVED BY US FOR THIS DRAWING. WITHOUT OUR PRIOR CONSENT,
 IT MAY NEITHER BE DUPLICATED NOR MADE AVAILABLE TO A THIRD PARTY.
 AND IT ALSO MAY NOT BE IMPROPERLY USED BY THE RECEIVER, OR A THIRD PARTY.