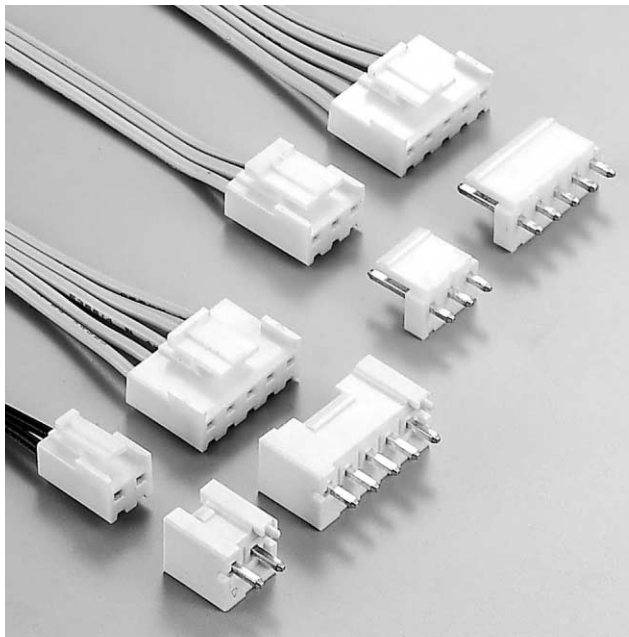
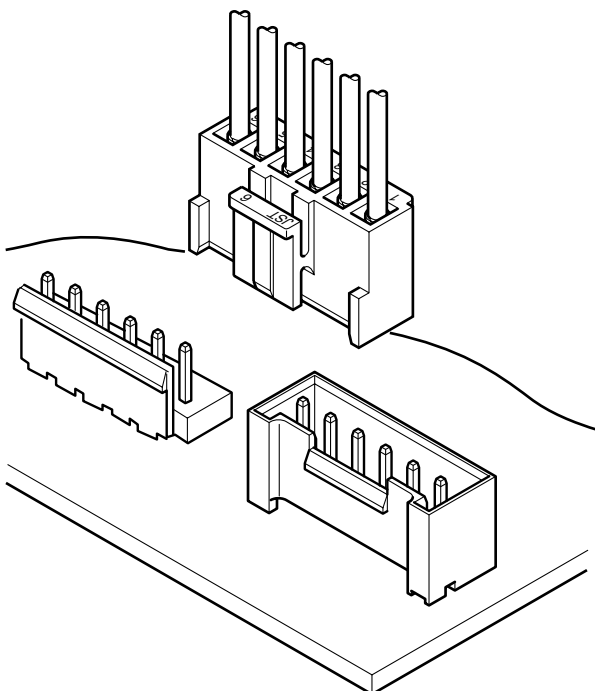


# VH CONNECTOR

Disconnectable Crimp style connectors



This small, field-proven connector for printed circuit boards is reliable and has a large current carrying capacity. It can be used with a wide variety of signal, power supply, and output circuits that appear in consumer electronic products.



## Features

### • Proven box contact

This connector was developed with the same box-shaped contact design used successfully in the NH connectors. The reliable VH connector can be used in a wide variety of applications, from low-voltage, low-current signal circuits to power supply circuits having a relatively large capacity.

### • Compact connector with a large capacity

Even though this connector has a large current carrying capacity (10A), it is compact, with a mounting height of 16.5mm (.650").

### • Secure contact and mounting

The housing has a lock mechanism which prevents the connector from coming loose due to vibration. The mechanism also prevents misinsertion (misalignment or reverse insertion).

## Specifications

- Current rating: 10A AC, DC (AWG#16)
- Voltage rating: 250V AC, DC
- Temperature range: -25°C to +85°C  
(including temperature rise in applying electrical current)
- Contact resistance: Initial value/10m Ω max.  
After environmental testing/20m Ω max.
- Insulation resistance: 1,000M Ω min.
- Withstanding voltage: 1,500V AC/minute
- Applicable wire: AWG #22 to #16
- Applicable PC board thickness: 1.6mm(.063")

#### Note:

Do not branch in parallel current which exceeds the rated current. If branched in parallel, current imbalance or other problems may develop. If it is absolutely necessary to branch such a large current in parallel, be sure to use contacts made of phosphor bronze. Design the circuits without causing imbalance and provide an extra margin for each circuit.

\* Contact JST if Lead-Free product is required.

\* Temperature Range:

The aforementioned temperature range of this connector is described in JST Standard Product Specification.

Maximum temperature registered in UL is 105°C.

\* Refer to "General Instruction and Notice when using Terminals and Connectors" at the end of this catalog.

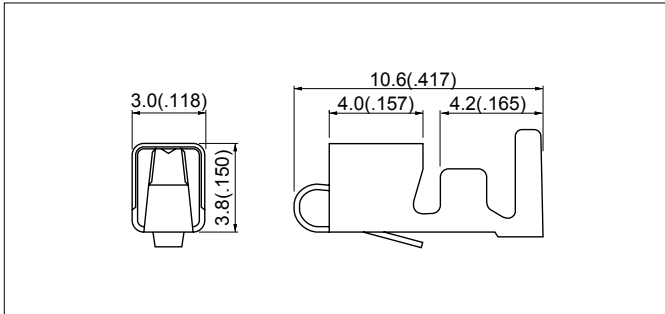
\* Contact JST for details.

## Standards

- 0 Recognized E60389
- 1 Certified LR20812
- 2 R75122

# VH CONNECTOR

## Contact

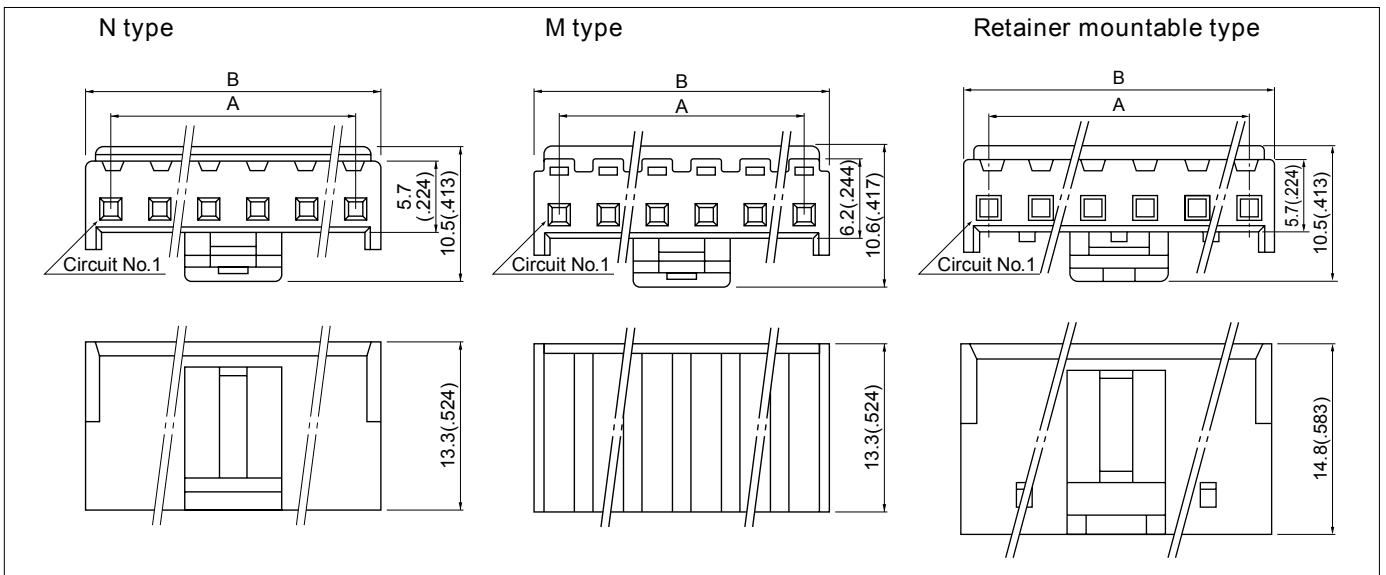


Model No.	Applicable wire			Q'ty / reel
	mm <sup>2</sup>	AWG #	Insulation O.D. mm(in.)	
SVH-21T-P1.1	0.33 to 0.83	22 to 18	1.7 to 3.0 (.067 to .118)	4,500
SVH-41T-P1.1	0.5 to 1.25	20 to 16	1.7 to 3.0 (.067 to .118)	3,500

Material and Finish	
Phosphor bronze, tin-plated	

Note: 1. Contact JST if you require contacts made of brass.  
 2. When using retainer mountable type housing, applicable wire's insulation O. D. shall be 1.7 to 2.2mm(.067" to .087").

## Housing



Cir- cuits	Model No.			Dimensions mm(in.)		Q'ty / bag
	N type	M type	Retainer mountable type	A	B	
2	VHR-2N	VHR-2M	VHRR-2N	3.96( .156)	7.86( .309)	1,000
3	VHR-3N	VHR-3M	VHRR-3N	7.92( .312)	11.82( .465)	1,000
4	VHR-4N	VHR-4M	-	11.88( .468)	15.78( .621)	1,000
5	VHR-5N	VHR-5M	VHRR-5N	15.84( .624)	19.74( .777)	1,000
6	VHR-6N	VHR-6M	-	19.80( .780)	23.70( .933)	500
7	VHR-7N	VHR-7M	VHRR-7N	23.76( .935)	27.66(1.089)	500
8	VHR-8N	-	VHRR-8N	27.72(1.091)	31.62(1.245)	500
9	VHR-9N	VHR-9M	VHRR-9N	31.68(1.247)	35.58(1.401)	500
10	VHR-10N	-	-	35.64(1.403)	39.54(1.557)	500
11	VHR-11N	-	-	39.60(1.559)	43.50(1.713)	500

**Material**

Nylon 6, UL94V-0, natural (white)

Note: 1. Models identified as VHR-( ) M incorporate measures to prevent electric shock and are thus safer in regard to high voltages.  
 2. The applicable housing for 2-circuits shrouded header is "VHR-2N" only. "VHRR-2N" is not applicable.  
 3. Models VHR-11N and VHRR-( )N are not TÜV approved.

<For reference> As the color identification, the following alphabet shall be put in the underlined part. For availability, delivery and minimum order quantity, contact JST.

ex. VHR-2N-00  
 (blank)...natural (white)  
 BK...black R...red BL...blue M...green D...orange Y...yellow  
 PK...pink H...gray

PLU020501