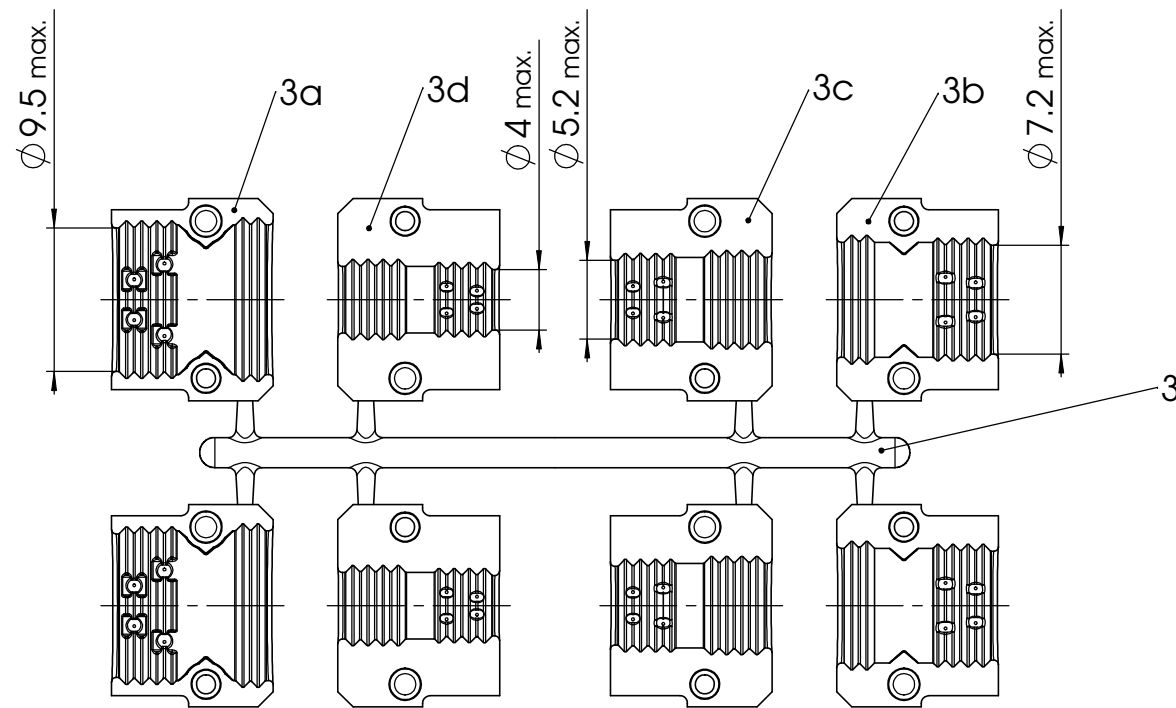
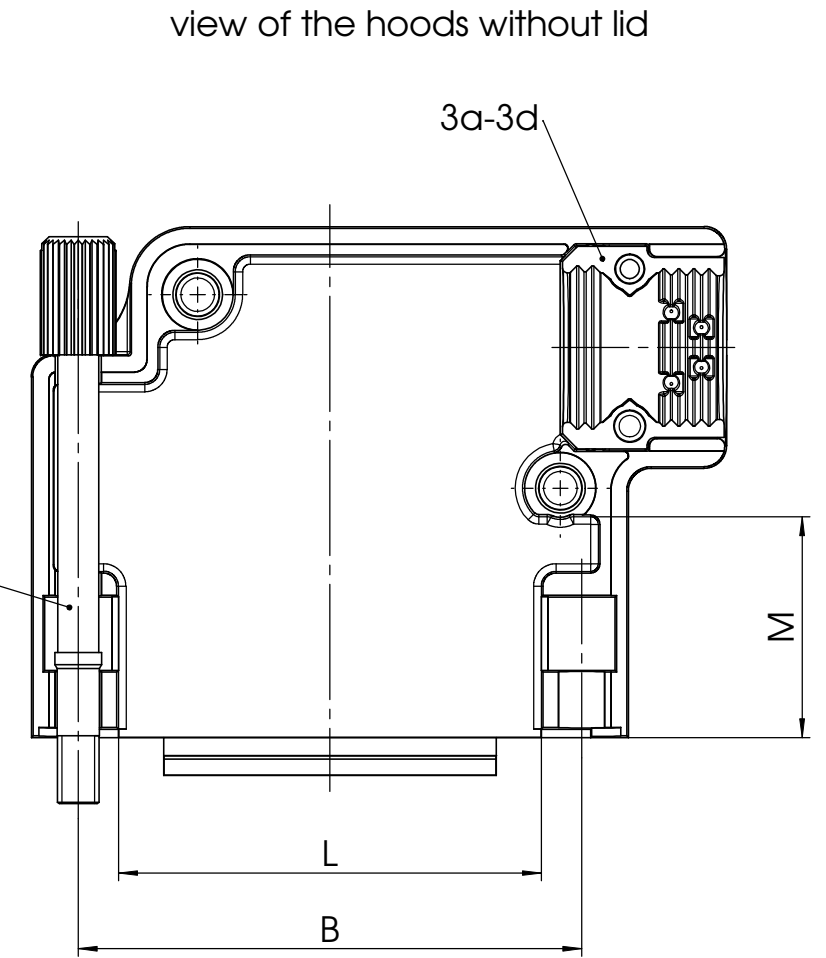
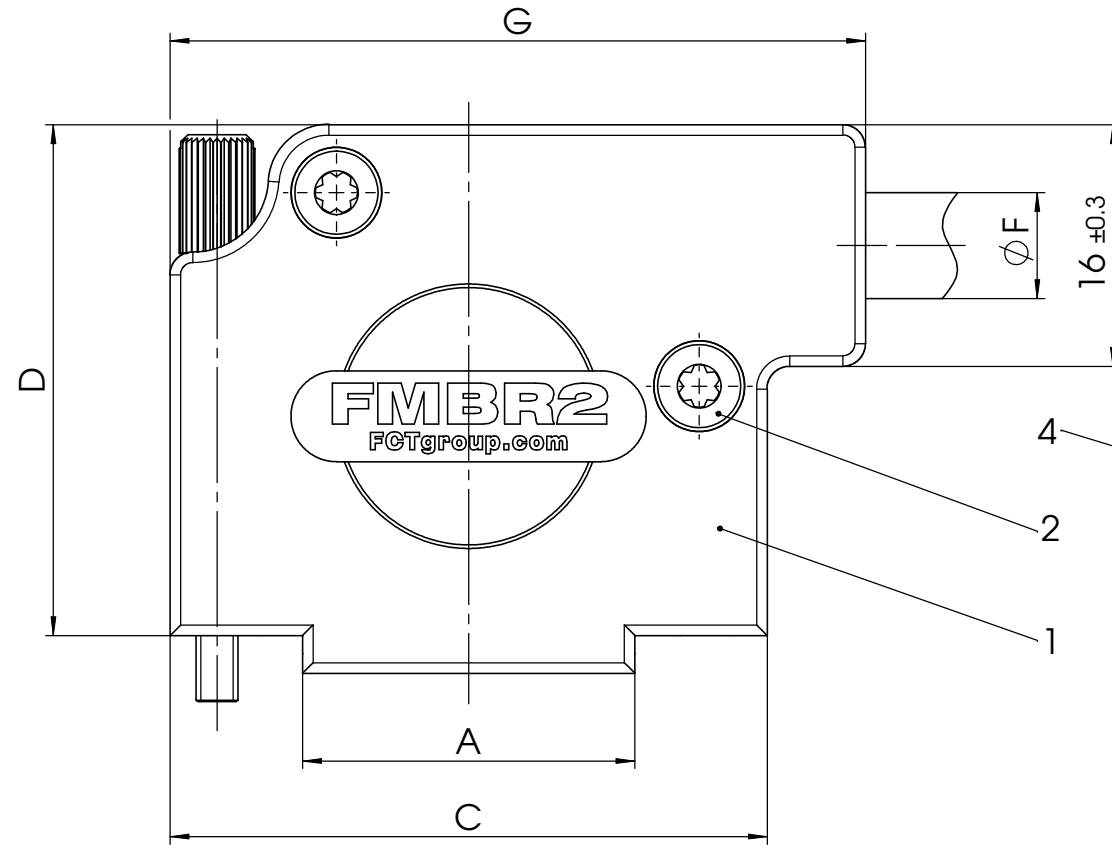
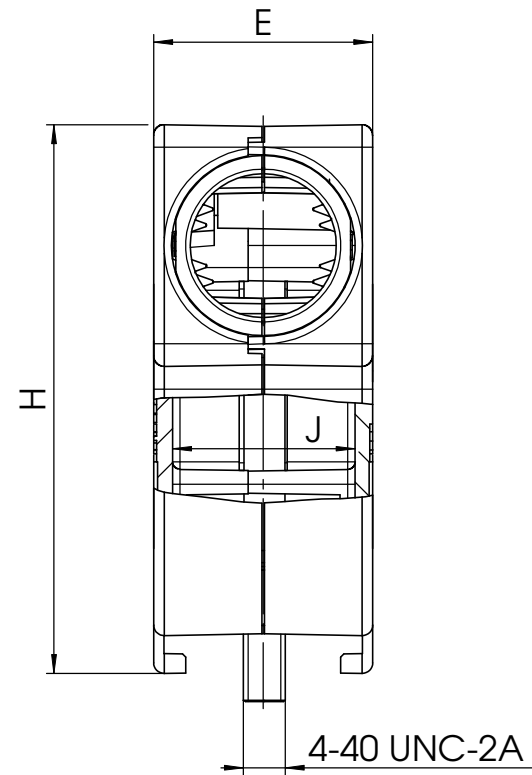


Order No.	Shell Size / for No. of Contacts	A ±0.3	B ±0.1	C ±0.3	D ±0.3	E ±0.3	øF1	øF2 min - max	G ±0.3	H ±0.3	J ±0.3	L ±0.3	M ±0.3
FMBR1	1/9	13.8	25	31.2	33.8	14.5	12	3.5 - 9.5	37.7	36.3	12.1	19.4	14.6
FMBR2	2/15	22	33.3	39.5	33.8	14.5	12	3.5 - 9.5	46	36.3	12.1	27.9	14.6

øF1 = Cable diameter without strain relief
 øF2 = Cable diameter with strain relief



Part 3 and 4 not mounted
 max. torque are 40 Ncm

No.	St.	Part	Type	Description/Material	Surface plating/Colour/Class
4	1	Knurled thump screw	FRSMB1/5-K1618 / Brass		nickel plated
3d	2	Strain relief ø4mm	Polyester		black
3c	2	Strain relief ø5.2mm	Polyester		black
3b	2	Strain relief ø7.2mm	Polyester		black
3a	2	Strain relief ø9.5mm	Polyester		black
3	1	Strain relief module	FZM-3266 / Polyester		black
2	2	Screw	Torx T10 / Case hardened steel		zinc plated
1	1	Hood	FMBR1-2 / Zinc die-cast		nickel plated

Measurement without tolerance occ. to ISO 2768-m

SCALE 2:1

TITLE

NAME / DATE

DRAWN Gabriele Wagner 22-05-2008

CHECKED Anke Meyer-Richter 23-05-2008

FCT group
 fctgroup.com

Metal Hood	
DWG.NO.	FMBR1-2
REV.	1

COMMENT: ALL RIGHTS ARE RESERVED BY US FOR THIS DRAWING. WITHOUT OUR PRIOR CONSENT, IT MAY NEITHER BE DUBLICATED NOR MADE AVAILABLE TO A THIRD PARTY. AND IT ALSO MAY NOT BE IMPROPERLY USED BY THE RECEIVER, OR A THIRD PARTY.