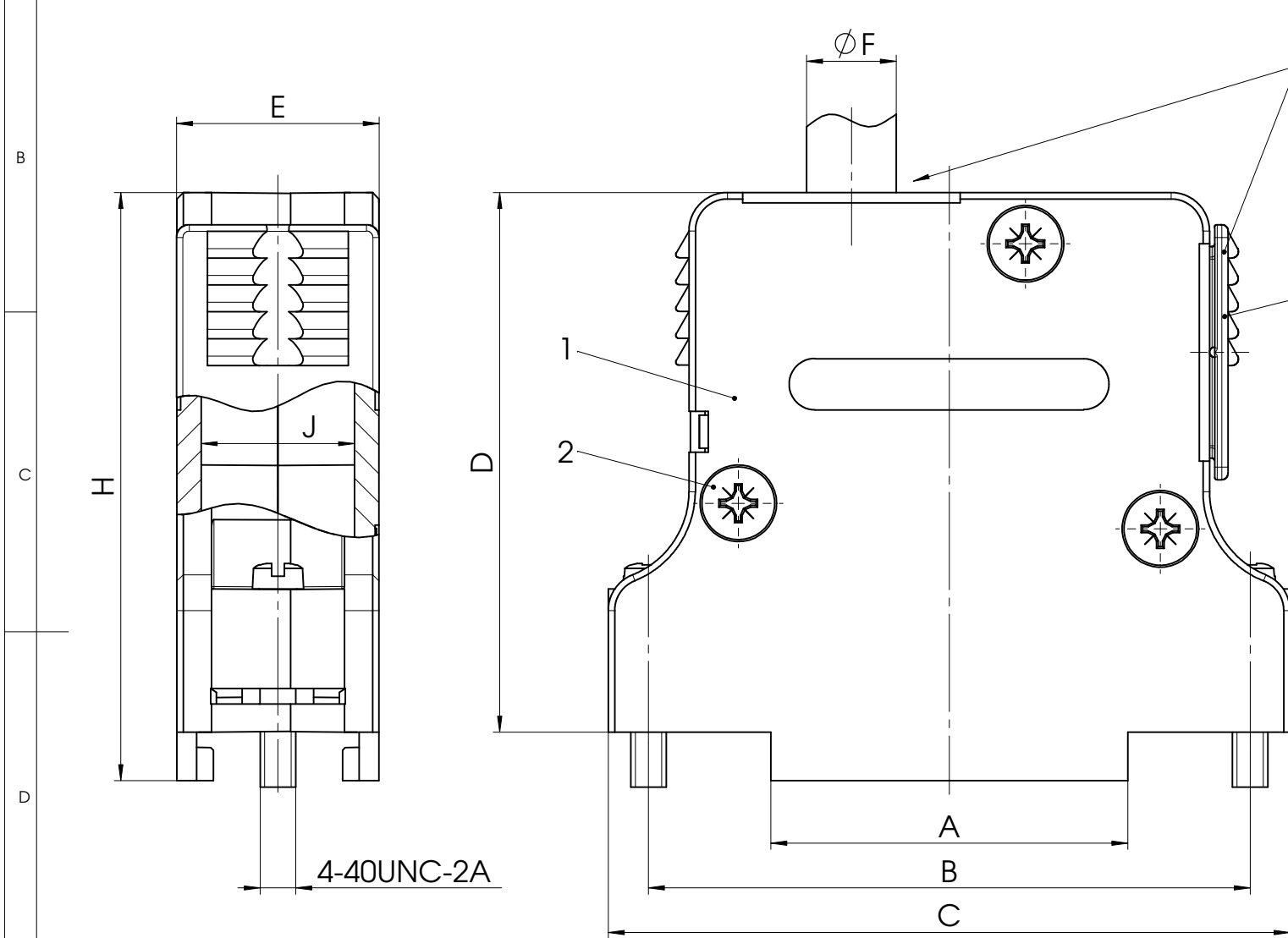


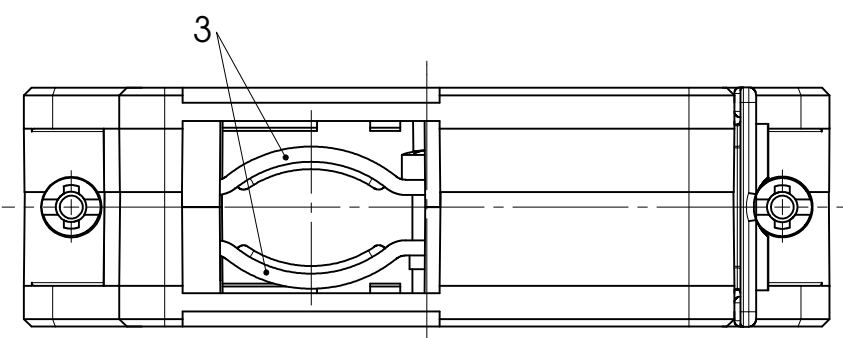
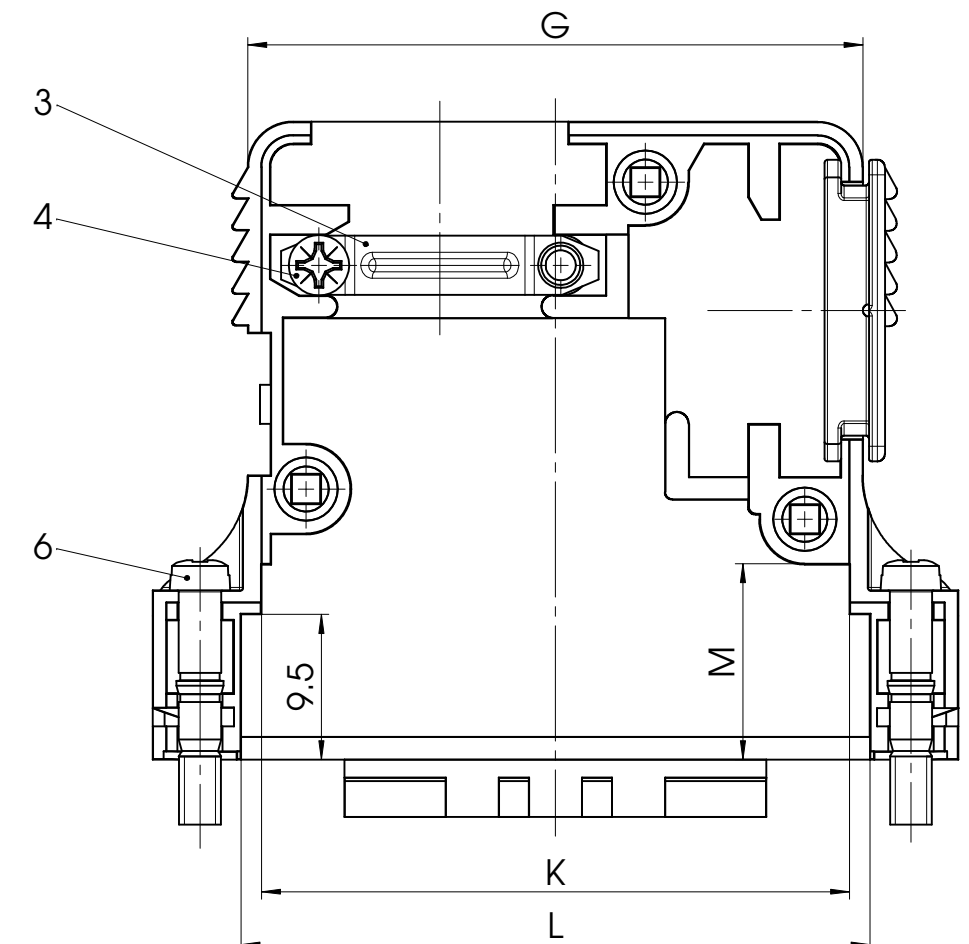
Order No.	Shell Size / for No. of Contacts	A ±0.3	B ±0.1	C ±0.3	D ±0.3	E ±0.3	øF max.	G ±0.3	H ±0.3	J ±0.3	K ±0.3	L ±0.3	M ±0.5	cable outlet		
FPHGR-2	2 / 15	16.1	33.3	39.2	36.9	16	8	28.8	40.7	11.4	25.9	27.8	15	0°	-	90°
FPHGR-3	3 / 25	27.8	47	53.3	42.2	16	11.2	40.9	46	11.4	39.4	41.6	13	0°	≈ 60°	90°
FPHGR-4	4 / 37	44.4	63.5	69.7	42.2	16	11.2	57.4	46	11.4	54.9	58	12.8	0°	≈ 60°	90°
FPHGR-5	5 / 50	42	61.1	67.3	42.2	18.5	14	54.2	46	14	53.2	55.6	13	0°	≈ 60°	90°

øF = Cable diameter



grip cover interchangeable

view of the hoods without lid



Inscription on the reverse side
 Hood is snapped together
 FPHGR-2 with 2 shell screws (pos. 2)
 Parts 2-6 not mounted
 max. torque are 40 Ncm

No.	St.	Part	Type	Description/Material	Surface plating/Colour/Class
6	2	Locking screw	FVS1/5-K1163 / Steel	nickel plated	
5	1	Grip cover	Plastic	grey	
4	2	Cable clamp screw	Steel	zinc plated	
3	2	Cable clamp	Steel	zinc plated	
2	2/3	Shell screw	Steel	zinc plated	
1	1	Hood	FPHGR-2-5 / Plastic	grey	

				SCALE	TITLE	
		Measurement without tolerance occ. to ISO 2768-m NAME / DATE DRAWN Anke.Meyer-Richter 14-11-2007 CHECKED KBurkhardt 15-11-2007		2:1	Plastic Hood	
				DWG.NO.		REV.
		fctgroup.com		FPHGR-2-5		1
1	REV.	DATE	CH.-NO.	ORIGINAL: DIN A3-DRAWING AS A FILE	REPLACEMENT FOR: FPHGR-1-5c_ACAD	PAGES 1

COMMENT:
 ALL RIGHTS ARE RESERVED BY US FOR THIS DRAWING. WITHOUT OUR PRIOR CONSENT,
 IT MAY NEITHER BE DUPLICATED NOR MADE AVAILABLE TO A THIRD PARTY.
 AND IT ALSO MAY NOT BE IMPROPERLY USED BY THE RECEIVER, OR A THIRD PARTY.