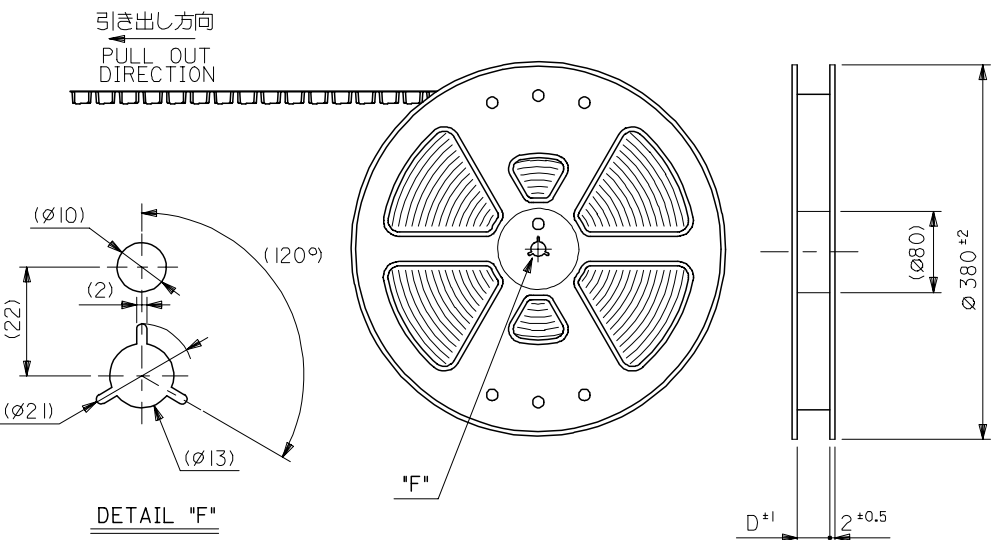
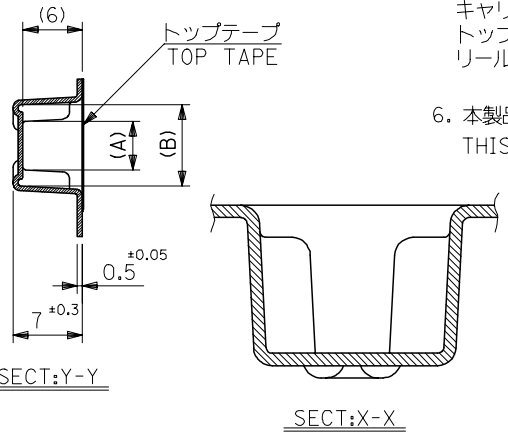
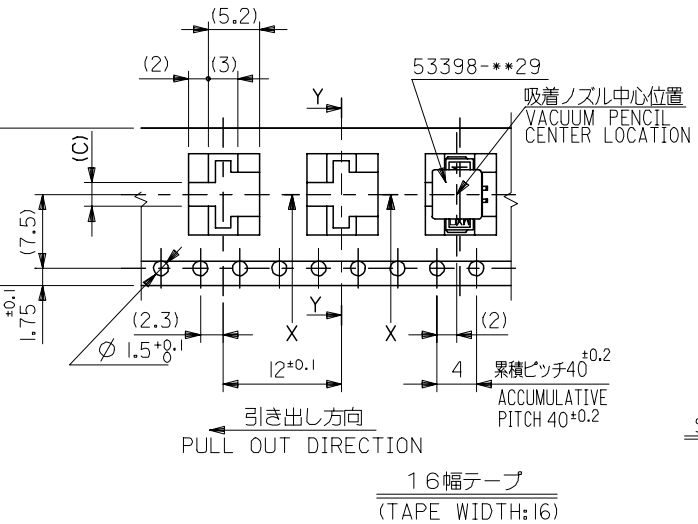


10 9 8 7 6 5 4 3 2 1



- NOTES
- 梱包数量: 1000個/リール  
NUMBER OF CONNECTOR: 1000PCS/REEL
  - リードテープ長さ  
LEAD TAPE LENGTH  
トップテープ未接着部  
TOP TAPE NON-BONDED PART  
25<sup>+10</sup>  
空インボス 20~25PCS.  
NUMBER OF EMPTY PART  
部品挿入部  
COMPONENT SUPPLIER  
末端部(空部)  
TAIL PART (EMPTY)  
360<sup>+35</sup>  
480<sup>+80</sup>
  - トップテープの剥離強度: 0.6 $\pm$ 0.35N(60 $\pm$ 35gf) (剥離方向は下図参照)  
PEELING OFF FORCE OF TOP TAPE: 0.6 $\pm$ 0.35N(60 $\pm$ 35gf)  
(PEELING DIRECTION IS SHOWN IN FOLLOWING FIG.)  
<剥離速度: 300mm/min(参考)>  
PEELING SPEED: 300mm/min. (REFERENCE)  
10°  
剥離方向  
PEEL OFF DIRECTION
  - 53398-\*\*\*29の詳細寸法については図面 SD-53398-034 を参照下さい。  
RE DETAILED DIMENSIONS, SEE SD-53398-034.
  - 材料 (MATERIAL)  
キャリアテープ (CARRIER TAPE): ポリプロピレン (POLYPROPYLENE)  
トップテープ (TOP TAPE): PET, PE, PEF  
リール (REEL): ポリスチレン (PS) <リサイクル材含む>  
POLYSTYRENE (PS) <RECYCLE MATERIAL CONTAINED>
  - 本製品は 53398-\*\*\*80 の鉛フリー品である。  
THIS PRODUCT IS LEAD FREE OF 53398-\*\*\*80.



32	33.4	14.95	20.75	17.05	53398-1267	12
24	25.4	9.95	15.75	12.05	53398-0867	8
		8.7	14.5	10.8	53398-0767	7
		7.45	13.25	9.55	53398-0667	6
		6.2	12	8.3	53398-0567	5
		4.95	10.75	7.05	53398-0467	4
16	17.4	2.45	8.25	4.55	53398-0267	2
キャリアテープ幅 CARRIER TAPE WIDTH	D	(C)	(B)	(A)	MATERIAL NO.	CIRCUITS

REVISED EC NO: DRAWN BY CHKD BY APPD BY 2004/07/28 2004/07/28 2004/07/30	DESCRIPTION DRIVER I/GUCH CHYKDK-ASAKAW APPR-SICHIKAW	GENERAL TOLERANCES (UNLESS SPECIFIED)		DIMENSION STYLE MM ONLY		SCALE ---	DESIGN UNITS METRIC	THIRD ANGLE PROJECTION	
		10 UNDER	$\pm 0.2$	DRAWN BY J. SASAMO	DATE 2004/7/22	TITLE EMBSTP PKG FOR 1.25 W/B CONN. WAFER ASSY -LEAD FREE-			
		10 OVER 30 UNDER	$\pm 0.25$	CHECKED BY K. TOJO	DATE 2004/7/22	MOLEX INCORPORATED			
		30 OVER	$\pm 0.3$	APPROVED BY N. UKITA	DATE 2004/7/22	DOCUMENT NO. SD-53398-035			
		ANGULAR	$\pm 3$	MATERIAL NO. SEE CHART	DATE	SHEET NO. 1 OF 2			
A	REV	DRAFT WHERE APPLICABLE MUST REMAIN WITHIN DIMENSIONS		SIZE A3		THIS DRAWING CONTAINS INFORMATION THAT IS PROPRIETARY TO MOLEX INCORPORATED AND SHOULD NOT BE USED WITHOUT WRITTEN PERMISSION			