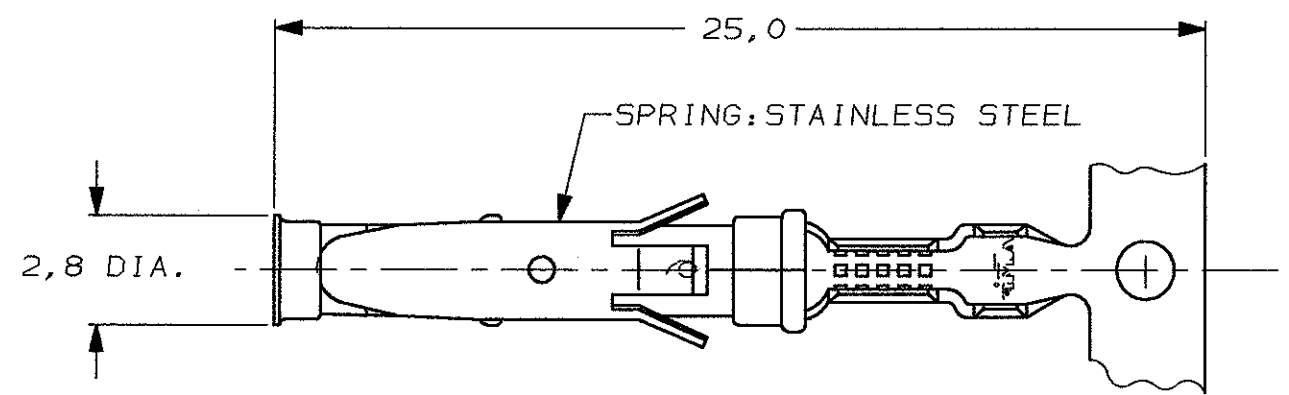
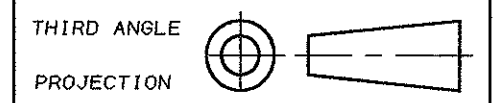
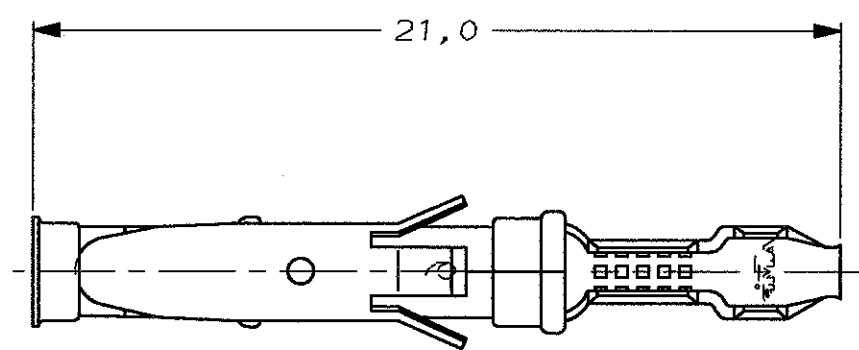


DO NOT SCALE
DIMENSIONS IN mm

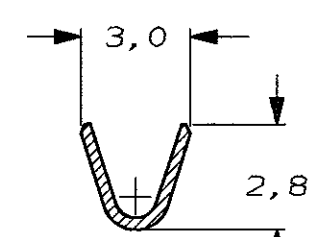
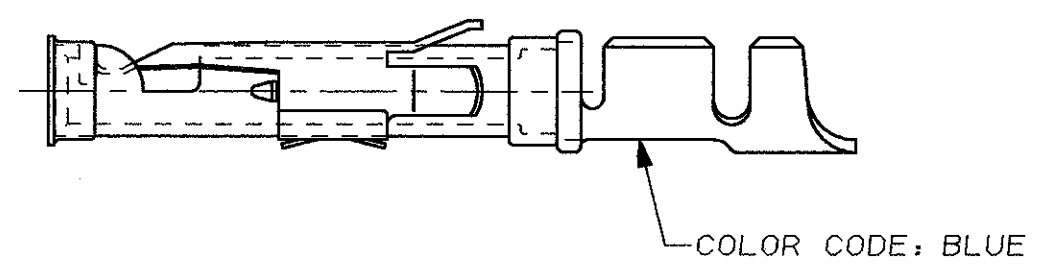
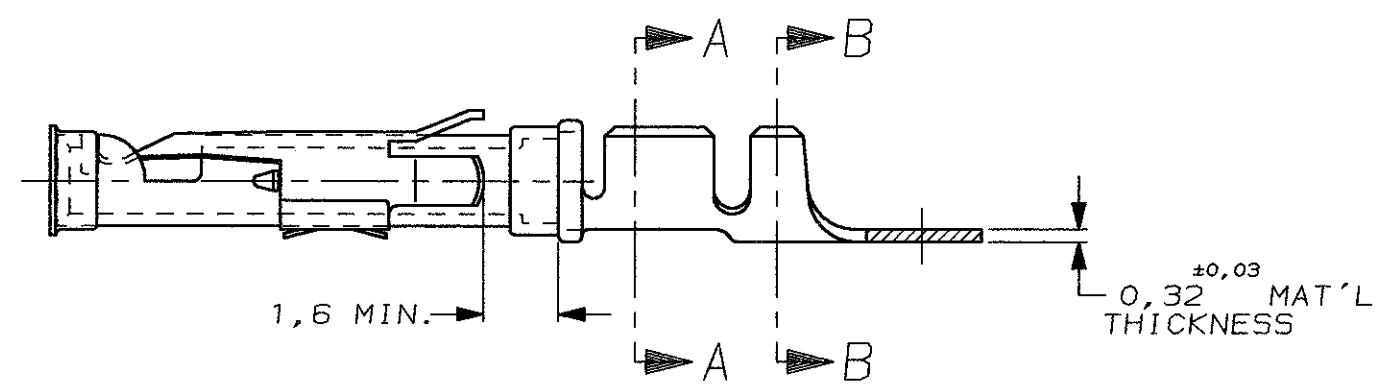
METRIC



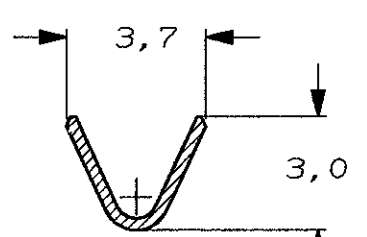
STRIP



LOOSE-PIECE



SECTION A-A



SECTION B-B

WIRE RANGE : 0,75-1,50 mm² (18-16 AWG)
INSUL. RANGE : 2,0 -2,5 mm (.080-.100)

NOTES :

- 1 U.L.RECONIZED UNDER FILE E28476 VOL.VI SEC.I .
- 2 FOR CRIMPDETAILS SEE AMP-SPEC. 114-19.000 .
- 3 MEETS PRODUCTSPECIFICATION 108-10042.
- 4 SPECIAL REEL WITH 200 PCS FOR REEL-FED HANDTOOL.
- 5 OBSOLETE PARTS: OBSOLETE CIS STREAMLINING PER D.RENAUD/D.SINISI

NOTES	MATERIAL	THICKNESS	AREA
20	TIN	2,0 μm	ALL OVER
21	NICKEL GOLD TIN/LEAD	0,8 μm	ALL OVER CONTACT AREA BARREL
22	NICKEL GOLD GOLD	0,8 μm	ALL OVER CONTACT AREA ALL OVER
23	NICKEL GOLD GOLD	1,2 μm	ALL OVER CONTACT AREA ALL OVER
24	NICKEL SILVER TIN/LEAD	2,5 μm	ALL OVER CONTACT AREA BARREL
25	SILVER NICKEL	1,5-2,5 μm 0,76 μm	ALL OVER ALL OVER
26	SILVER	2,5 μm	ALL OVER
27	NICKEL TIN/LEAD	1,27 μm 1,27 μm	ALL OVER ALL OVER
31	LUBRICATED		

5	OBSOLETE	5-163083-3	4	C		BRASS	ECON. GOLD	21
		5-163083-2	1	4	C	BRASS	SEL. GOLD	22
		5-163083-1	1	4	C	BRASS	EL. TIN	20
		1-163083-4		A	1-163084-4	BRASS	EL. TIN	31 20
	5	OBSOLETE	7	163083-3	A	1-163084-3	BRASS	BR. TIN/LEAD 30
		1-163083-2		A		BRASS	SILVER	28
		1-163083-1		A		BRASS	ECON. GOLD	21
		1-163083-0		B	1-163084-0	BRASS	ECON. GOLD	21
		163083-9		B		BRASS	SILVER	28
		163083-8		A		BRASS	EL. TIN	20
		163083-7		A		BRASS	SEL. GOLD	22
		163083-2	1	B	163084-2	BRASS	SEL. GOLD	22
		163083-1	1	B	163084-1	BRASS	EL. TIN	20
		PARTNUMBER		DIRECTION OF REEL	LOOSE-PIECE	MATERIAL	PLATING	

DIRECTION OFF TOP OF REEL
AMPOMATOR + MINI-APPL.
107-3-F16.1 A
107-3-F16.2 B
107-3-F16.4 C

AZ1	ECO-10-000445	KK	HMR	19JAN10
AZ	EBD0-0003-05	AM	FWK	05/01/05
AY	EBD0-0335-04	JMS	FWK	02/08/04
V	EH-1020-98	D.K.	R.V.	08 JUL 98
U	EH-1347-96	JvL	RV	21-11-96
T	EH-0302-94	JvL	MVD	03-05-94
S	ECN H-9813	JvdH	RD	18-05-92
LTR.	REVISION RECORD	DR.	CHK.	DATE

CUSTOMER DRAWING FOR REFERENCE ONLY
WILL NOT BE UPDATED
© COPYRIGHT 19- BY AMP HOLLAND B.V.
ALL INTERNATIONAL RIGHTS RESERVED. AMP PRODUCTS MAY BE
COVERED BY U.S. AND FOREIGN AND/OR PATENTS PENDING.
THIS DRAWING IS UNPUBLISHED
RELEASED FOR PUBLICATION _____, 19____



NAME
SOCKET TYPE III CONTACT
SIZE 16

DR.:	-	CHK.:	-	APP.:	-	DWG. No.	163083	REV. LTR.	AZ1	SHEET	1 OF 1	A3
DATE:	-	DATE:	-	DATE:	-							