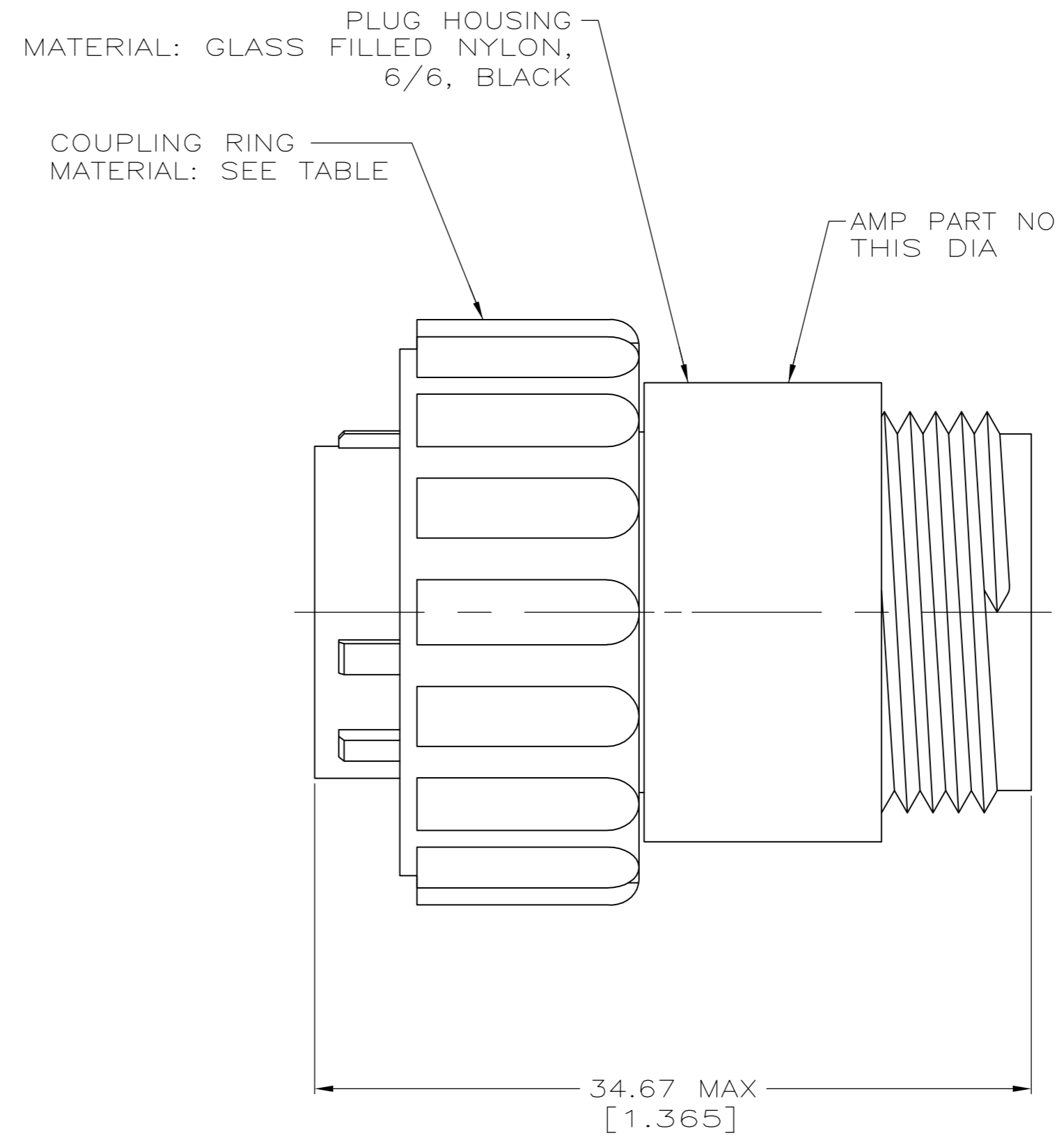
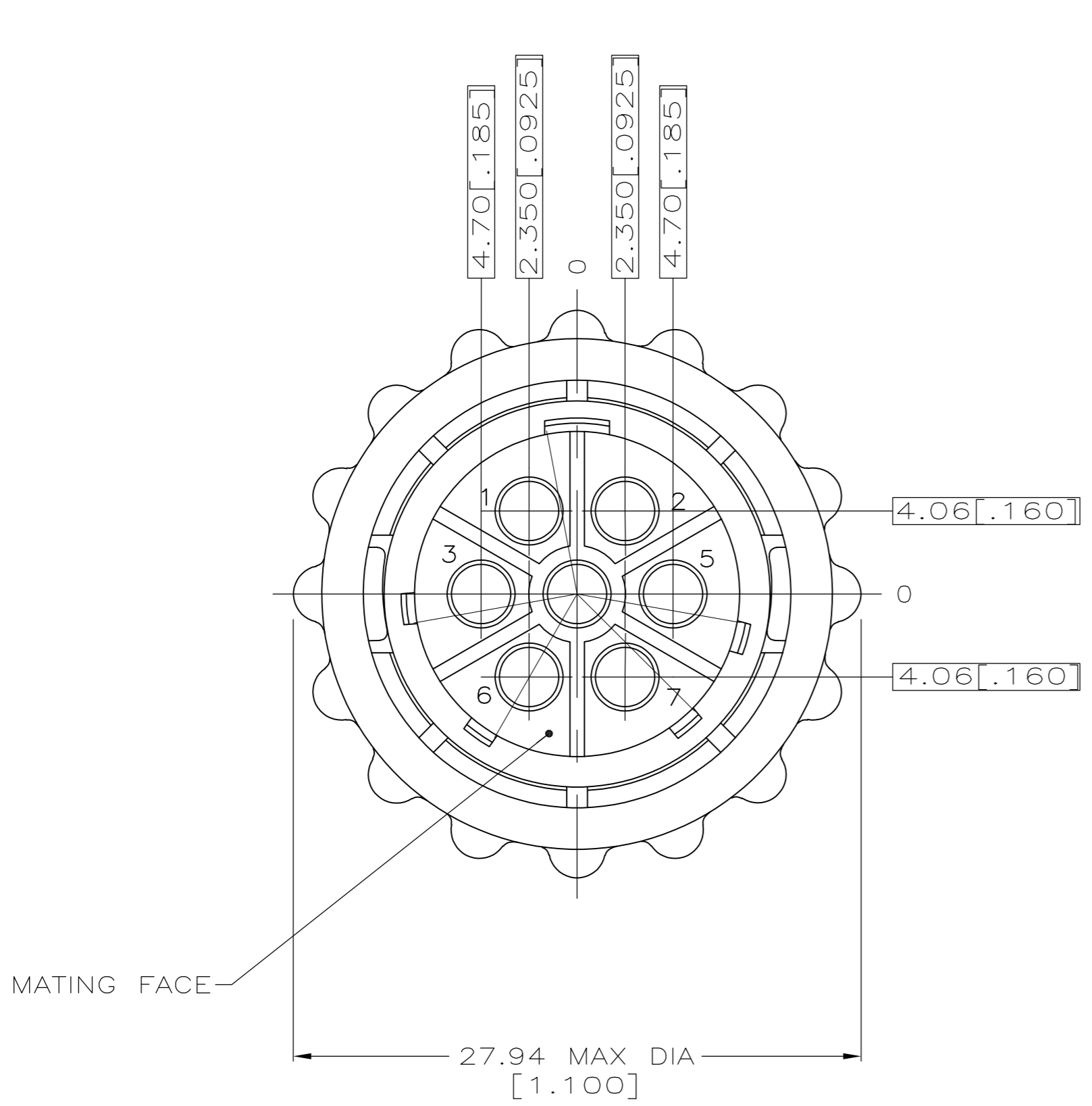


THIS DRAWING IS UNPUBLISHED. RELEASED FOR PUBLICATION  
 © COPYRIGHT - By - ALL RIGHTS RESERVED.

LOC	DIST	REVISIONS			
P	LTR	DESCRIPTION	DATE	DWN	APVD
FT	0				
	D4	REVISED PER ECO-13-006250	12APR2013	KH	ZM



- 1 CONTACT CAVITIES IDENTIFIED BY CHARACTERS ON FRONT AND REAR FACES OF CONNECTOR.
- 2 WILL ACCEPT SEVEN (7) MULTIMATE PIN CONTACTS.
- 3 OBSOLETE PARTS: OBSOLETE CIS STREAMLINING PER D.RENAUD/D.SINISI
- 4 COMPARATIVE TRACKING INDEX OF PLUG HOUSING MATERIAL PER UL746A = 400 MIN.

3	OBSOLETE	DIE CAST ZINC	-211400-2
		POLYESTER, BLACK	211400-1
		COUPLING RING MATERIAL	PART NUMBER

THIS DRAWING IS A CONTROLLED DOCUMENT.		DWN D.HARDY 07-01-94	<b>TE</b> TE Connectivity	
DIMENSIONS: INCHES		CHK R.STONE 08-10-94		
TOLERANCES UNLESS OTHERWISE SPECIFIED:		APVD -	NAME	
0 PLC ± -		PRODUCT SPEC -	VDE PLUG ASSEMBLY, REVERSE SEX, 13-7, CPC	
1 PLC ± -		APPLICATION SPEC -	SIZE A2	CAGE CODE 00779
2 PLC ± -		WEIGHT -	DRAWING NO C-211400	RESTRICTED TO -
3 PLC ± -		CUSTOMER DRAWING	SCALE 4:1	SHEET 1 of 1
4 PLC ± -			REV D4	
ANGLES ± -				
FINISH -				