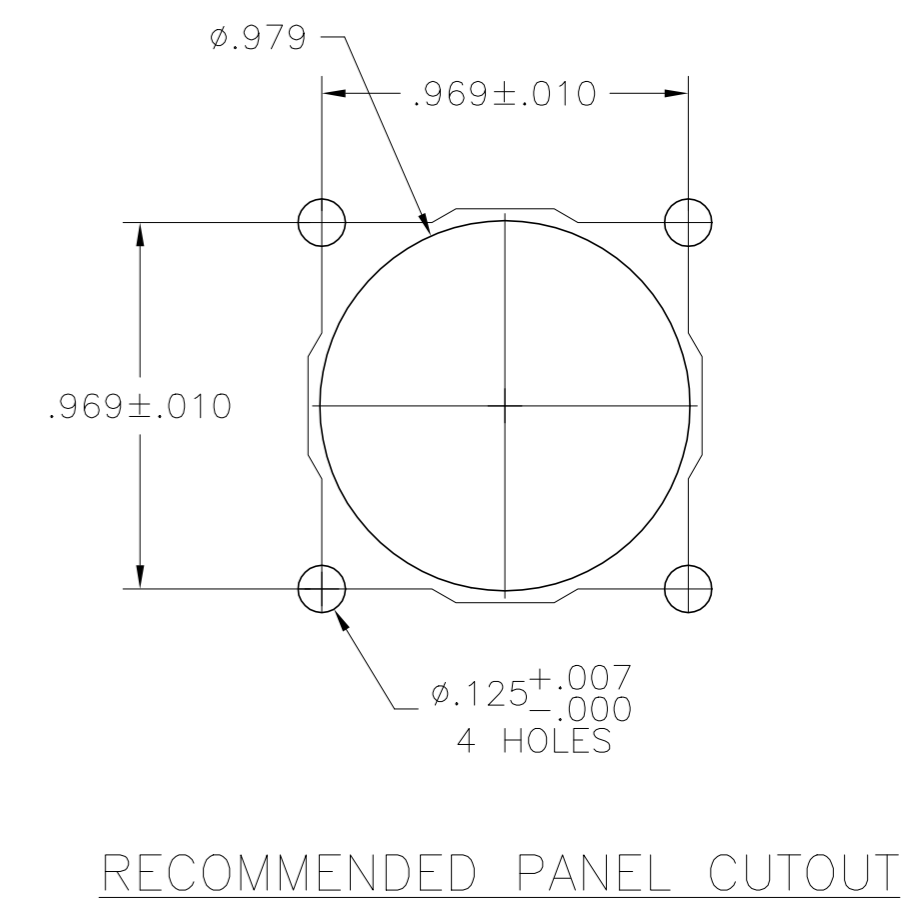
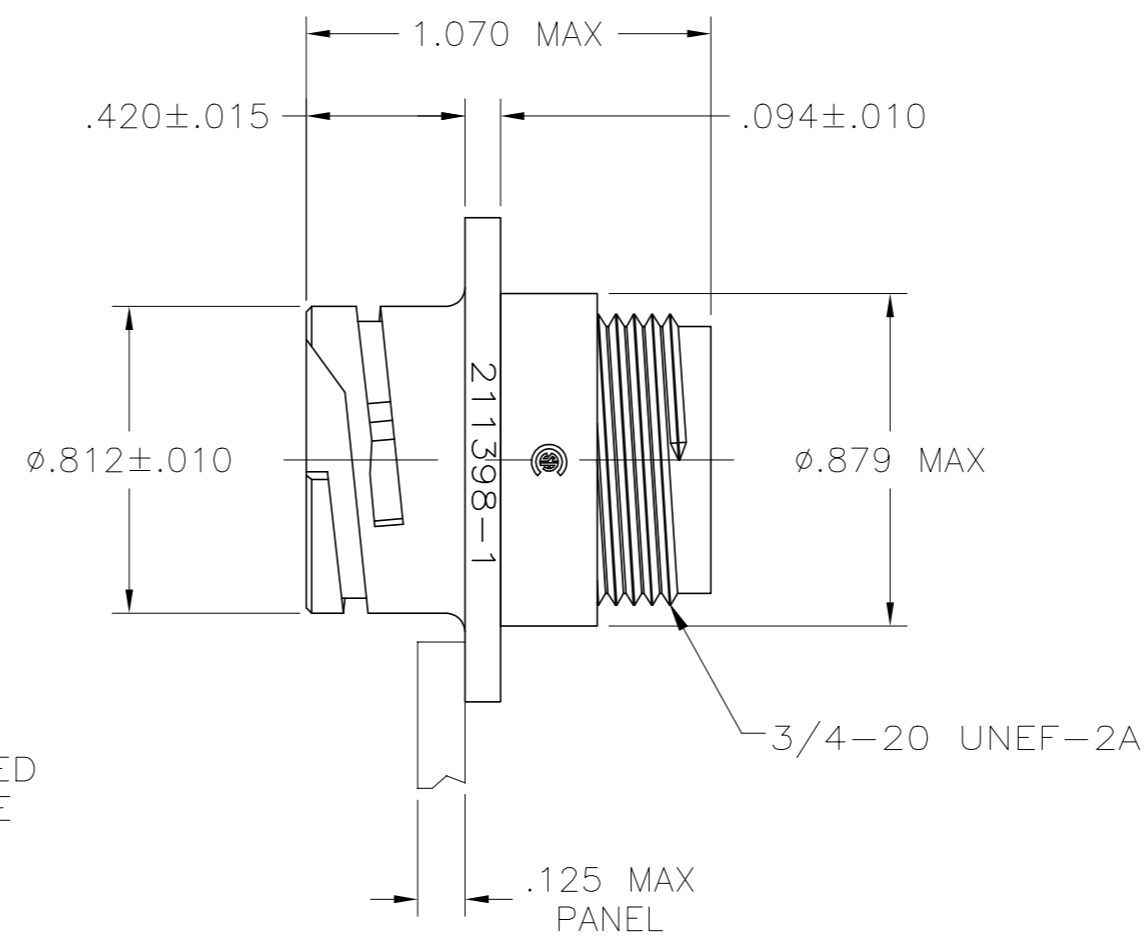
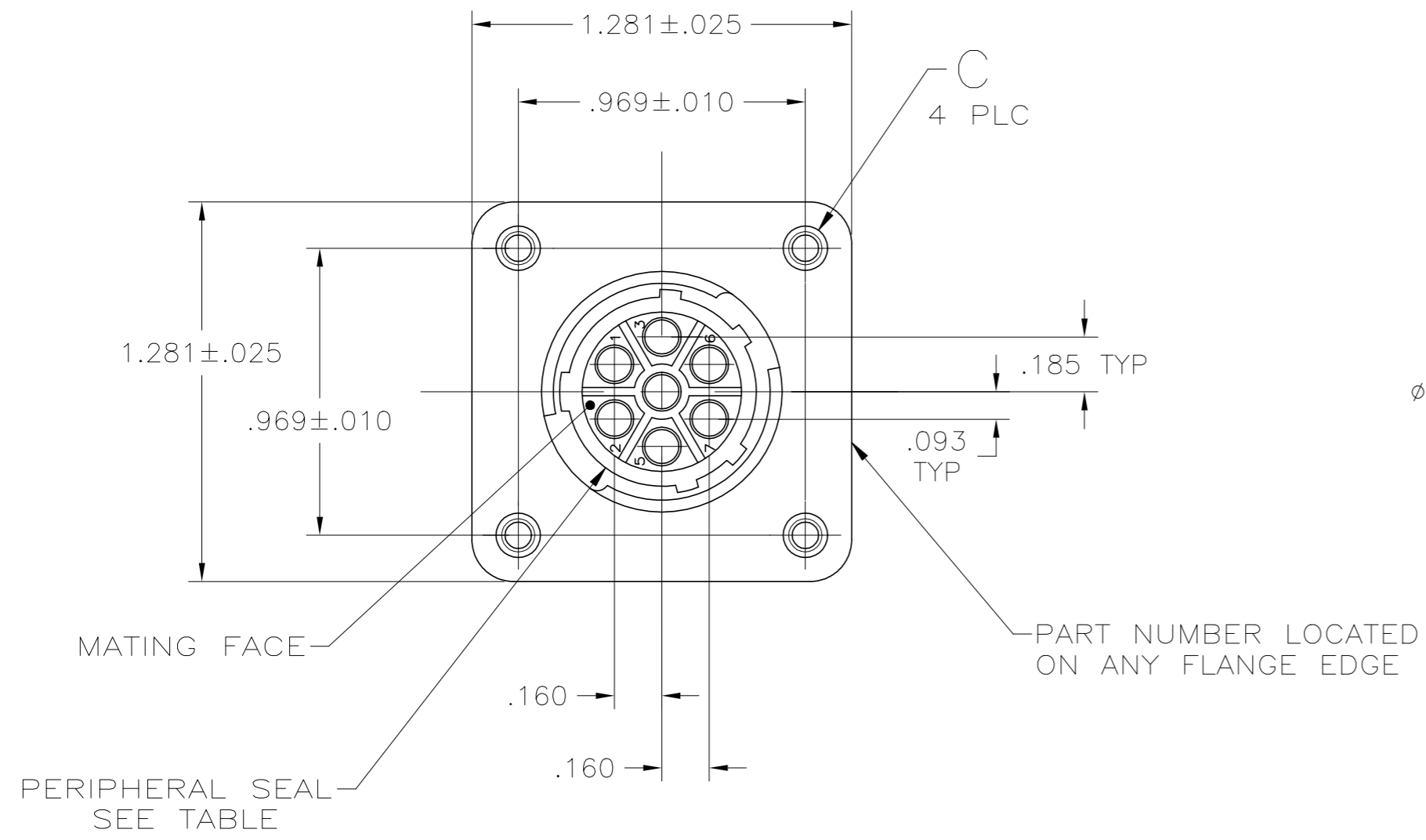
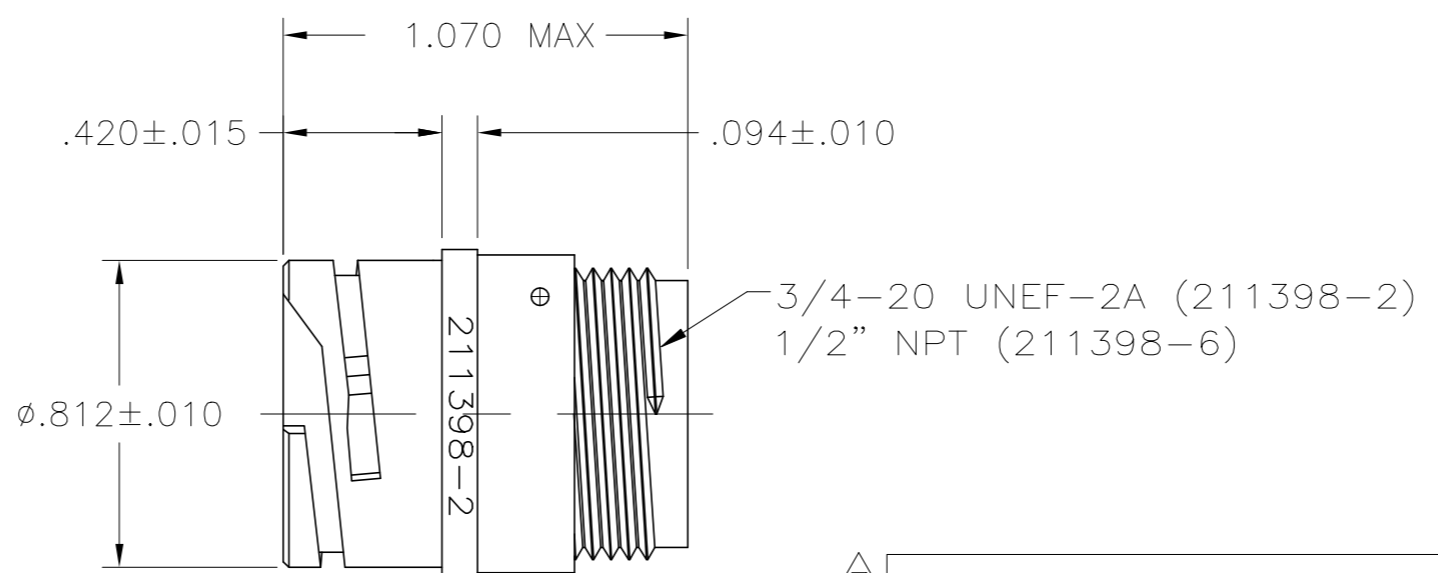
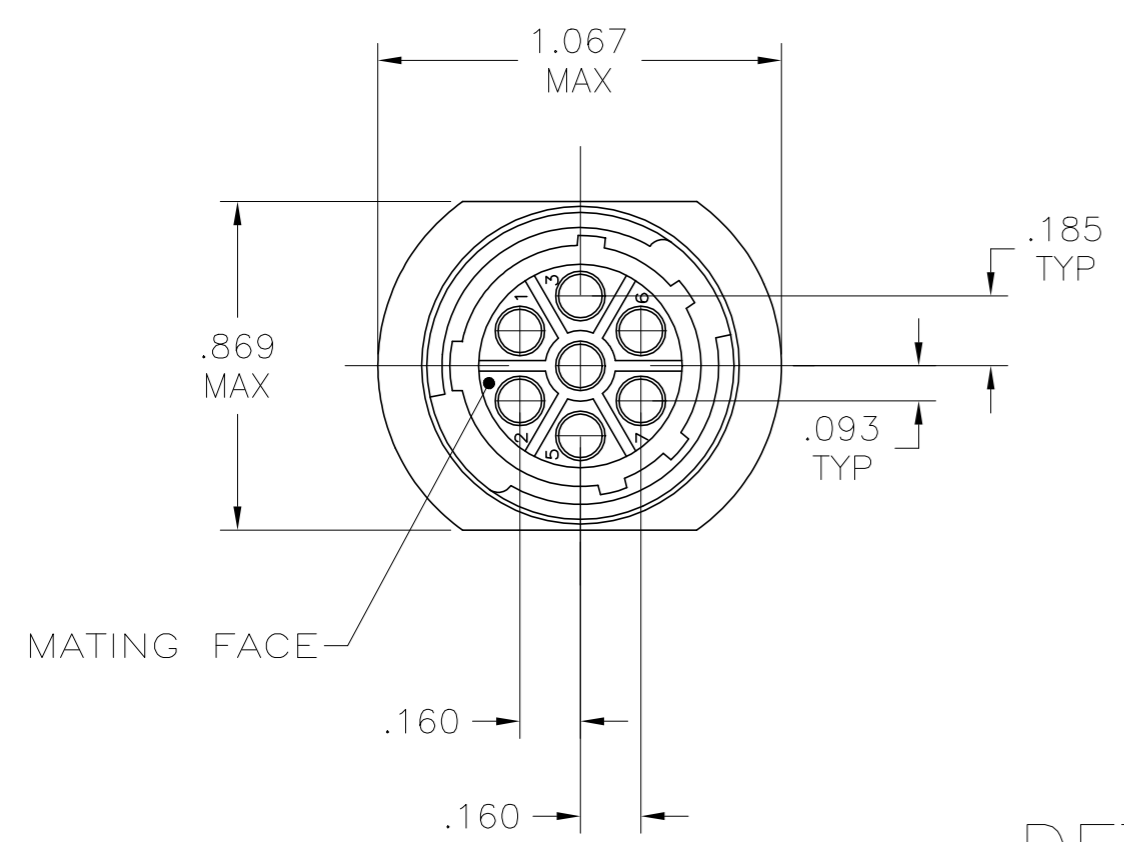


THIS DRAWING IS UNPUBLISHED. RELEASED FOR PUBLICATION  
 © COPYRIGHT - By - ALL RIGHTS RESERVED.

REVISIONS					
P	LTR	DESCRIPTION	DATE	DWN	APVD
L		REVISED PER ECO-17-000037	10MAR2017	RS	MZ
M		REVISED PER ECO-18-018811	30NOV2018	RS	MZ
N		REVISED PER ECO-19-011876	09AUG2019	RS	MZ



DETAIL A



DETAIL B

3	-	NO	B	211398-6
3	4-40 THREADED INSERTS	YES	A	211398-5
	4-40 THREADED INSERTS	NO	A	211398-4
	$\phi.125\pm.005$	YES	A	211398-3
	-	NO	B	211398-2
	$\phi.125\pm.005$	NO	A	211398-1
C		PERIPHERAL SEAL	SEE DETAIL	PART NUMBER

- NOTES:**
- CAVITY IDENTIFICATION ON FRONT AND REAR FACE.
  - WILL ACCEPT SEVEN (7) MULTIMATE SOCKET CONTACTS.
- 3** OBSOLETE PART NUMBER.

4 COMPARATIVE TRACKING INDEX OF HOUSING MATERIAL PER UL746A=400 MIN.

THIS DRAWING IS A CONTROLLED DOCUMENT.

DIMENSIONS: INCHES	TOLERANCES UNLESS OTHERWISE SPECIFIED:	DWN: D.HARDY 07-27-94	CHK: R.STONE 08-10-94	TE Connectivity Ltd.	
	0 PLC ± -	APVD: A.FRANTUM 10-03-94	NAME	RECEPTACLE, HOUSING, REVERSE SEX, 13-7, CPC	
	1 PLC ± -	PRODUCT SPEC		SIZE	A2
	2 PLC ± .005	APPLICATION SPEC		CAGE CODE	00779
	3 PLC ± -			DRAWING NO	C=211398
	4 PLC ± -			RESTRICTED TO	-
	ANGLES ± '30'			SCALE	2:1
MATERIAL: NYLON, BLACK	FINISH: -	WEIGHT: -	CUSTOMER DRAWING	SHEET	1 of 1
				REV	N