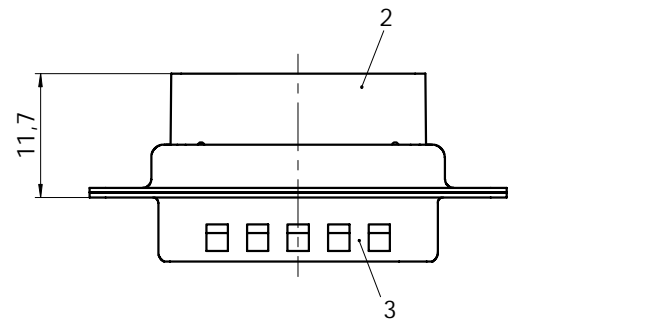


# Fy<sup>\*1)</sup> xx<sup>\*2)</sup> P7-K120

e.g. FL25P7-K120

- \*1) y for series FL or FU
- \*2) xx No. of contacts 09, 15, 25 or 37



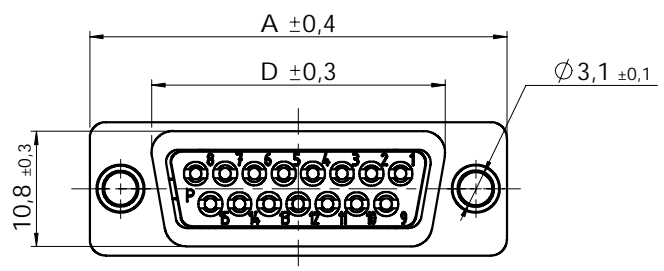
xx	A [mm]	B [mm]	C [mm]	D [mm]
09	30,8	16,9	25	19,3
15	39,1	25,2	33,3	27,5
25	53	38,9	47,04	41,3
37	69,3	55,3	63,5	57,7

Technical data for modification -K120 (FU)  
Crimp contacts FK20S (AWG 20-24/1,3µm Au) included in delivery

No.	St.	Part	Type Description/Material	Surface plating/Colour/Class
3	1	Shell	Steel	tin plated
2	1	Insulator rear part	PI (-55°C - +130°C)	green
1	1	Insulator front part	PBTP	green

Technical data for modification -K120 (FL)

No.	St.	Part	Type Description/Material	Surface plating/Colour/Class
3	1	Shell	Steel	tin plated
2	1	Insulator rear part	PA66 (-55°C - +115°C)	black
1	1	Insulator front part	PBTP	black



COMMENT: ALL RIGHTS ARE RESERVED BY US FOR THIS DRAWING. WITHOUT OUR PRIOR CONSENT, THIS DRAWING IS NOT TO BE REPRODUCED, COPIED, OR TRANSMITTED IN ANY FORM AND IT ALSO MAY NOT BE IMPROPERLY USED BY A RESELLER, OR A THIRD PARTY.

Measurement without tolerance occ. to ISO 2768-m SCALE 2:1 DATE 21-11-2003 NAME Denzinger CHECKED 21-11-2003 fflößmann	TITLE <h3>D-Sub Crimp Connector</h3>		DWG.NO. <h2>FyxxP7-K120</h2>	REV. 1		
					ORIGINAL: DIN A3-DRAWING AS A FILE	
					REPLACEMENT FOR: FyxxP7-K120 a	
					PAGES 1	