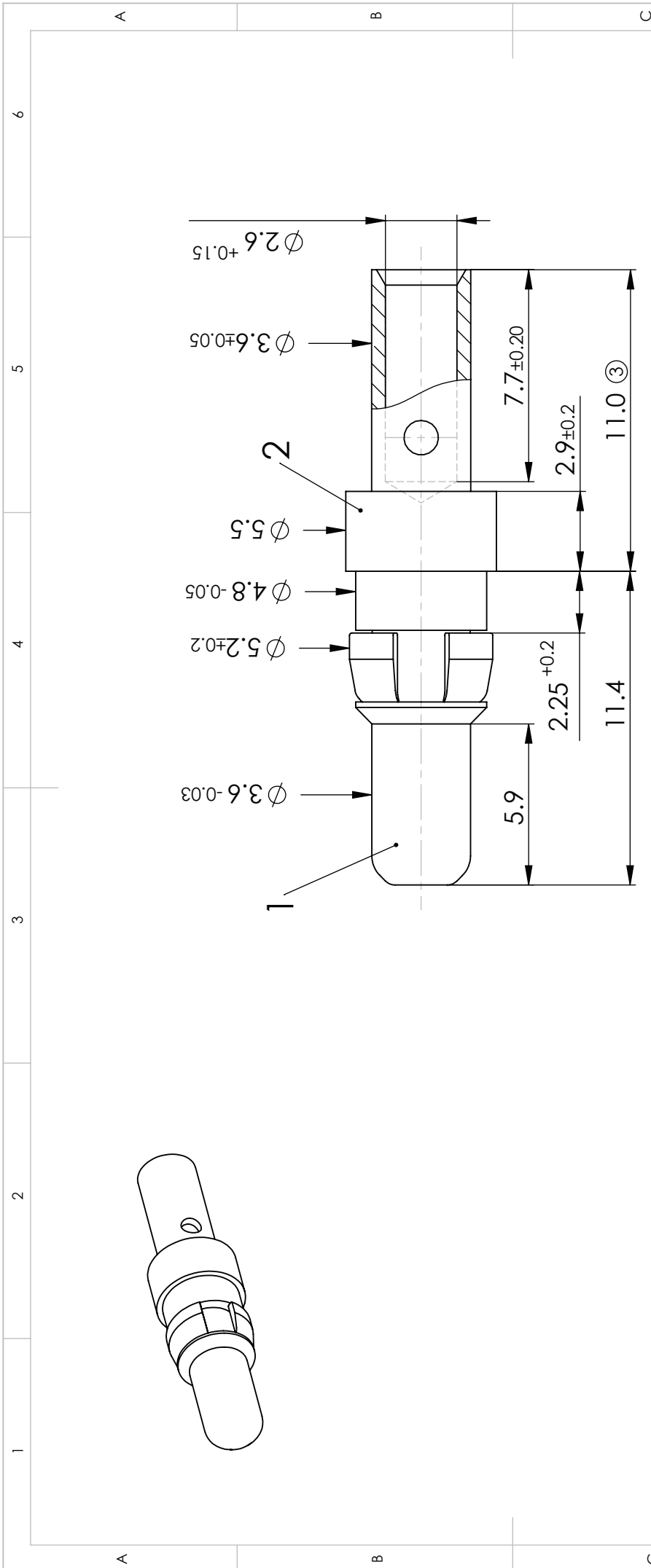


COMMENT:  
ALL RIGHTS ARE RESERVED BY US FOR THIS DRAWING. WITHOUT OUR PRIOR CONSENT,  
IT MAY NEITHER BE DUPLICATED NOR MADE AVAILABLE TO A THIRD PARTY.  
AND IT ALSO MAY NOT BE IMPROPERLY USED BY THE RECEIVER, OR A THIRD PARTY.



Text No. W-4

**FCT tools:**

Hand tool: M309

Pneumatic crimp tool: WA27-309

Die: SP994

Selector Number:  
AWG 12 / SEL. 5  
AWG 14 / SEL. 4

CURRENT	20 A	HIGH POWER CONTACT	SCALE	5:1	DATA SHEET
FOR	D-Sub	NAME / DATE			
DIMENSIONS IN MM		Steinbrück			
MATERIAL + FINISH SEE EXTRA SHEET		14-05-2003			
UNLESS OTHERWISE SPECIFIED DIMENSIONS FOR REFERENCE ONLY		fuhmann			
		15-12-2006			
REV. 3	12-04-2007	11507	PART NO. FMP003P		
	DATE	INDEX	REPLACEMENT FOR:		
			REV. 3		
			PAGE: 1/1		



a mollex company

ORIGINAL: DIN A4-DRAWING AS A FILE