

NH Series (SCSI-2/-3)

IDC Type Plastic Plug for Internal Use (1.27mm Pitch)

Specifications

Insulation Resistance: 500MΩ min.
 Withstanding Voltage: 250V AC rms for 1 minute
 Contact Resistance: 35mΩ max.
 Current Rating: 1A
 Operating Temp. Range: -55°C to +105°C

Materials and Finish

Housing: PBT with glass fiber
 Contacts: Phosphor Bronze

Plating: Mating Face - Au over Nickel
 IDC Terminals - Solder over Nickel



Features

- Half pitch interface connectors with SCSI-II pin type contacts
- Low cost due to plastic insulator housing



Part Number (Details)

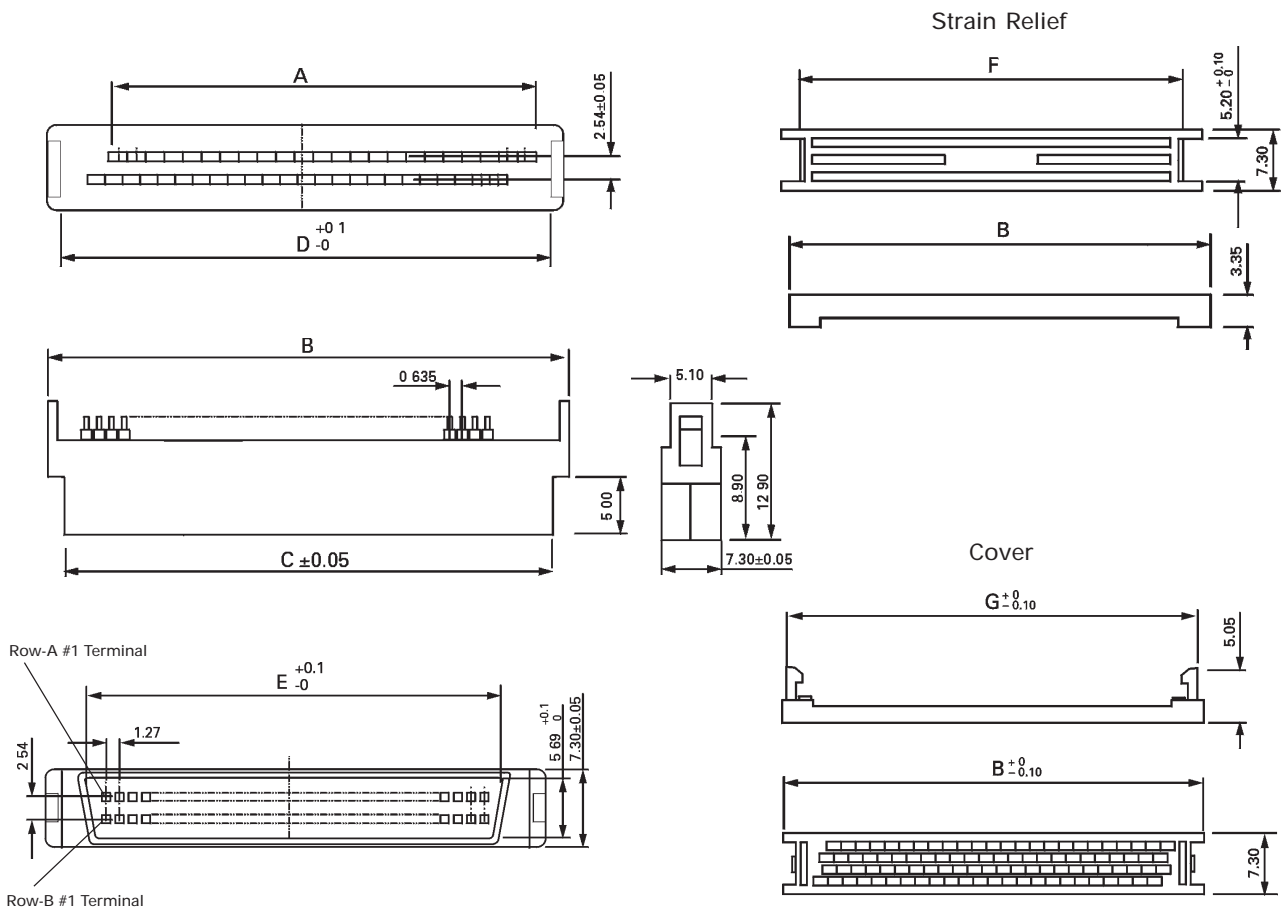
NHP 068T - 000 - BS

Series (plug)	
No. of Leads	
Terminal Type:	
0 = IDC for Flat Cables	
Contact Plating:	
B = Mating Face Cont.- Au (15μ") over Ni	
S = IDC Terminals - Solder over Ni	

Applicable Cables

0.635mm pitch flat cable, AWG 30 (7/0.1) stranded wire. (e.g. FLEX-*2*, see Section E)

Outline Plug Dimensions



Part Number	No. of Leads	A	B	C	D	E	F	G
NHP050T-000-BS	50	30.48	40.07	36.22	37.87	34.85	35.67	37.77
NHP068T-000-BS	68	41.91	51.50	63.88	49.30	46.13	47.10	49.20

NHA Series

Over-molded Cover - SCSI-3 (180° Cable Exit)

Screw Lock Type Cover



Part Number (Details)

NHA 068 S - PC 01 - *

Series No.	
No. of Leads	
Mating Lock Type: S = Screw Lock	
Type of Cover = Over-molded Metal Cover	
01 = For I/O Cables	
Cover Colour: 0 = Beige 1 = Grey 2 = Black	

Materials and Finish

Hood: ABS, UL94V-0 rated
Metal Parts: ZDC, Nickel Plated

Features

- Applicable cable outer diameter: 9.5 to 10.5mm
- Shielded and Over-molded cover for EMI / ESD protection

Outline Dimensions

